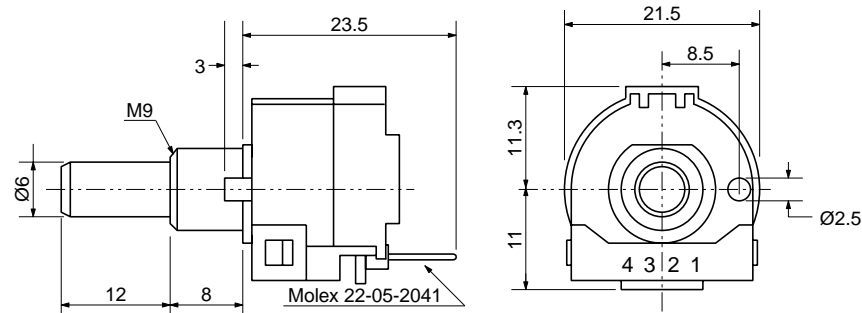
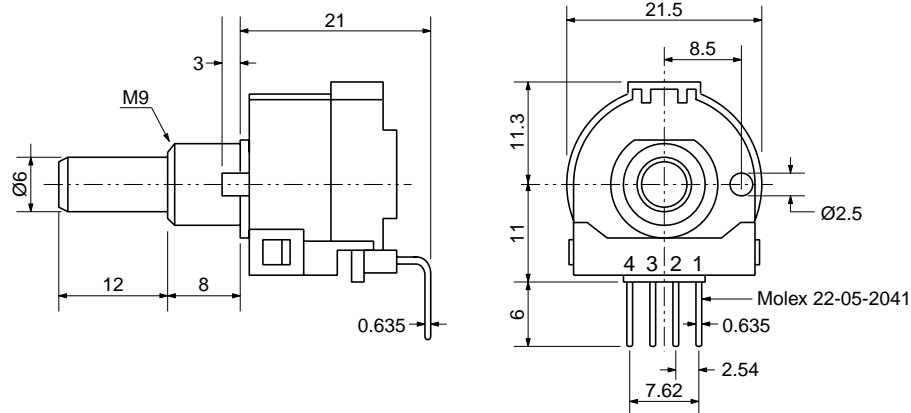


PANEL/PCB MOUNT

High Resolution

- ✓ Economical
- ✓ Metal Shaft
- ✓ Low Current
- ✓ Rugged Design

Panel Mount/Right Angle (S) Type



Panel Mount/Straight (T) Type

SPECIFICATIONS

ELECTRICAL

1. Input Voltage: 5.0 VDC $\pm 5\%$
2. Current Consumption: 26mA nominal; 30mA max.
3. Output Voltage: High: 4.2Vmin
Low: 0.4Vmax
4. Max. Freq. Response: 500 Hz

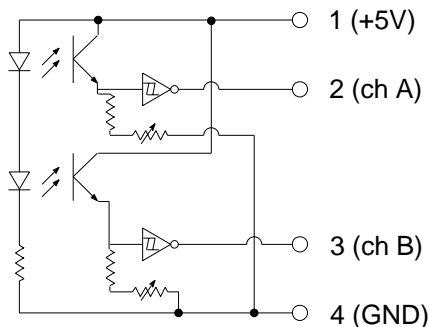
MECHANICAL

1. Max Shaft Load, radial: 1.0 kgf
axial: 1.0 kgf
2. Rotational Angle: 360° continuous
3. Starting Torque: 50 gf•cm max.
4. Rotational Life: 2.5×10^6 cycles

ENVIRONMENTAL

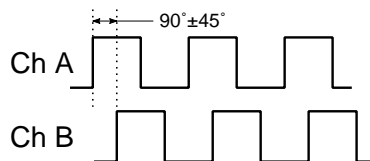
1. Operating Temp: 0° to +60° C
2. Storage Temp: -20° to +80° C
3. Humidity: 85% RH, no condensation
4. Vibration: 10 - 55 Hz, 1.5 mm, 2 hrs
5. Shock: 50G, 6ms, 3 axes, 3 reps

OUTPUT CIRCUIT



OUTPUT WAVEFORM

Counter clockwise rotation viewed from front



STANDARD RESOLUTIONS

EC202AXXX

025	25 P/R	050	50 P/R
075	75 P/R	100	100 P/R
128	128 P/R		

Resolutions are stated in cycles per revolution and can be resolved to 4x the cycle resolution (25 = 100, 100 = 400, etc.)

ORDERING INSTRUCTIONS

EC202AXXXA2XD

Resolution:	Pin Orientation:
025 = 25PPR	S = Right Angle
075 = 075PPR	T = Straight
100 = 100PPR	
128 = 128PPR	



C U I Stack, Inc.
9615 SW Allen Blvd. #103
Beaverton, OR 97005
Tel: 503/643-4899 FAX: 503/643-6129



DRAWN BY JAS	UPDATED 06/08/00	CHECKED 06/08/00	RELEASED
PART NO. EC202AXXXA2XD			REV. A