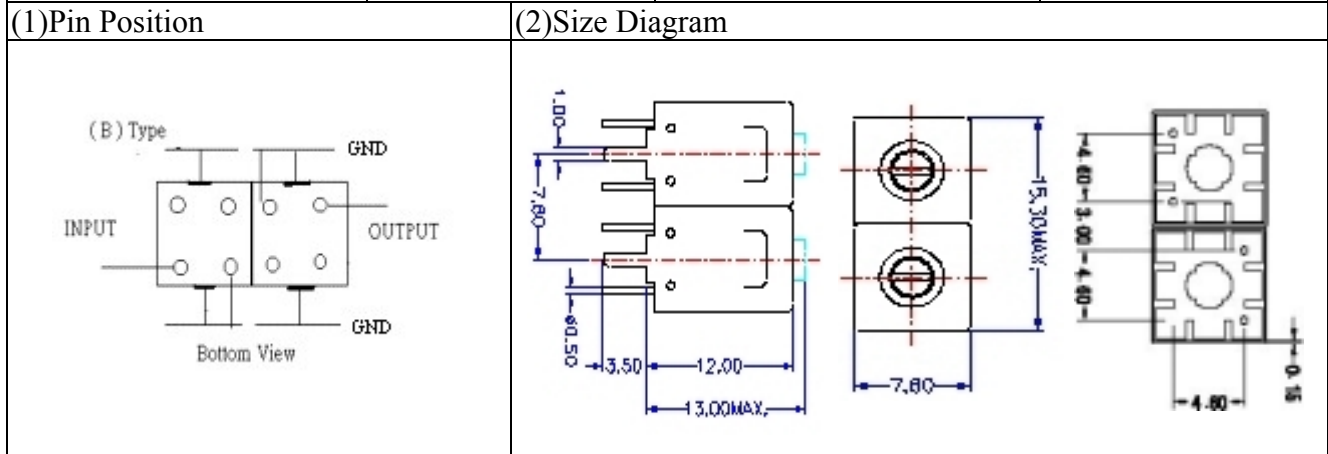


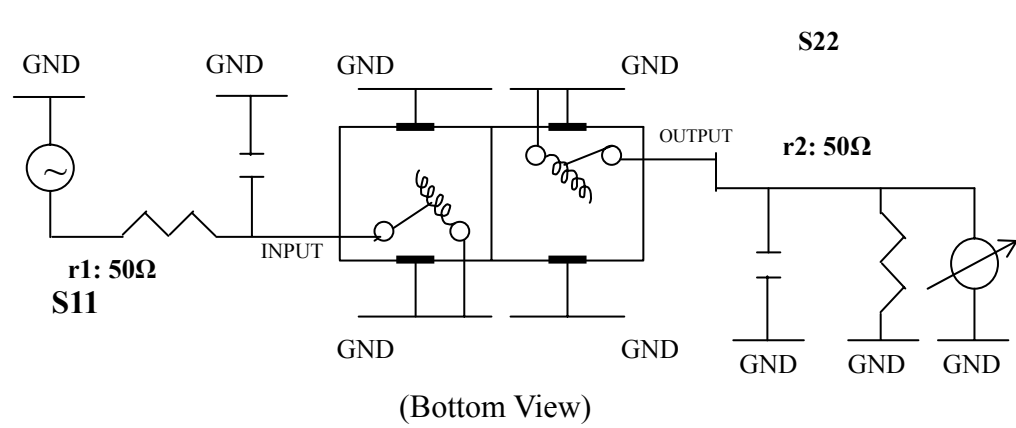
VHF UHF Helical Filter Specification Sheet

Customer Name		Temwell's Part No.	K2B-453M-20M
Approval No. /dated	201007111CD	Temwell's print Name.	K2B 453M
Work Instruction No.	201007111CD	Date	Jul.14.2010



(3)Electric Charasteric	
Item	Specify
Center Freq.(Fo) +/- 0.75 %	453 MHz
Insertion Loss	Typ. 2.0 dB
-3 dB Bandwidth	Typ. 20 MHz
Sensitivity (Attenuation)	Fo - 50 MHz Typ. 25 dBc
	Fo + 50 MHz Typ. 17 dBc
	Fo - ()MHz Typ. dBc
	Fo +()MHz Typ. dBc
Return Loss	Min. 12 dB
Ripple	< 1 dB
Impedance	In / Out : 50 Ω
(4)Torque for Tuning Screw	> 60gf cm
(5)Temperature Condition:	
Operating Temperature	-30 ~ +70
Storage Temperature	-30 ~ +80
(6)Input Power	> 1Watt

(7)Measuring Circuit: Easy to match Impedance S11/S22 50Ω by parallel with about (--) .



Approval C.Y.Chang	Supervisor C.K.Chang	Designer P.H.Chiang	Aperture size 7H2S(4*4.65)(4.67) (7H046RB5.5)
-----------------------	-------------------------	------------------------	---

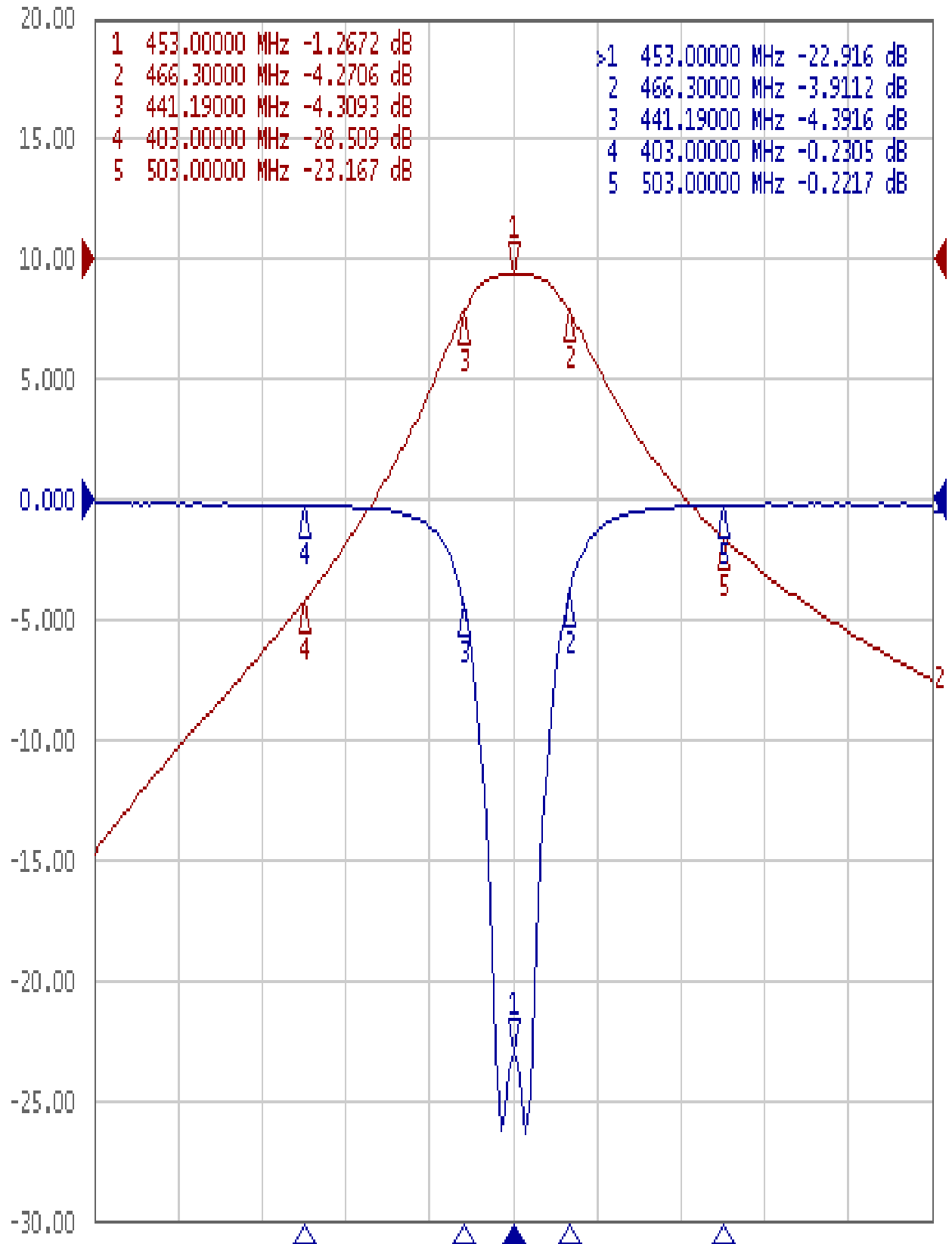
TEMWELL CORPORATION

Performance-K2B-453M-20M

201007111CD

Tr1 S11 Log Mag 5.000dB/ Ref 0.000dB [F2]

Tr2 S21 Log Mag 10.00dB/ Ref 0.000dB [F2]



1 Center 453 MHz

IFBW 70 kHz

Span 200 MHz Cor !