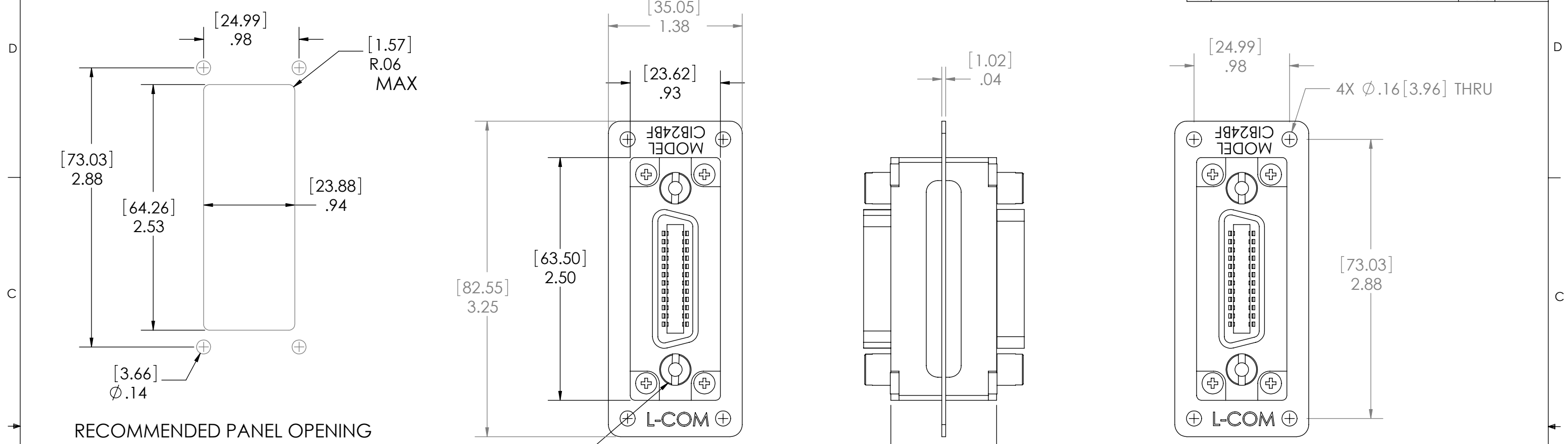


THE INFORMATION CONTAINED IN THIS DRAWING IS THE SOLE PROPERTY OF L-COM, INC. ANY REPRODUCTIONS IN PART OR WHOLE WITHOUT THE WRITTEN PERMISSION OF L-COM, INC. IS PROHIBITED.

REVISIONS			
REV	DESCRIPTION	DATE	CHANGED BY
A	RELEASED TO PRODUCTION	8/27/01	R. CARRICK
B	ECN 3322: UPDATE DWG FORMAT	5/30/08	D.GRIFFIN



RECOMMENDED PANEL OPENING

4X ISO M3.5 X .6
IEEE-488 FEMALE CONNECTOR

IEEE-488 FEMALE CONNECTOR

NOTES:

1. MATERIAL: HOUSING; CAST ALUMINUM. INSULATOR; GLASS FILLED PBT (BLUE)
U.L. 94V-0 FLAMMABILITY RATING.
2. MOUNTING FLANGE: FIBER GLASS FILLED THERMOSETTING RESIN.
3. FINISH: HOUSING; NICKEL PLATED. CONTACTS; 15 MICRO INCHES GOLD PLATE.
4. WIRING: STRAIGHT THRU.
5. TWO DUST CAPS PROVIDED WITH ADAPTOR.

PACKAGING:
INDIVIDUALLY PACKAGE IN A POLYBAG

RoHS Compliant ✓

UNLESS OTHERWISE SPECIFIED, DIMENSIONS ARE IN INCHES [mm]
OVERALL CABLE LENGTH TOLERANCE:
≤12 [305] = +1 [25] / -0
>12 [305] ≤60 [1524] = +2[51] / -0
>60 [1524] ≤120 [3048] = +4 / -0
>120 [3048] ≤300 [7620] = +6 / -0
>300 [7620] = +5% / -0%
ALL OTHER DIMENSIONAL TOLERANCES:
.X = .3
.XX = .15

APPROVALS	DATE
DRAWN BY RON CARRICK	8/17/2001
CHECKED BY DOUG PARHAM	8/27/2001
APPROVED BY C. MCCORMICK	8/27/2001

L-com 45 BEECHWOOD DRIVE
CONNECTIVITY PRODUCTS NORTH ANDOVER, MA 01845

CATEGORY IEEE-488 GPIB

PRODUCT DESCRIPTION ADAPTOR, GPIB BULKHEAD, F/F

SIZE	FSCM NO.	DWG. NO.	REV.
B	43321	CIB24BF	B

