

PC BOARD CONNECTORS

740 SERIES

■ FEATURES

- Various types of headers are available: one side shrouded, both sides shrouded, with simplified latch, and box type.
- The connector having a simplified latch prevents the connector from working loose because of vibration.
- The mini header has a clip to prevent incorrect insertion.
- A 740 series connector with a power terminal (2 in 1) for SCSI/IDE interface unit connections is also available.

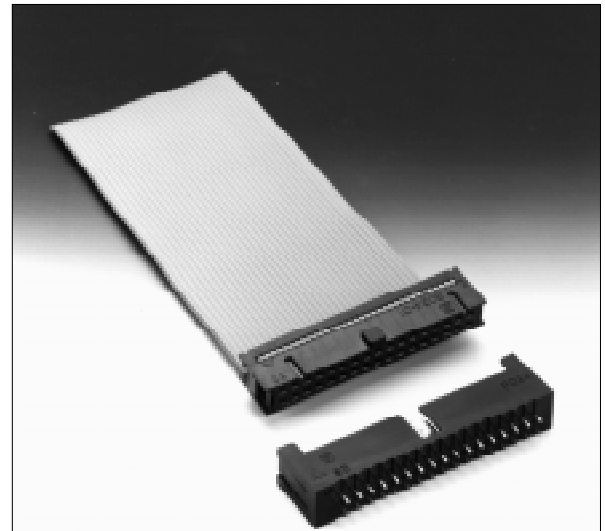
■ SPECIFICATIONS

1. Standard type

Item	Specification
Operating temperature range	-55°C to +105°C
Current rating	DC 1 A
Voltage rating	AC 250 V
Contact resistance	15 mΩ max. (DC 6 V, 0.1 A)
Insulation resistance	1000 MΩ min. (DC 500 V)
Dielectric strength	AC 500 V for 1 minute
Insertion force	3.5 kg max. (10 pins), 10.5 kg max. (30 pins)
Withdrawal force	0.25 kg min. (10 pins), 1.0 kg min. (30 pins)
Applicable wire	Flat cable: 1.27 mm (0.050 in.) pitch AWG #28 (stranded) or AWG #30 (solid)
Applicable PC board (standard)	1.6 mm

2. Power connector integrated type

Item	Specification
Operating temperature range	-55°C to +105°C
Current rating	DC 1 A (signal pin) DC 5 A (power pin)
Voltage rating	AC 250 V
Contact resistance	15 mΩ max. (signal pin, DC 6 V, 0.1 A) 10 mΩ max. (power pin, DC 6 V, 0.3 A)
Insulation resistance	1000 MΩ min. (DC 500 V)
Dielectric strength	AC 500 V for 1 minute (signal pin) AC 1000 V for 1 minute (power pin)
Insertion force	50-contact signal pin: 17.5 kg max. 40-contact signal pin: 14.0 kg max. Power pin (reference value): 8.8 kg max.
Withdrawal force	50-contact signal pin: 2.0 kg max. 40-contact signal pin: 1.5 kg max. Power pin (reference value): 0.8 kg max.
Applicable PC board (standard)	1.6 mm (0.062 in.) (through hole type)



■ MATERIALS

1. Standard type

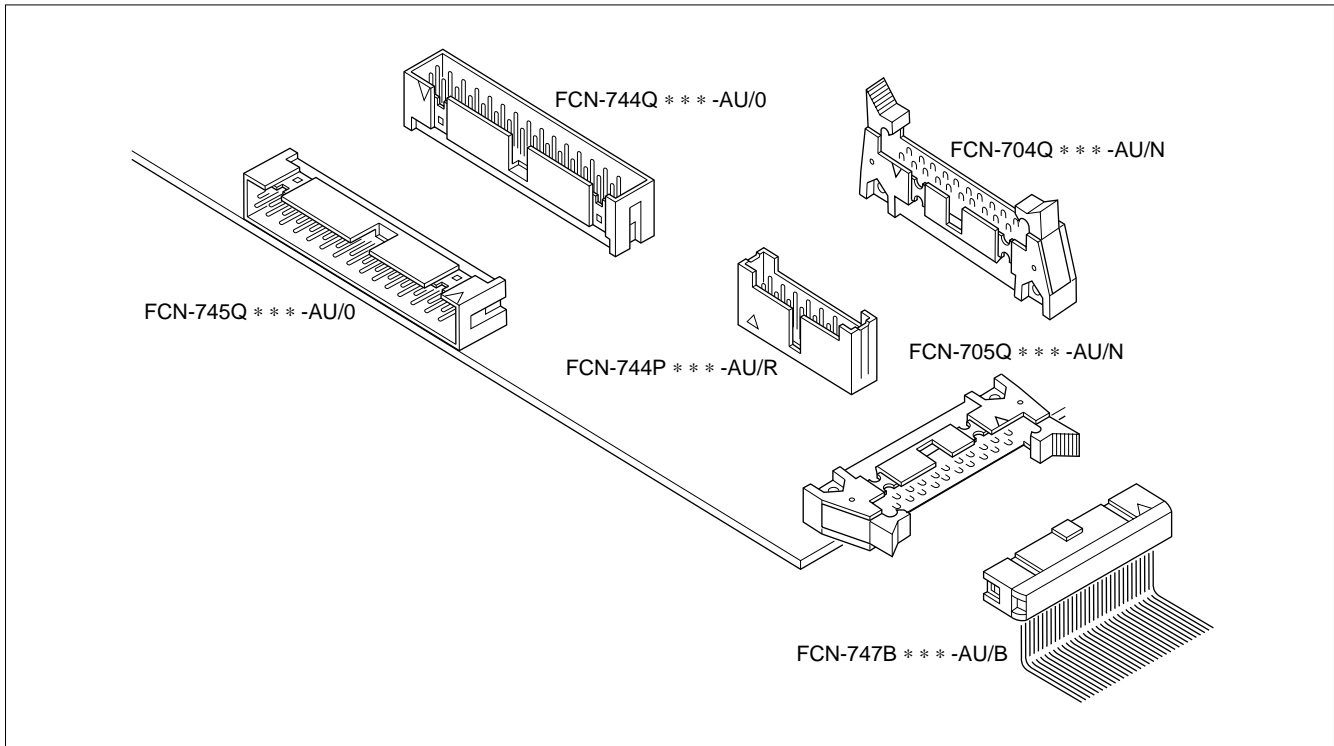
Item	Materials	
Insulating material	Polyester (UL94V-0)	
Conductor	Copper alloy	
Plating	Contact	Gold
	Terminal	Palladium

2. Power connector integrated type

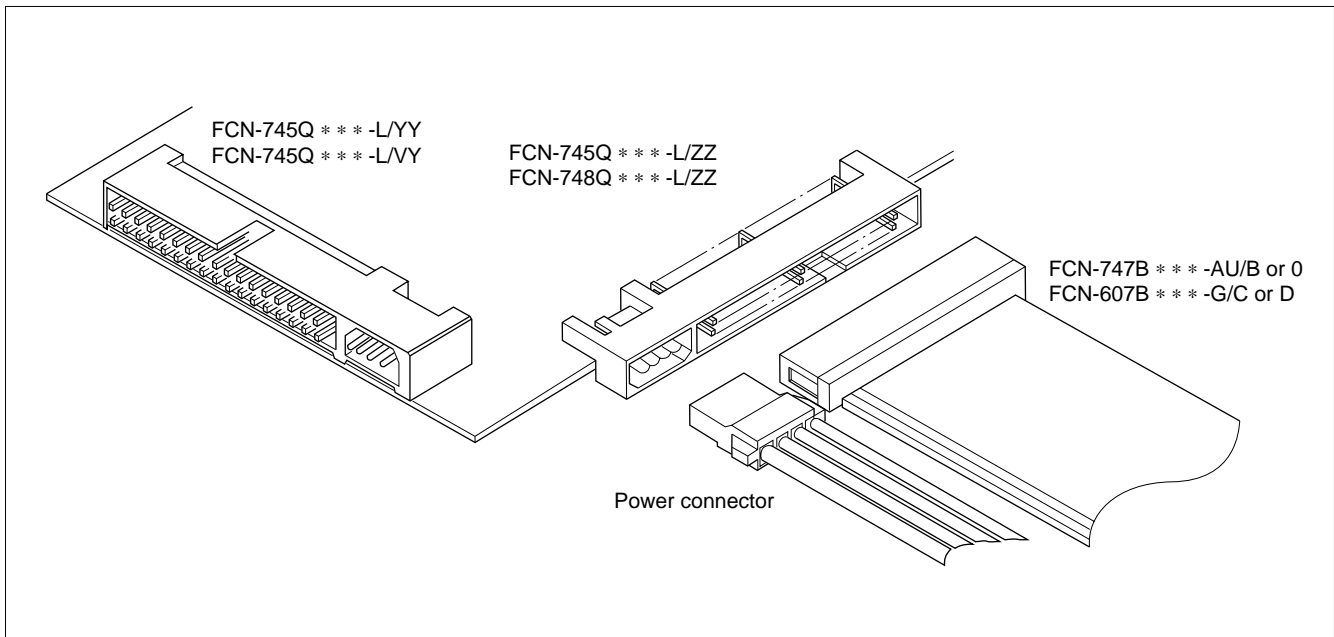
Item	Materials	
Insulating material	Through hole type: Polyester (UL94V-0) SMT type: PPS (UL94V-0)	
Conductor	Copper alloy	
Plating	Signal pin contact	Gold
	Signal pin tail	Palladium
	Power pin	Solder

■ APPLICATION EXAMPLE

1. Standard type



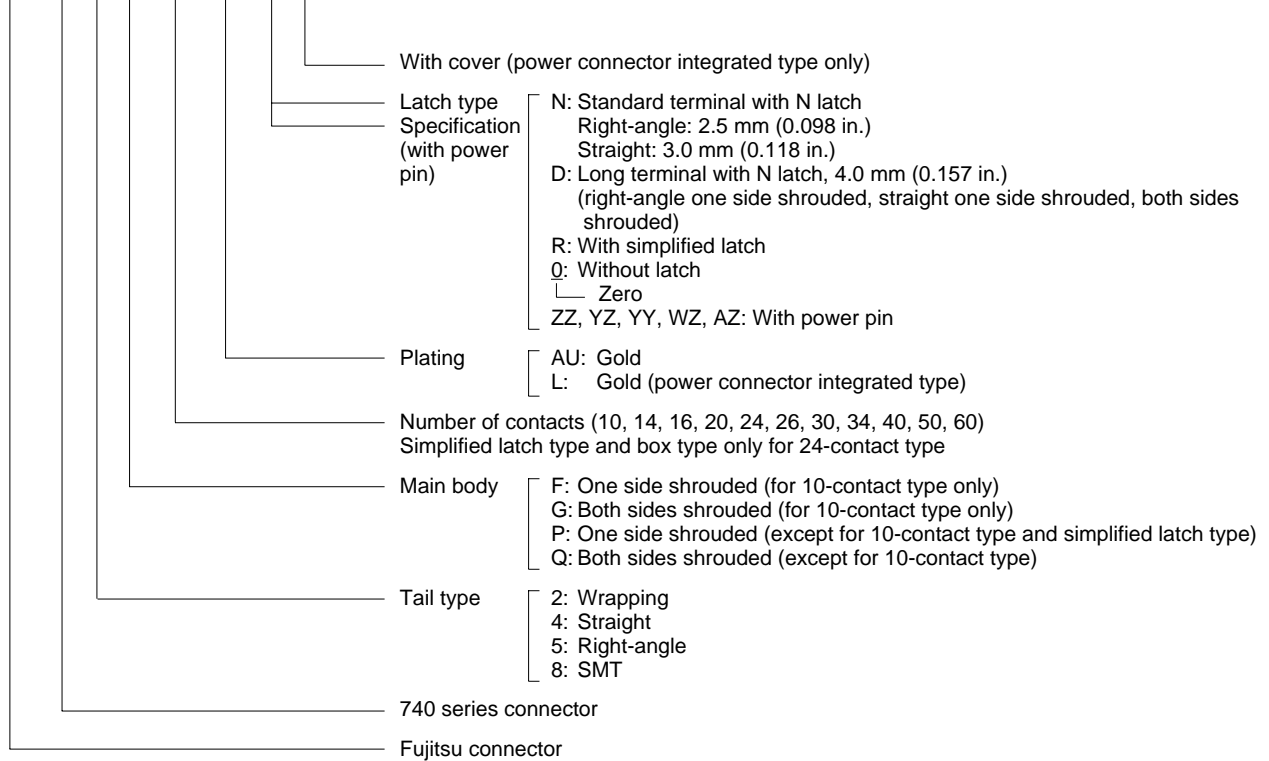
2. Power connector integrated type



■ ORDERING CODE

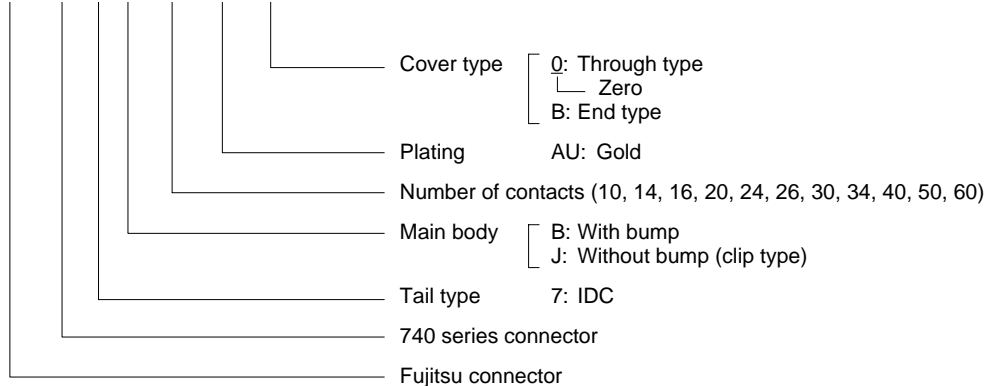
1. Header

FCN-74 5 Q 050-AU / 0-0C



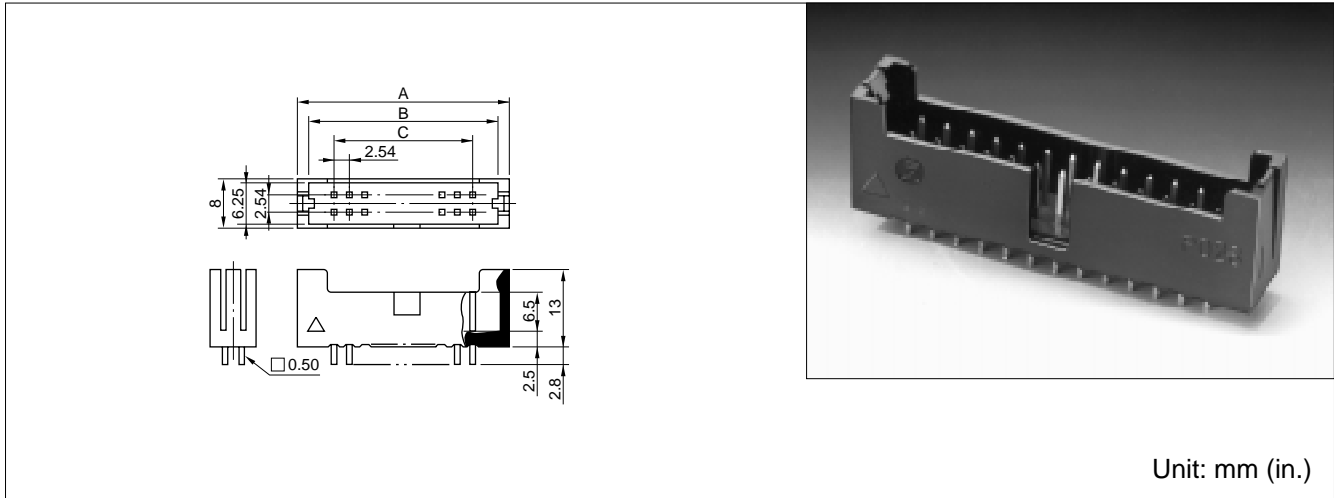
2. Socket

FCN-74 7 B 040-AU / B

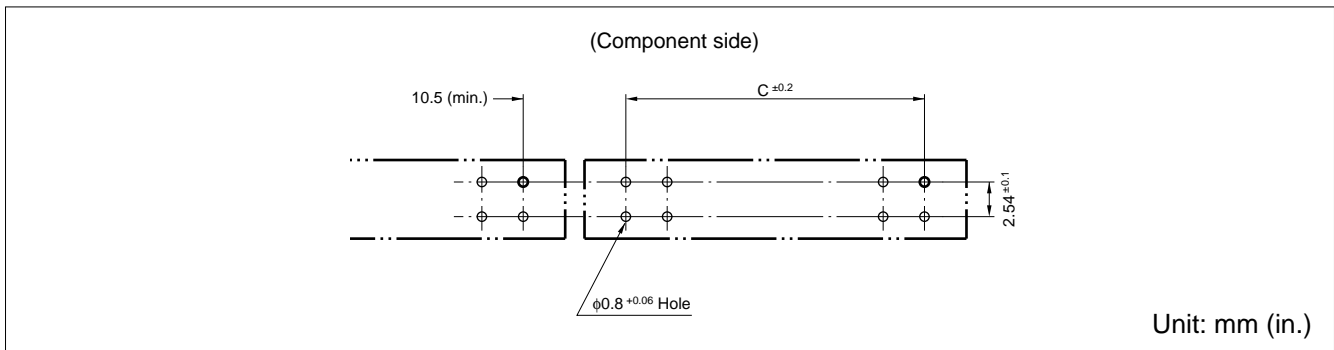


STRAIGHT PLUG (WITH SIMPLIFIED LATCH)

■ DIMENSIONS



■ MOUNTING HOLE LAYOUT

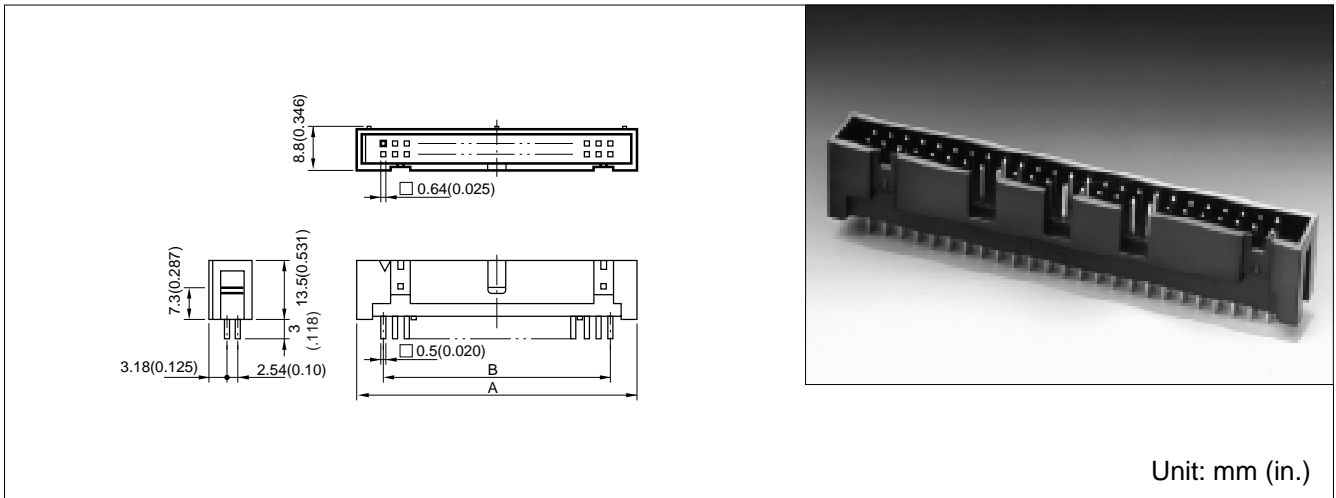


■ PART NUMBERS AND DIMENSIONS

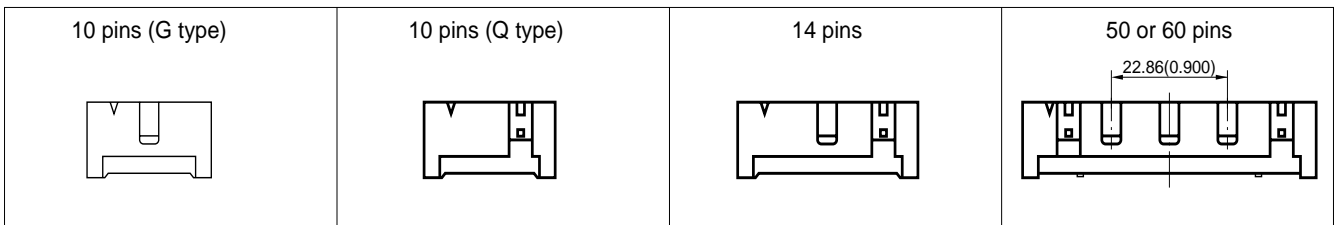
Number of contacts	Part number	Mini header		
		Dimensions: mm (in.)		
		A	B	C
10	FCN-744P010-AU/R	20.12	17.72	10.16
14	FCN-744P014-AU/R	25.20	22.80	15.24
16	FCN-744P016-AU/R	27.74	25.34	17.78
20	FCN-744P020-AU/R	32.82	30.42	22.86
24	FCN-744P024-AU/R	37.90	35.50	27.94
26	FCN-744P026-AU/R	40.44	38.04	30.48
30	FCN-744P030-AU/R	45.52	43.12	35.56
34	FCN-744P034-AU/R	50.60	48.20	40.64

STRAIGHT PLUG (BOX TYPE)

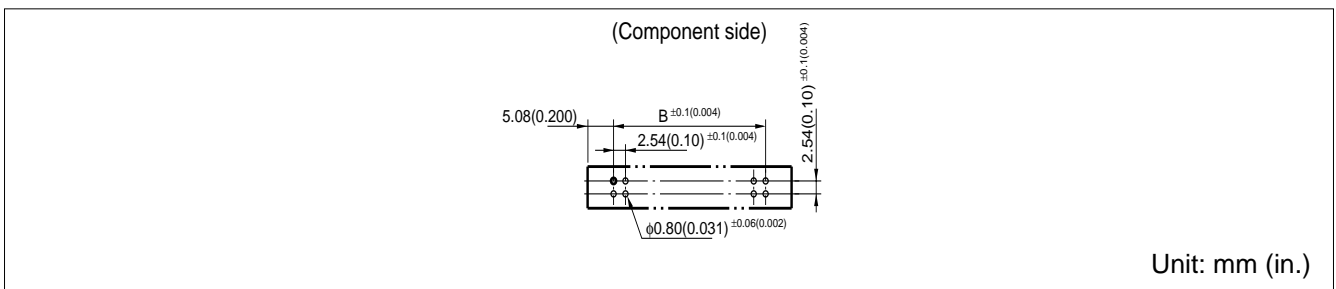
■ DIMENSIONS



■ CONFIGURATION BY THE NUMBER OF PINS



■ MOUNTING HOLE LAYOUT

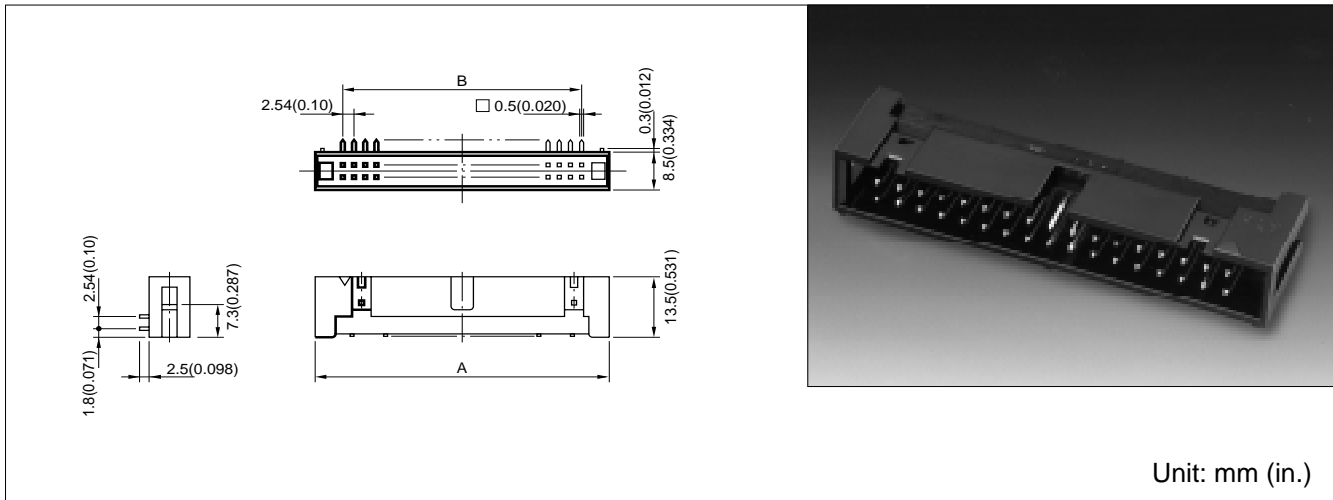


■ PART NUMBERS AND DIMENSIONS

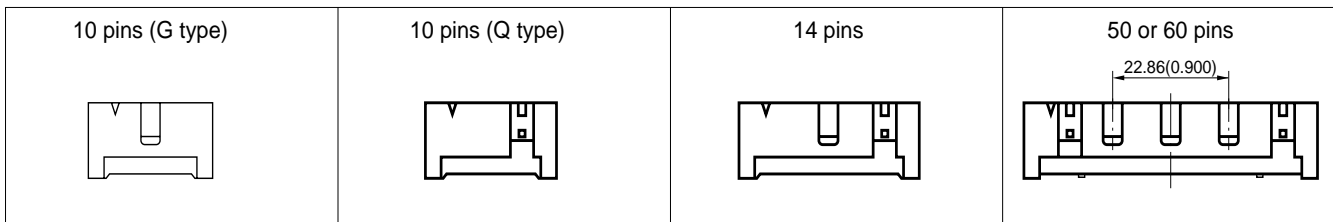
Number of contacts	Part number	Dimensions: mm (in.)	
		A	B
10	FCN-744G010-AU/0	20.3 (0.799)	10.16 (0.400)
10	FCN-744Q010-AU/0	20.3 (0.799)	10.16 (0.400)
14	FCN-744Q014-AU/0	25.4 (1.000)	15.24 (0.600)
16	FCN-744Q016-AU/0	27.9 (1.098)	17.78 (0.700)
20	FCN-744Q020-AU/0	33.0 (1.299)	22.86 (0.900)
24	FCN-744Q024-AU/0	38.08 (1.499)	27.94 (1.100)
26	FCN-744Q026-AU/0	40.6 (1.598)	30.48 (1.200)
30	FCN-744Q030-AU/0	45.7 (1.799)	35.56 (1.400)
34	FCN-744Q034-AU/0	50.8 (2.000)	40.64 (1.600)
40	FCN-744Q040-AU/0	58.4 (2.299)	48.26 (1.900)
50	FCN-744Q050-AU/0	71.1 (2.799)	60.96 (2.400)
60	FCN-744Q060-AU/0	83.8 (32.99)	73.66 (2.900)

RIGHT-ANGLE PLUG (BOX TYPE)

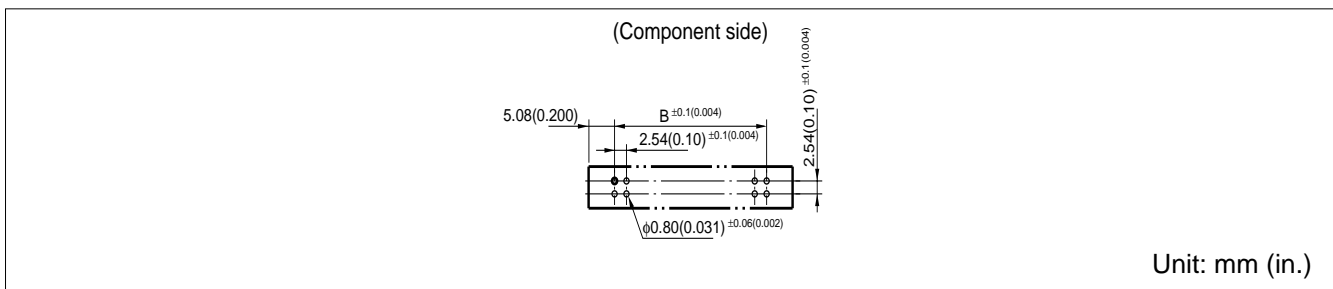
■ DIMENSIONS



■ CONFIGURATION BY THE NUMBER OF PINS



■ MOUNTING HOLE LAYOUT

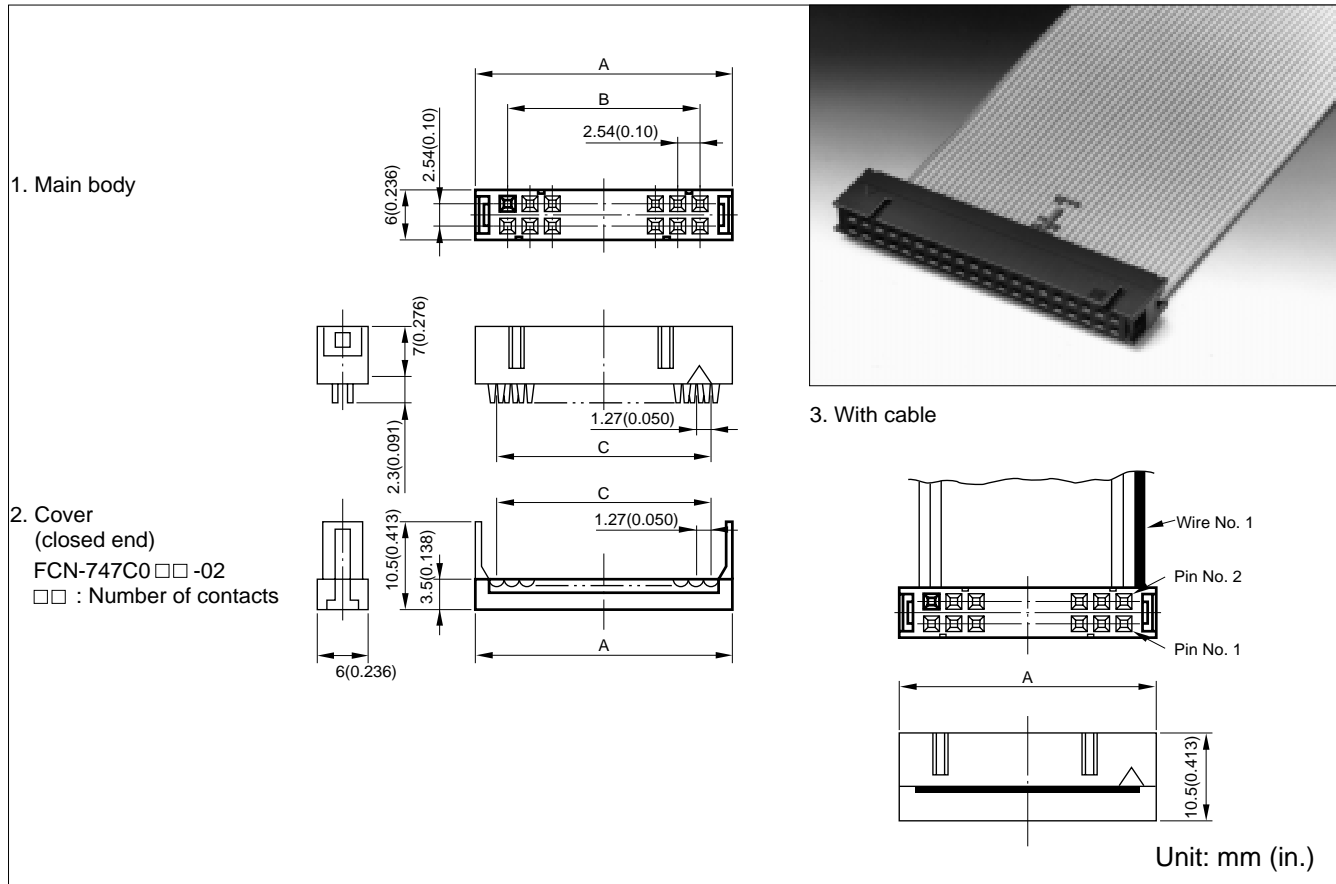


■ PART NUMBERS AND DIMENSIONS

Number of contacts	Part number	Dimensions: mm (in.)	
		A	B
10	FCN-745G010-AU/0	20.3 (0.799)	10.16 (0.400)
10	FCN-745Q010-AU/0	20.3 (0.799)	10.16 (0.400)
14	FCN-745Q014-AU/0	25.4 (1.000)	15.24 (0.600)
16	FCN-745Q016-AU/0	27.9 (1.098)	17.78 (0.700)
20	FCN-745Q020-AU/0	33.0 (1.299)	22.86 (0.900)
24	FCN-745Q024-AU/0	38.08 (1.499)	27.94 (1.100)
26	FCN-745Q026-AU/0	40.6 (1.598)	30.48 (1.200)
30	FCN-745Q030-AU/0	45.7 (1.799)	35.56 (1.400)
34	FCN-745Q034-AU/0	50.8 (2.000)	40.64 (1.600)
40	FCN-745Q040-AU/0	58.4 (2.299)	48.26 (1.900)
50	FCN-745Q050-AU/0	71.1 (2.799)	60.96 (2.400)
60	FCN-745Q060-AU/0	83.8 (32.99)	73.66 (2.900)

IDC SOCKET (CLIP TYPE, CLOSED END COVER)

■ DIMENSIONS

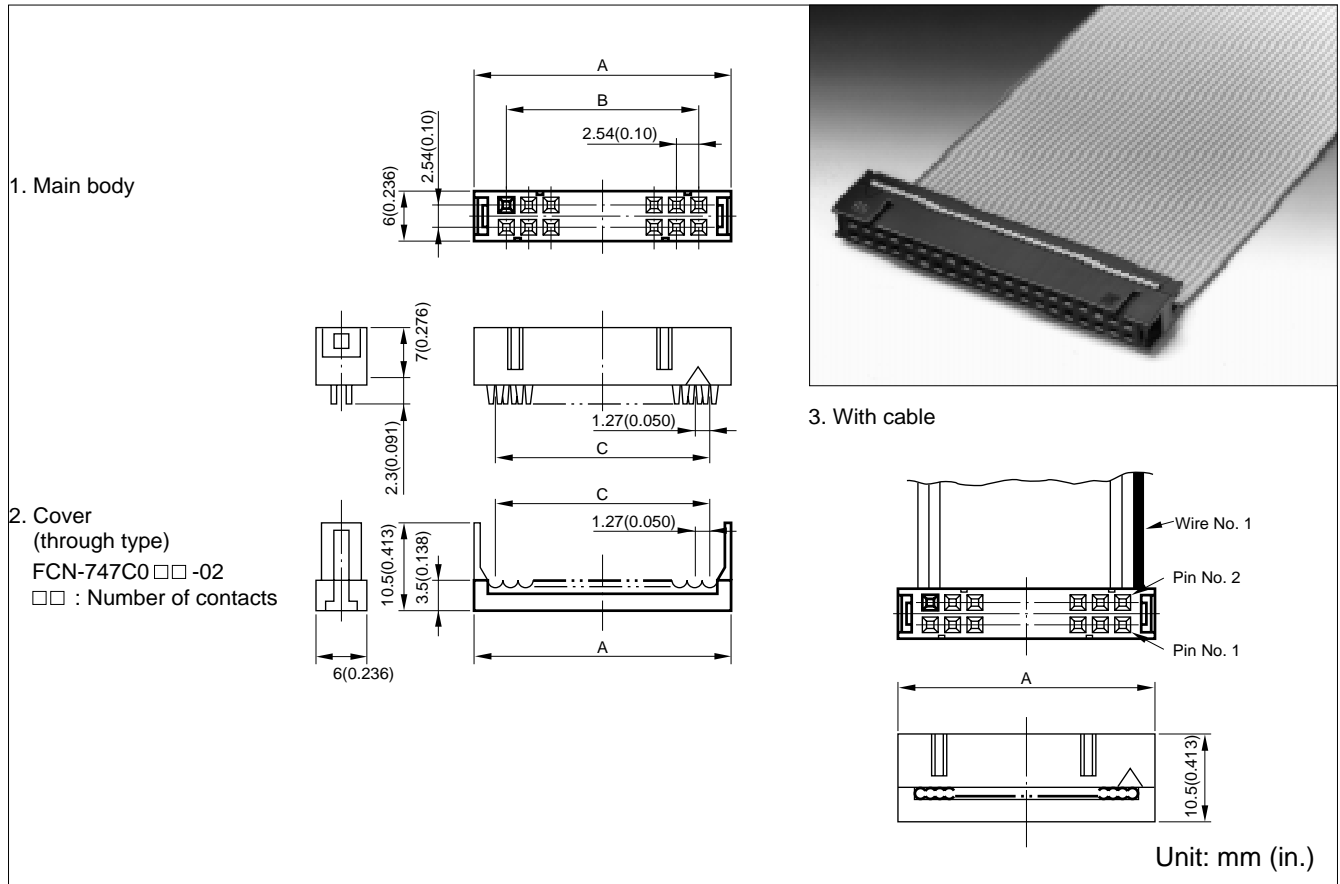


■ PART NUMBERS AND DIMENSIONS

Number of contacts	Part number	Dimensions: mm (in.)			Min. purchase lot quality
		A	B	C	
10	FCN-747J010-AU/B	17.27 (0.680)	10.16 (0.400)	11.43 (0.450)	30
14	FCN-747J014-AU/B	22.35 (0.880)	15.24 (0.600)	16.51 (0.650)	23
16	FCN-747J016-AU/B	24.89 (0.980)	17.78 (0.700)	19.05 (0.750)	21
20	FCN-747J020-AU/B	29.97 (1.180)	22.86 (0.900)	24.13 (0.950)	17
24	FCN-747J024-AU/B	35.05 (1.380)	27.94 (1.100)	29.21 (1.150)	15
26	FCN-747J026-AU/B	37.59 (1.480)	30.48 (1.200)	31.75 (1.250)	14
30	FCN-747J030-AU/B	42.67 (1.680)	35.56 (1.400)	36.83 (1.450)	12
34	FCN-747J034-AU/B	47.75 (1.880)	40.64 (1.600)	41.91 (1.650)	11
40	FCN-747J040-AU/B	55.37 (2.180)	48.26 (1.800)	49.54 (1.950)	9
50	FCN-747J050-AU/B	68.07 (2.680)	60.96 (2.400)	62.23 (2.450)	7
60	FCN-747J060-AU/B	80.77 (3.180)	73.66 (2.900)	74.93 (2.950)	6

IDC SOCKET (CLIP TYPE, THROUGH END COVER)

■ DIMENSIONS

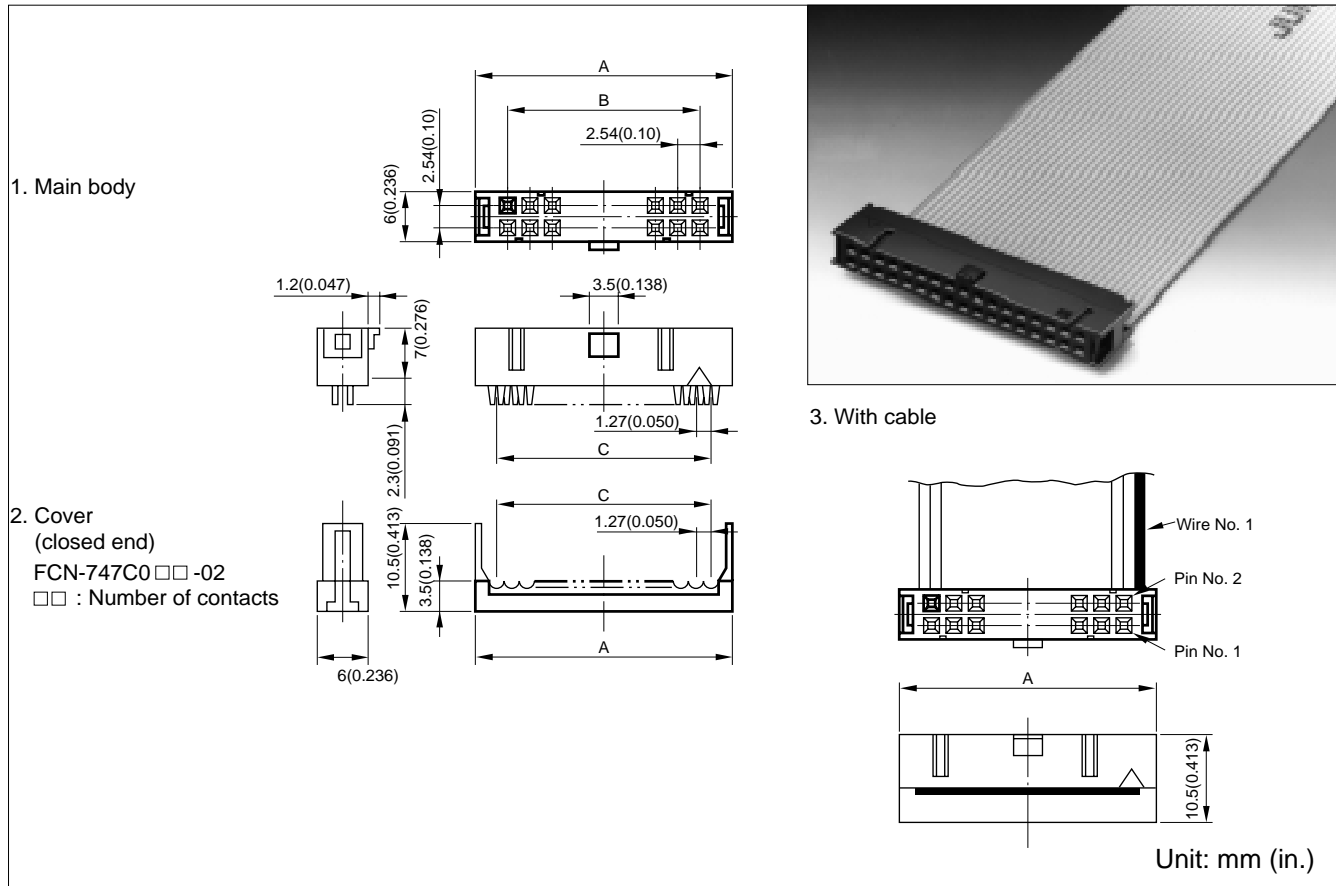


■ PART NUMBERS AND DIMENSIONS

Number of contacts	Part number	Dimensions: mm (in.)			Min. purchase lot quality
		A	B	C	
10	FCN-747J010-AU/0	17.27 (0.680)	10.16 (0.400)	11.43 (0.450)	30
14	FCN-747J014-AU/0	22.35 (0.880)	15.24 (0.600)	16.51 (0.650)	23
16	FCN-747J016-AU/0	24.89 (0.980)	17.78 (0.700)	19.05 (0.750)	21
20	FCN-747J020-AU/0	29.97 (1.180)	22.86 (0.900)	24.13 (0.950)	17
24	FCN-747J024-AU/0	35.05 (1.380)	27.94 (1.100)	29.21 (1.150)	15
26	FCN-747J026-AU/0	37.59 (1.480)	30.48 (1.200)	31.75 (1.250)	14
30	FCN-747J030-AU/0	42.67 (1.680)	35.56 (1.400)	36.83 (1.450)	12
34	FCN-747J034-AU/0	47.75 (1.880)	40.64 (1.600)	41.91 (1.650)	11
40	FCN-747J040-AU/0	55.37 (2.180)	48.26 (1.800)	49.54 (1.950)	9
50	FCN-747J050-AU/0	68.07 (2.680)	60.96 (2.400)	62.23 (2.450)	7
60	FCN-747J060-AU/0	80.77 (3.180)	73.66 (2.900)	74.93 (2.950)	6

IDC SOCKET (BUMP TYPE, CLOSED END COVER)

■ DIMENSIONS

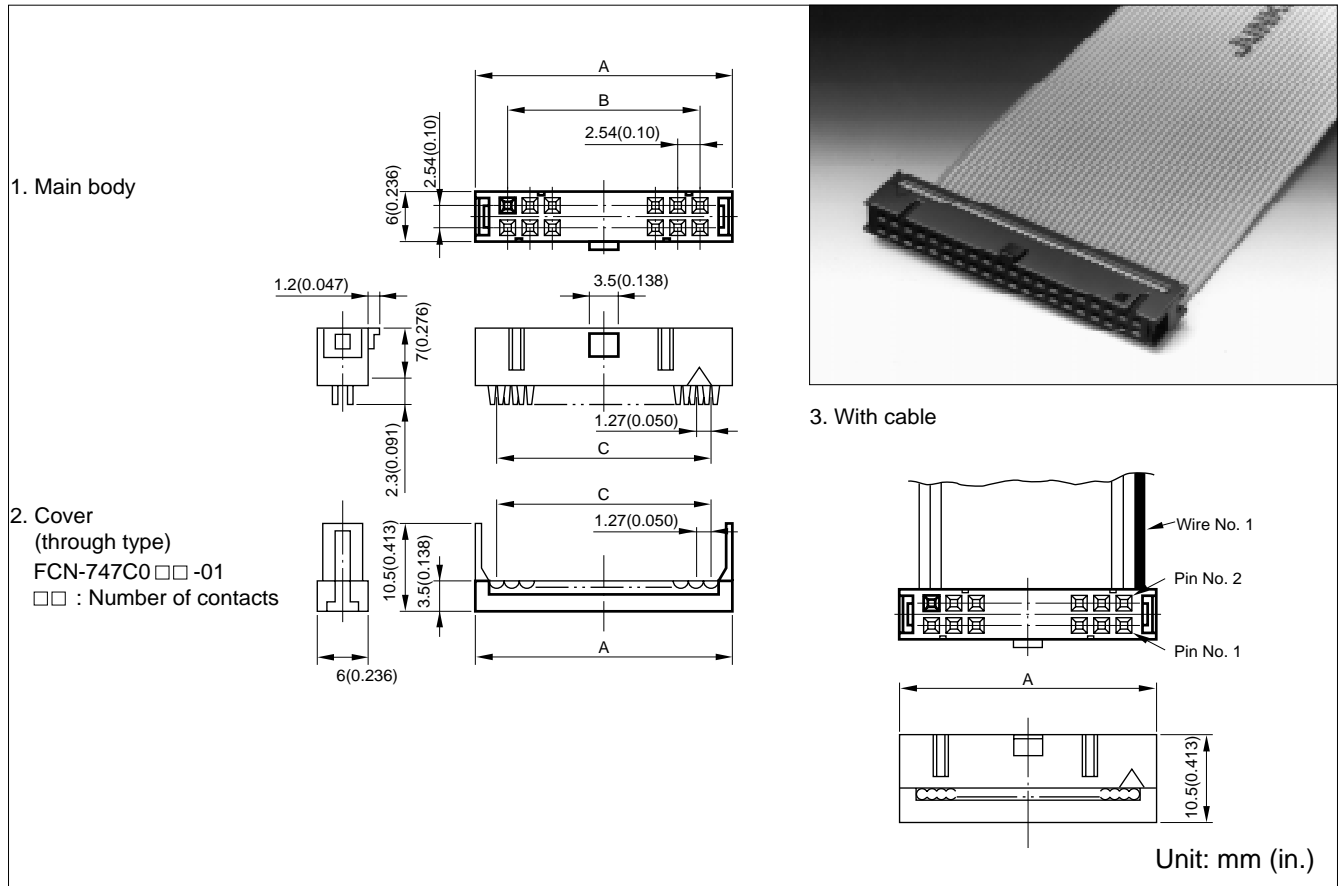


■ PART NUMBERS AND DIMENSIONS

Number of contacts	Part number	Dimensions: mm (in.)			Min. purchase lot quality
		A	B	C	
10	FCN-747B010-AU/B	17.27 (0.680)	10.16 (0.400)	11.43 (0.450)	30
14	FCN-747B014-AU/B	22.35 (0.880)	15.24 (0.600)	16.51 (0.650)	23
16	FCN-747B016-AU/B	24.89 (0.980)	17.78 (0.700)	19.05 (0.750)	21
20	FCN-747B020-AU/B	29.97 (1.180)	22.86 (0.900)	24.13 (0.950)	17
24	FCN-747B024-AU/B	35.05 (1.380)	27.94 (1.100)	29.21 (1.150)	15
26	FCN-747B026-AU/B	37.59 (1.480)	30.48 (1.200)	31.75 (1.250)	14
30	FCN-747B030-AU/B	42.67 (1.680)	35.56 (1.400)	36.83 (1.450)	12
34	FCN-747B034-AU/B	47.75 (1.880)	40.64 (1.600)	41.91 (1.650)	11
40	FCN-747B040-AU/B	55.37 (2.180)	48.26 (1.800)	49.54 (1.950)	9
50	FCN-747B050-AU/B	68.07 (2.680)	60.96 (2.400)	62.23 (2.450)	7
60	FCN-747B060-AU/B	80.77 (3.180)	73.66 (2.900)	74.93 (2.950)	6

IDC SOCKET (BUMP TYPE, THROUGH END COVER)

■ DIMENSIONS



■ PART NUMBERS AND DIMENSIONS

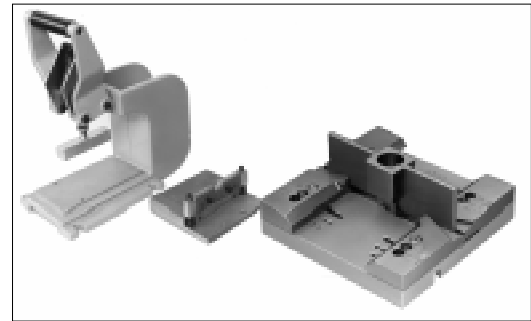
Number of contacts	Part number	Dimensions: mm (in.)			Min. purchase lot quality
		A	B	C	
10	FCN-747B010-AU/0	17.27 (0.680)	10.16 (0.400)	11.43 (0.450)	30
14	FCN-747B014-AU/0	22.35 (0.880)	15.24 (0.600)	16.51 (0.650)	23
16	FCN-747B016-AU/0	24.89 (0.980)	17.78 (0.700)	19.05 (0.750)	21
20	FCN-747B020-AU/0	29.97 (1.180)	22.86 (0.900)	24.13 (0.950)	17
24	FCN-747B024-AU/0	35.05 (1.380)	27.94 (1.100)	29.21 (1.150)	15
26	FCN-747B026-AU/0	37.59 (1.480)	30.48 (1.200)	31.75 (1.250)	14
30	FCN-747B030-AU/0	42.67 (1.680)	35.56 (1.400)	36.83 (1.450)	12
34	FCN-747B034-AU/0	47.75 (1.880)	40.64 (1.600)	41.91 (1.650)	11
40	FCN-747B040-AU/0	55.37 (2.180)	48.26 (1.800)	49.54 (1.950)	9
50	FCN-747B050-AU/0	68.07 (2.680)	60.96 (2.400)	62.23 (2.450)	7
60	FCN-747B060-AU/0	80.77 (3.180)	73.66 (2.900)	74.93 (2.950)	6

■ IDC TOOLS

- Special IDC tools are used to assemble FCN-740 series connectors and flat cables.
- All tools are simple and easy to use, even for first-time users.
- Users who have IDC tools manufactured by us do not have to buy hand presses or cut cables. They are compatible. Take care to buy the locator plate designed for your connectors.
- The number of pins can be changed easily by setting the connector guide to a specified pin hole.
- The cable cutter remains sharp, providing fast, easy cutting with long life.

Notes:

- Please ask for an operation instruction manual if needed.
- If you have any questions about Fujitsu IDC tools, please contact your local Fujitsu office or your local Fujitsu distributor.



Hand press Cable cutter Locator plate (790 series)

■ CABLE TERMINATION

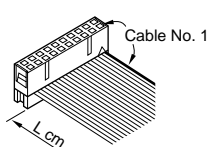
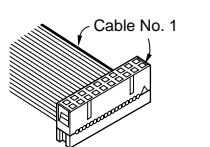
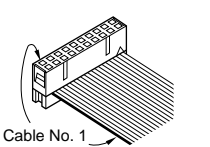
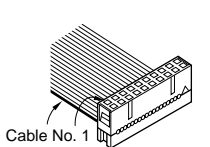
• Flat cable termination diagram

There are many ways to connect connectors to flat cables. Choose the connection method appropriate to your application from the figure below.

For 740 clip types, the connector orientation is important if polarity is specified to prevent incorrect insertion for 740 series clip types.

• Cable length

The length of a cable is indicated in units of cm, as shown in the figure below. The minimum length is 3 cm. The specified tolerance of the cable length is $\pm 10\%$ for $L \leq 10$ cm (± 5 mm min.), ± 1 cm for $10 \text{ cm} < L < 100$ cm, $\pm(L/100 \text{ cm} + 2 \text{ cm})$ for $100 \text{ cm} \leq L \leq 1800$ cm, and ± 20 cm for $1800 \text{ cm} < L$.

Type number	No. 1	No. 2	No. 3	No. 4
740 series				

■ PART NUMBERS FOR IDC TOOLS

Name	Part number
Cable cutter (common)	FCN-707T-T001/H
Hand press (common)	FCN-707T-T101/H
Locator plate (for 740 series connectors)	FCN-747T-T018/H

The hand press and the cable cutter can be used for other IDC connectors.

■ SPECIFICATION OF POLARITY TO PREVENT INCORRECT INSERTION

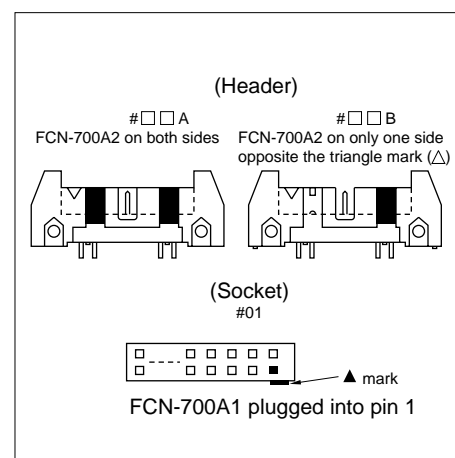
• Specify polarity as follows:

• Header (pin type, clip type)

FCN-705P050-AU/N # □ □ △
 Basic part number ↑ ↑ ↑
 Common ↑ ↑ ↑
 Pin number with pin polarity ↑
 Example
 00: No polarity
 When the A2 key is not used, only the basic part number is specified without a suffix.
 04: Pin 4 is cut or pulled out.
 Position of clip polarity (see the figure on the right)

• Socket (pin type)

FCN-747J050-AU/B # □ □
 Basic part number ↑ ↑
 Common ↑ ↑
 Pin number with pin polarity ↑
 Example
 04: FCN-700A1 plugged into pin 4
 Note: The specification method is the same for IDC plugs and through hole sockets.



Note: The standard specification is #04 or the end pin number (if the end pin is 50, the specification is 50).

Fujitsu Components International Headquarter Offices

Japan

Fujitsu Component Limited
Gotanda-Chuo Building
3-5, Higashigotanda 2-chome, Shinagawa-ku
Tokyo 141-0022, Japan
Tel: (81-3) 5449-7010
Fax: (81-3) 5449-2626
Email: promothq@fcl.fujitsu.com
Web: www.fcl.fujitsu.com

North and South America

Fujitsu Components America, Inc.
250 E. Caribbean Drive
Sunnyvale, CA 94089 U.S.A.
Tel: (1-408) 745-4900
Fax: (1-408) 745-4970
Email: components@us.fujitsu.com
Web: <http://us.fujitsu.com/components>

Europe

Fujitsu Components Europe B.V.
Diamantlaan 25
2132 WV Hoofddorp
Netherlands
Tel: (31-23) 5560910
Fax: (31-23) 5560950
Email: info@fceu.fujitsu.com
Web: emea.fujitsu.com/components

Asia Pacific

Fujitsu Components Asia Ltd.
102E Pasir Panjang Road
#01-01 Citilink Warehouse Complex
Singapore 118529
Tel: (65) 6375-8560
Fax: (65) 6273-3021
Email: fcal@fcal.fujitsu.com
www.fcal.fujitsu.com

© 2007 Fujitsu Components America, Inc. All rights reserved. All trademarks or registered trademarks are the property of their respective owners. Fujitsu Components America, Inc. or its affiliates do not warrant that the content of the datasheet is error free. In a continuing effort to improve our products, Fujitsu Components America, Inc. or its affiliates reserve the right to change specifications/datasheets without prior notice. Rev. November 2, 2007.