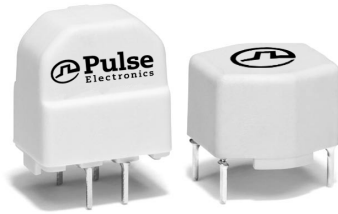


Current Compensated Noise Suppression Chokes

FE 2X Series - 2 Phase Common Mode Choke



- Materials meet UL-94 V-0 requirements
- Rated voltage: 250 Vac
- Dielectric withstanding voltage: 1500 Vac

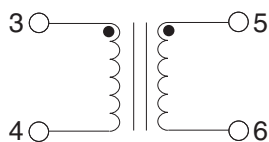
Electrical Specifications @ 25°C - Operating Temperature -40°C to +125°C

Part Number (Vertical)	Part Number (Horizontal)	L (mH ±30%)	Current (A)	DCR (Ω ±20%)	Resonance (kHz)
FE2X03-3-2	FE2X03-3-3	3.3	1.50	0.17	800
FE2X03-4-2	FE2X03-4-3	3.3	2.50	0.07	700
FE2X03-5-2	-	3.3	2.80	0.06	700
FE2X03-6-2	-	3.3	4.00	0.06	700
-	FE2X03-8-3	3.3	8.00	0.028	700
FE2X07-3-2	FE2X07-3-3	6.8	1.20	0.30	400
FE2X07-5-2	FE2X07-5-3	6.8	2.00	0.14	450
FE2X07-6-2	-	6.8	2.20	0.17	450
FE2X10-3-2	FE2X10-3-3	10	0.70	0.55	350
FE2X10-4-2	FE2X10-4-3	10	1.20	0.30	350
FE2X10-5-2	-	10	1.60	0.21	300
FE2X10-6-2	-	10	1.80	0.20	300
FE2X15-3-2	FE2X15-3-3	15	0.50	0.77	300
FE2X15-4-2	-	15	1.00	0.40	220
FE2X18-6-2	-	18	1.40	0.28	200
FE2X27-3-2	FE2X27-3-3	27	0.40	1.70	180
FE2X27-4-2	FE2X27-4-3	27	0.70	0.62	180
FE2X39-3-2	FE2X39-3-3	39	0.35	2.00	160
FE2X39-4-2	FE2X39-4-3	39	0.50	1.12	160
FE2X39-5-2	-	39	0.70	1.00	160
FE2X47-3-2	-	47	0.30	2.30	150
FE2X47-4-2	-	47	0.40	1.30	150

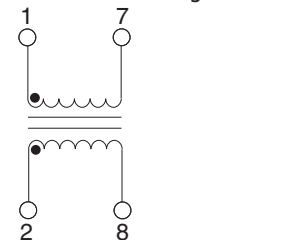
Notes: Part Numbering System: FE2XLV-S-P, where LV is the inductance value, S is the size code, and P is package style (2 = vertical and 3 = horizontal)

Schematics

Style 2 - Vertical Package



Style 3 - Horizontal Package



USA 858 674 8100

Germany 49 7032 7806 0

Singapore 65 6287 8998

Shanghai 86 21 62787060

China 86 755 33966678

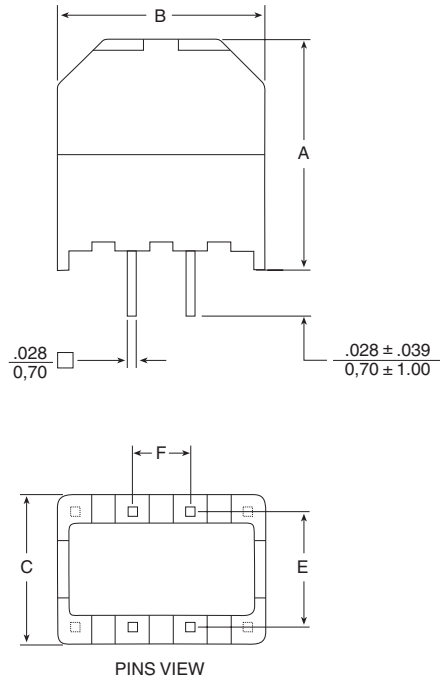
Taiwan 886 3 4356768

Current Compensated Noise Suppression Chokes

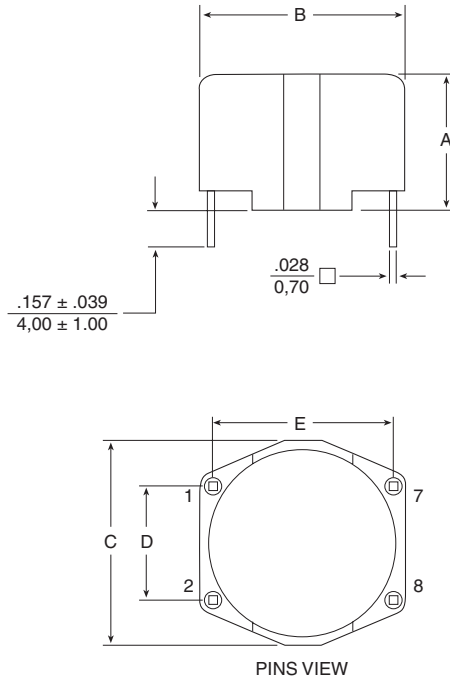
FE 2X Series - 2 Phase Common Mode Choke

Mechanicals

Style 2 - Vertical Package



Style 3 - Horizontal Package



Dimensions: $\frac{\text{Inches}}{\text{mm}}$

Size Code	A MAX	B MAX	C MAX	E	F
3	$\frac{.803}{20,40}$	$\frac{.724}{18,40}$	$\frac{.528}{13,40}$	$\frac{.394}{10,00}$	$\frac{.197}{5,00}$
4	$\frac{1.000}{25,40}$	$\frac{.803}{20,40}$	$\frac{.626}{15,90}$	$\frac{.492}{12,50}$	$\frac{.394}{10,00}$
5	$\frac{1.197}{30,40}$	$\frac{1.079}{27,40}$	$\frac{.724}{18,40}$	$\frac{.591}{15,00}$	$\frac{.492}{12,50}$
6	$\frac{1.394}{35,40}$	$\frac{1.276}{32,40}$	$\frac{.724}{18,40}$	$\frac{.591}{15,00}$	$\frac{.492}{12,50}$

Notes: Tolerances for E & F are $\pm .010 / 0,25$

Size Code	A MAX	B MAX	C MAX	E	F
3	$\frac{.508}{12,90}$	$\frac{.705}{17,90}$	$\frac{.705}{17,90}$	$\frac{.394}{10,00}$	$\frac{.591}{15,00}$
4	$\frac{.606}{15,40}$	$\frac{.902}{22,90}$	$\frac{.902}{22,90}$	$\frac{.492}{12,50}$	$\frac{.787}{20,00}$
5	$\frac{.705}{17,90}$	$\frac{1.098}{27,90}$	$\frac{1.098}{27,90}$	$\frac{.591}{15,00}$	$\frac{.984}{25,00}$
8	$\frac{1.000}{25,40}$	$\frac{1.709}{43,40}$	$\frac{1.669}{42,40}$	$\frac{.591}{15,00}$	$\frac{1.575}{40,00}$

Notes: Tolerances for D & E are $\pm .010 / 0,25$

For More Information

Pulse Worldwide Headquarters
12220 World Trade Drive
San Diego, CA
92128
U.S.A.

Tel: 858 674 8100

Pulse Europe
Einsteinstrasse 1
D-71083 Herrenberg
Germany

Tel: 49 7032 7806

Pulse China Headquarters
B402, Shenzhen Academy of
Aerospace Technology Bldg.
10th Kejian Road
High-Tech Zone
Nanshan District
Shenzhen, PR China
518057

Pulse North China
Room 2704/2705
Super Ocean Finance
Ctr.
2067 Yan An Road
West
Shanghai 200336
China

Pulse South Asia
135 Joo Seng Road
#03-02
PM Industrial Bldg.
Singapore 368363

Tel: 65 6287 8998
Fax: 65 6287 8998

Pulse North Asia
3F, No. 198
Zhongyuan Road
Zhongli City
Taoyuan County 320
Taiwan R. O. C.
Tel: 886 3 4356768
Fax: 886 3 4356823
(Pulse)

Performance warranty of products offered on this data sheet is limited to the parameters specified. Data is subject to change without notice. Other brand and product names mentioned herein may be trademarks or registered trademarks of their respective owners. © Copyright, 2012. Pulse Electronics, Inc. All rights reserved.