

High Voltage Stacked Capacitors

Presidio Common Sizes - X7R and NPO

Maximum Capacitance (µF)

PRESIDIO CASE SIZE																	"B" Ht. Max. inch (mm)	No. of Cap per stack
Case Code	52		53		37		54		55		56		57		58			
Dielectric	X7R	NPO	X7R	NPO	X7R	NPO	X7R	NPO	X7R	NPO	X7R	NPO	X7R	NPO	X7R	NPO		
1000V (voltage code=9)	.040	.0036	.080	.0075	.12	.010	.16	.014	.25	.022	.35	.030	.38	.033	.70	.060	.200 (5.08)	1
	.080	.0072	.16	.015	.24	.020	.32	.028	.50	.044	.70	.060	.76	.066	1.4	.12	.350 (8.89)	2
	.12	.011	.24	.022	.36	.030	.48	.042	.75	.066	.10	.090	1.1	.10	2.1	.18	.500 (12.70)	3
	.16	.014	.32	.030	.48	.040	.64	.056	1.0	.088	.14	.12	1.5	.13	2.8	.24	.650 (16.51)	4
2000V (voltage code=11)	.0080	.00075	.019	.0017	.027	.0024	.035	.0032	.055	.005	.080	.0070	.090	.0082	.17	.015	.200 (5.08)	1
	.016	.0015	.038	.0034	.054	.0048	.070	.0064	.11	.010	.16	.014	.18	.016	.34	.030	.350 (8.89)	2
	.024	.0022	.057	.0051	.081	.0072	.10	.0096	.16	.015	.24	.021	.27	.024	.51	.045	.500 (12.70)	3
	.032	.0030	.076	.0068	.10	.0096	.14	.013	.22	.020	.32	.028	.36	.033	.68	.060	.650 (16.51)	4
3000V (voltage code=13)	--	--	.0070	.00065	.011	.0010	.014	.0013	.022	.0021	.033	.0030	.039	.0035	.070	.0065	.200 (5.08)	1
	--	--	.014	.0013	.022	.0020	.024	.0026	.044	.0042	.066	.0060	.078	.0070	.14	.013	.350 (8.89)	2
	--	--	.021	.0019	.033	.0030	.042	.0039	.066	.0063	.10	.0090	.11	.010	.21	.019	.500 (12.70)	3
	--	--	.028	.0026	.044	.0040	.056	.0052	.088	.0084	.13	.012	.15	.014	.28	.026	.650 (16.51)	4
4000V (voltage code=14)	--	--	--	--	.0055	.00050	.007	.00060	.012	.0010	.017	.0015	.020	.0018	.039	.0035	.200 (5.08)	1
	--	--	--	--	.011	.0010	.014	.0012	.024	.0020	.034	.0030	.040	.0036	.078	.0070	.350 (8.89)	2
	--	--	--	--	.016	.0015	.021	.0018	.036	.0030	.051	.0045	.060	.0054	.11	.010	.500 (12.70)	3
	--	--	--	--	.022	.0020	.028	.0024	.048	.0040	.068	.0060	.080	.0072	.15	.014	.650 (16.51)	4
5000V (voltage code=15)	--	--	--	--	.0030	.00033	.0040	.00042	.0065	.00070	.0090	.0010	.011	.012	.022	.0024	.200 (5.08)	1
	--	--	--	--	.0060	.00066	.0080	.00084	.013	.0014	.018	.0020	.022	.024	.044	.0048	.350 (8.89)	2
	--	--	--	--	.0090	.0010	.012	.0012	.019	.0021	.027	.0030	.033	.036	.066	.0072	.500 (12.70)	3
	--	--	--	--	.012	.0013	.016	.0016	.026	.0028	.036	.0040	.044	.048	.088	.0096	.650 (16.51)	4
Dimensions inches (mm)	.300 (7.62)		.415 (10.54)		.550 (13.97)		.500 (12.70)		.600 (15.24)		.700 (17.78)		.975 (24.77)		1.375 (34.93)		C ± .025 (0.64)	
	.260 (6.60)		.350 (8.89)		.320 (8.13)		.460 (11.68)		.560 (14.22)		.660 (16.76)		.520 (13.21)		.670 (17.02)		D (Max.) Width	
	.325 (8.26)		.440 (11.18)		.580 (14.73)		.525 (13.34)		.625 (15.88)		.725 (18.42)		1.000 (25.40)		1.400 (35.56)		E (Max.) Length	
Leads per Side	3		4		3		4		5		6		5		6			
Chip Size	2824		3933		5330		4844		5854		6864		9650		13565			

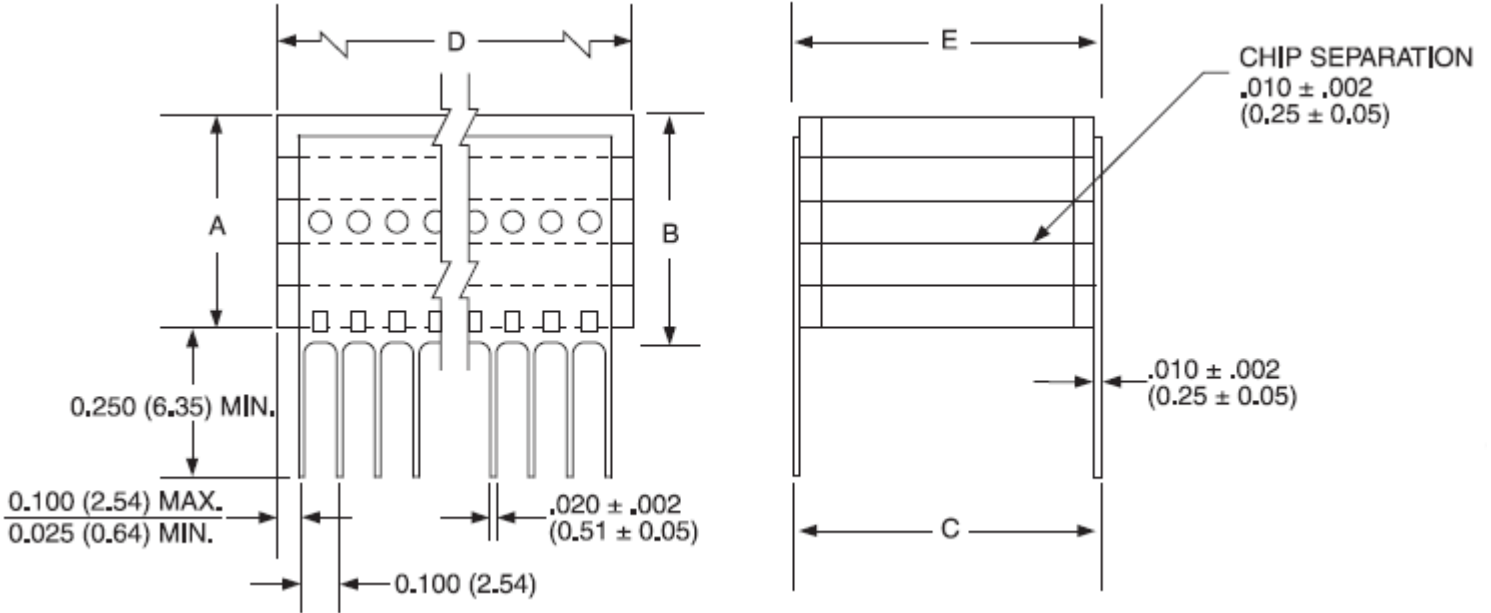


High Voltage Stacked Capacitors

Presidio Lead Style and Dimensions

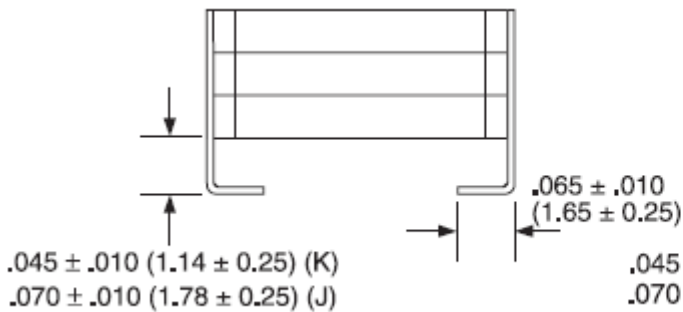
N Style

Through-hole straight leads
inches (mm)



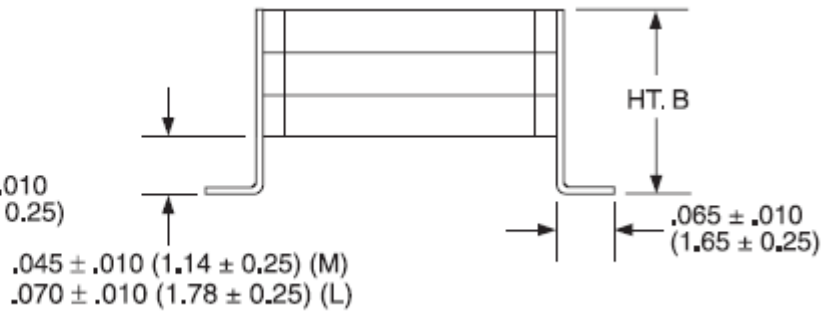
J and K Style

Leads bent under device
inches (mm)



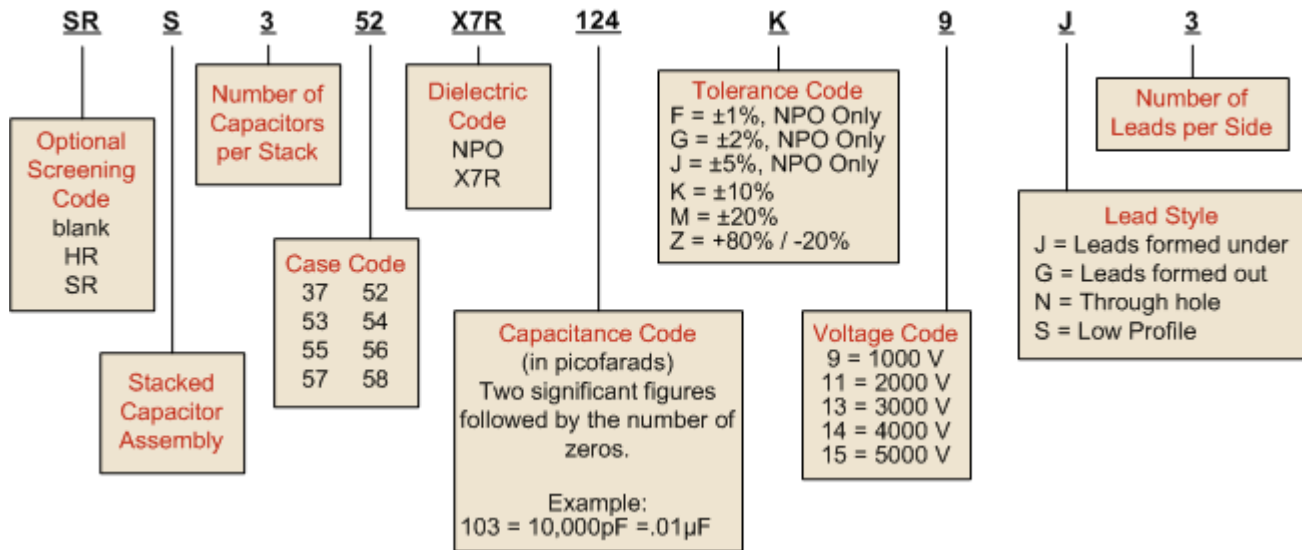
L and M Style

Leads bent away from device
inches (mm)



High Voltage Stacked Capacitors

How To Order



Consult factory for other voltages, capacitance options and parts outside a given range.

The above example is of Presidio's Manufacturing part number.

If a shorter part number is desired, use our conversion tool to create our Global part number.