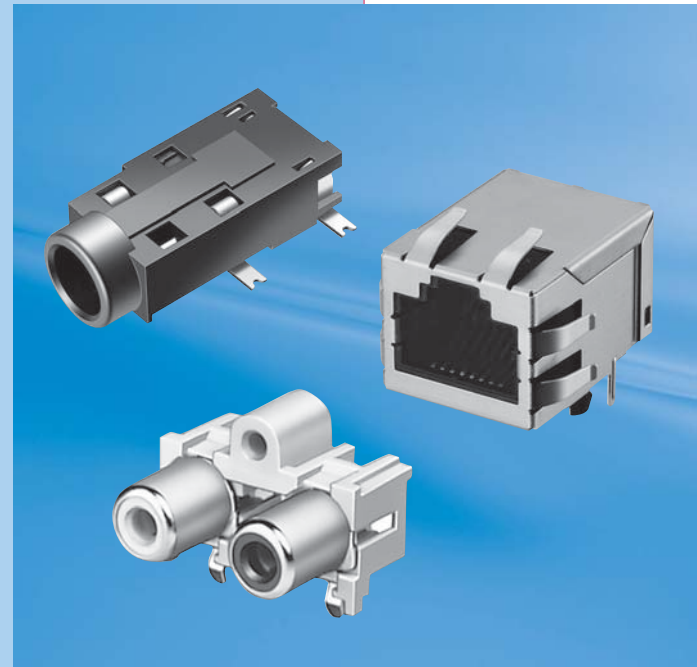


Miniature Jacks Modular Jacks Pin Jacks



| | |
|--|---------|
| Contents | 1 |
| Miniature Jacks | |
| Specifications | 2 |
| Product Lineup | 3 - 5 |
| 3.5 DIA Miniature Jacks | |
| SMT | 6 - 8 |
| Dip | 9 - 14 |
| Mid Mount Type | 14 |
| 2.5 DIA Miniature Jacks | |
| SMT | 15 - 19 |
| Dip | 20 |
| Dual Type Miniature Jacks | |
| Dip | 21 - 22 |
| Modular Jacks | |
| LAN Jack with Pulse Transformers | 23 - 24 |
| Pin Jacks | |
| Specifications | 25 |
| Pin Jacks (Single Type) | 26 |
| Pin Jacks (Dual Type) | 27 |
| Pin Jacks (Triple Type) | 28 |

Specifications (Represented Values)

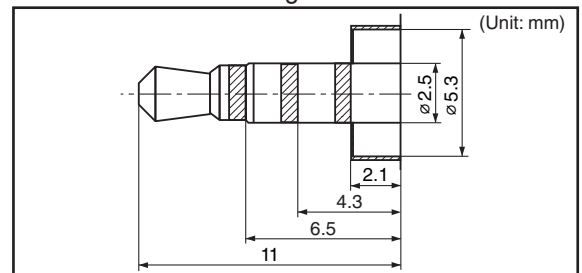
| | | |
|-----------------------|----------------------------|------------------------------|
| Contact Resistance | Between Plug and Terminals | 50mΩ max. |
| | Between Terminals | 30mΩ max. |
| | Switch Part | 20mΩ max. |
| Insulation Resistance | | 100MΩ min. at 500V DC |
| Withstanding Voltage | | 500V AC(r.m.s.) for 1 minute |
| Insertion Force | | 3N - 30N |
| Withdrawal Force | | 3N - 30N |

Notes: Actual values are shown in the specification of each product.

3.5 DIA & 2.5 DIA Mate Plug

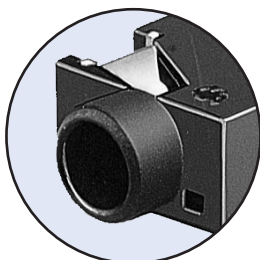
- Notes:
1. 2-Pole and 3-Pole mate plugs conform to Japanese Industrial Standard C 6560-1994.
 2. Ø3.5 4-Pole mate plugs conform to Standard of JEITA RC-5325A.
 3. Ø2.5 4-Pole mate plugs conform to Standard of JEITA RC-5327.

2.5 DIA 5-Pole Mate Plug

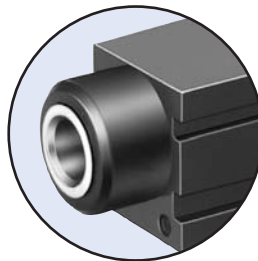


HSJ1684-10GY

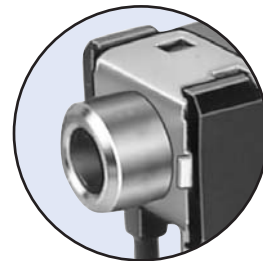
Shape of Sleeves



A



B



C

Notes: Actual products may differ in shape detail from these photos.

Ø3.5 JACKS

| Type | Mounting Style | Height Length (mm) | Sleeve | Schematic | | | | | | | | |
|----------------|----------------|--------------------|-----------|-----------|--------------------|---------|--------------------|--------------------|---------|---------|---------|---------|
| | | | | | | | | | | | | |
| Horizontal | SMT | $h=1.85$ | A | — | HSJ1828 | — | — | — | — | — | — | — |
| | | $h=2.1$ | A | — | — | — | — | — | — | HSJ1765 | — | HSJ2077 |
| | | $h=2.2$ | A | — | HSJ1636 HSJ2636 | — | HSJ1636 HSJ2636 | | — | — | — | — |
| | | $h=2.5$ | A | HSJ1601 | HSJ1501 | — | — | HSJ1501 | — | — | — | — |
| | Dip | $h=2.2$ | A | — | HSJ1636 HSJ2636 | — | HSJ1636 HSJ2636 | | — | — | — | — |
| | | | A | — | HSJ1494 | — | HSJ1494 | | — | — | — | — |
| | | $h=2.25$ | B | — | HSJ1493 | — | HSJ1493 | | — | — | — | — |
| | | | $h=2.5$ | A | — | — | — | HSJ1715 | — | — | — | — |
| | | A | | — | HSJ1456 | — | HSJ1456 | | — | — | — | — |
| | | A | | — | — | — | HSJ1537 | — | — | — | — | — |
| | | $h=6.5$ | A | — | — | — | HSJ1453 HSJ1680 | HSJ1403 HSJ1677 | — | — | — | — |
| | — | A | — | — | — | HSJ1938 | — | — | — | — | — | |
| | Vertical | Dip | $\ell=16$ | A | HSJ1406 | | — | HSJ1406 | | — | HSJ1406 | — |
| $\ell=17.5$ | | | A | — | — | — | HSJ2013 | — | HSJ2013 | — | — | — |
| | | | B | — | — | — | HSJ1013 | — | — | — | — | — |

△ Insulator

Ø3.5 JACKS

| Type | Mounting Style | Height Length (mm) | Sleeve | Schematic | | | | | |
|----------------|----------------|--------------------|---------|-----------|---------|---|---|---|---------|
| | | | | | | | | | |
| Horizontal | Dip | $h=2.25$ | A | — | HSJ1494 | | | | HSJ1594 |
| | | | B | — | HSJ1493 | | | | — |
| | $h=6.5$ | A | HSJ2000 | — | — | — | — | — | |
| Vertical | Dip | $\ell=17$ | A | HSJ2630 | — | — | — | — | — |

| Type | Mounting Style | Height (mm) | Sleeve | Schematic | | | | | |
|----------------|----------------|-------------|--------|-----------|--|--|--|---------|--|
| | | | | | | | | | |
| Horizontal | SMT | $h=2.2$ | A | — | | | | HSJ1636 | |
| | Dip | $h=2.2$ | | — | | | | HSJ1636 | |
| | | $h=2.25$ | | HSJ1594 | | | | — | |

Ø2.5 JACKS

| Type | Mounting Style | Height (mm) | Sleeve | Schematic | | | | | | | | | |
|----------------|----------------|----------------|--------|-----------|---------|---|---------|---|---|---------|---------|---|---|
| | | | | | | | | | | | | | |
| Horizontal | SMT | $h=1.35$ | A | HSJ1621 | — | — | — | — | — | — | — | | |
| | | $h=1.65$ | A | — | — | — | — | — | — | HSJ1671 | — | | |
| | | $h=2$ | A | HSJ1612 | — | — | HSJ1169 | — | — | — | HSJ1660 | | |
| | | $h=2.5$ | A | — | HSJ1603 | — | HSJ1603 | — | — | — | — | | |
| | Dip | $h=2.5$ (2) | C | HSJ1102 | | | | | | | | — | — |
| | | $h=2.5$ | A | — | HSJ1650 | — | HSJ1650 | — | — | — | — | | |

| Type | Mounting Style | Height (mm) | Sleeve | Schematic | | |
|----------------|----------------|-------------|--------|-----------|---------|---------|
| | | | | | | |
| Horizontal | SMT | $h=1.5$ | A | — | — | HSJ1757 |
| | | $h=1.85$ | A | HSJ2046 | HSJ2047 | — |

Combination Jacks

| Type | Mounting Style | Height (mm) | Sleeve | Schematic | | | | | |
|----------------|----------------|-------------|--------|-----------|--|--|--|--|--|
| | | | | | | | | | |
| Horizontal | Dip | $h=2.5$ | B | HSJ1468 | | | | | |

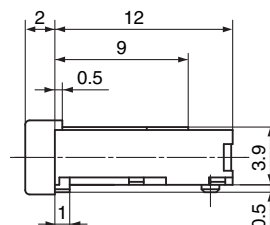
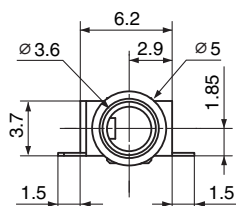
| Type | Mounting Style | Height (mm) | Sleeve | Schematic | | | | | | | |
|----------------|----------------|-------------|--------|-----------|--|--|---------|--|--|---------|--|
| | | | | | | | | | | | |
| Horizontal | Dip | $h=6.5$ | A | HSJ1001 | | | HSJ1002 | | | HSJ1003 | |

HSJ1828

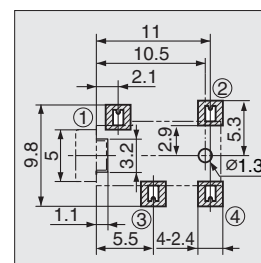


HSJ1828-011020

***h*=1.85mm**

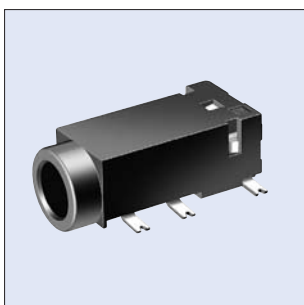


| Schematic | Housing Color | Notes |
|-----------|---------------|----------------|
| | Black | HSJ1828-011020 |
| | Red | HSJ1828-011021 |
| | | 700pcs/reel |



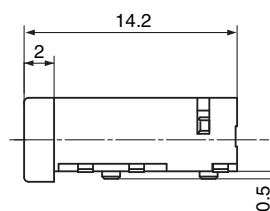
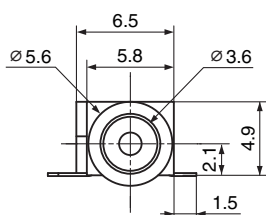
PCB Layout
(Top View)

HSJ1765

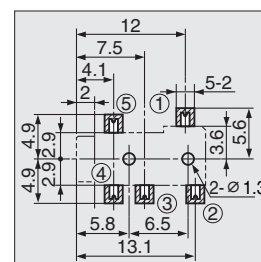


HSJ1765-011070

***h*=2.1mm**



| Schematic | Housing Color | Notes |
|-----------|---------------|----------------|
| | Black | HSJ1765-011070 |
| | Yellow | HSJ1765-011075 |
| | | 700pcs/reel |



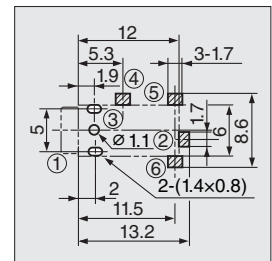
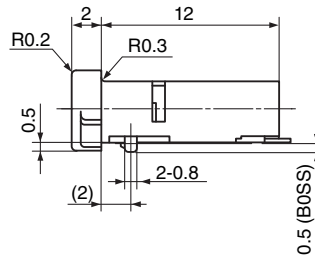
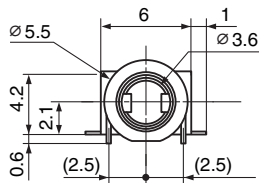
PCB Layout
(Top View)

HSJ2077



HSJ2077-019670

h=2.1mm

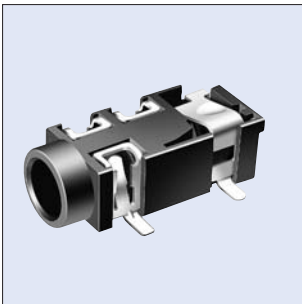


PCB Layout
(Top View)

| Schematic | Housing Color | Notes |
|-----------|---------------|----------------|
| | Black | HSJ2077-019670 |
| | Yellow | HSJ2077-019675 |
| | | 1000pcs/reel |

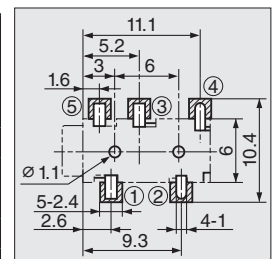
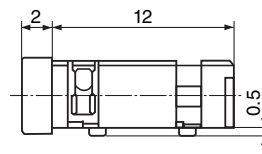
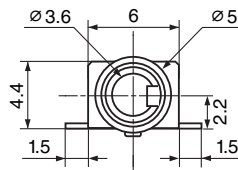
HSJ1636*

*HSJ2636 : See table.



HSJ1636-011080

h=2.2mm



PCB Layout
(Top View)

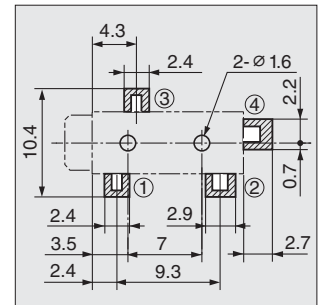
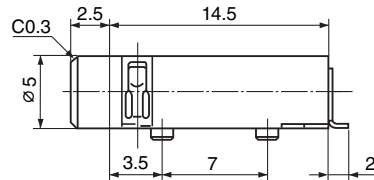
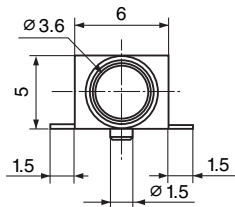
| Schematic | Housing Color | Notes |
|-----------|---------------|-------------------------------------|
| | Black | HSJ1636-011020 |
| | Red | HSJ1636-011021 |
| | Green | HSJ1636-011022 |
| | Black | HSJ2636-011020 |
| | Red | HSJ2636-011021 |
| | Green | HSJ2636-011022 |
| | Black | HSJ1636-011040 |
| | Red | HSJ1636-011041 |
| | Green | HSJ1636-011042 |
| | Black | HSJ2636-011040 |
| | Red | HSJ2636-011041 |
| | Green | HSJ2636-011042 |
| | Black | HSJ1636-011050 |
| | Red | HSJ1636-011051 |
| | Green | HSJ1636-011052 |
| | Black | HSJ2636-011050 |
| | Red | HSJ2636-011051 |
| | Green | HSJ2636-011052 |
| | Black | HSJ1636-011060 |
| | Red | HSJ1636-011061 |
| | Green | HSJ1636-011062 |
| | Black | HSJ2636-011060 |
| | Red | HSJ2636-011061 |
| | Green | HSJ2636-011062 |
| | Black | HSJ1636-011070 |
| | Red | HSJ1636-011071 |
| | Green | HSJ1636-011072 |
| | Black | HSJ2636-011070 |
| | Red | HSJ2636-011071 |
| | Green | HSJ2636-011072 |
| | | 700pcs/reel |
| | | High Heat Resistance 700pcs/reel |

HSJ1501



HSJ1501-010110

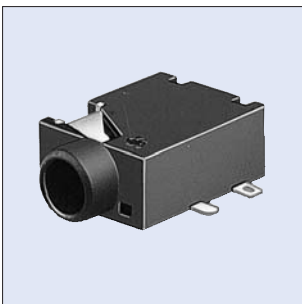
h=2.5mm



Pad Layout
(Top View)

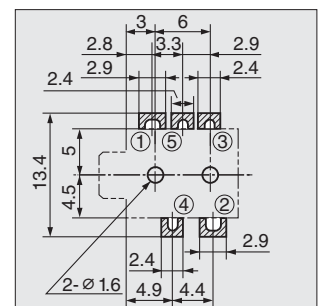
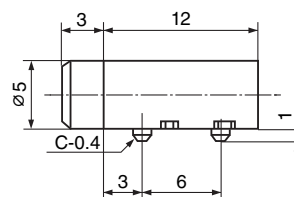
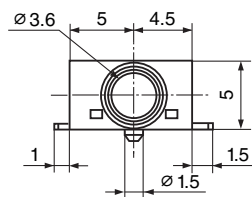
| Schematic | | | Notes |
|------------------|----------------|----------------|---------------------|
| Packaging Style | | | |
| Bulk | HSJ1501-010110 | HSJ1501-010120 | Hand Soldering Only |
| Taping Packaging | HSJ1501-011110 | HSJ1501-011120 | 1000pcs/reel |

HSJ1601



HSJ1601-010110

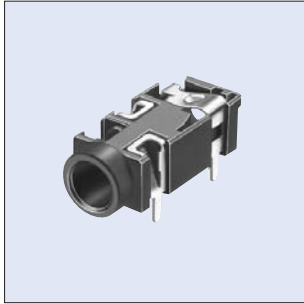
h=2.5mm



PCB Layout
(Top View)

| Schematic | | | Notes |
|------------------|----------------|--|---------------------|
| Packaging Style | | | |
| Bulk | HSJ1601-010110 | | Hand Soldering Only |
| Taping Packaging | HSJ1601-011110 | | 850pcs/reel |

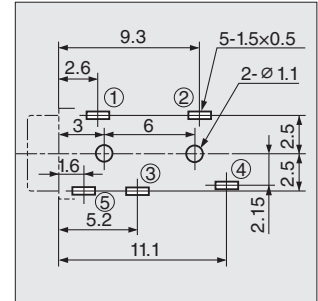
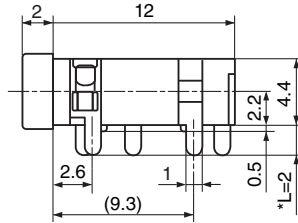
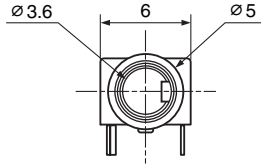
HSJ1636*



HSJ1636-010580

h=2.2mm

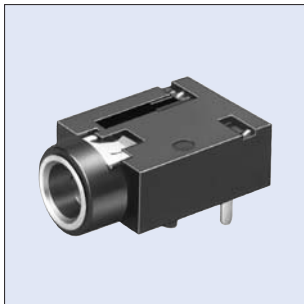
*HSJ2636 : See table.



Hole Layout
(Bottom View)

| Schematic | | | | | | | | Notes |
|-----------|----------------|----------------|----------------|----------------|----------------|----------------|----------------|-------------------------------------|
| Black | HSJ1636-010520 | HSJ1636-010540 | HSJ1636-010550 | HSJ1636-010560 | HSJ1636-010570 | HSJ1636-010580 | HSJ1636-010670 | — |
| Red | HSJ1636-010521 | HSJ1636-010541 | HSJ1636-010551 | HSJ1636-010561 | HSJ1636-010571 | HSJ1636-010581 | HSJ1636-010671 | |
| Green | HSJ1636-010522 | HSJ1636-010542 | HSJ1636-010552 | HSJ1636-010562 | HSJ1636-010572 | HSJ1636-010582 | HSJ1636-010672 | |
| Black | HSJ2636-011520 | HSJ2636-011540 | HSJ2636-011550 | HSJ2636-011560 | HSJ2636-011570 | HSJ2636-011580 | HSJ2636-011670 | High Heat Resistance 700pcs/reel |
| Red | HSJ2636-011521 | HSJ2636-011541 | HSJ2636-011551 | HSJ2636-011561 | HSJ2636-011571 | HSJ2636-011581 | HSJ2636-011671 | |
| Green | HSJ2636-011522 | HSJ2636-011542 | HSJ2636-011552 | HSJ2636-011562 | HSJ2636-011572 | HSJ2636-011582 | HSJ2636-011672 | |

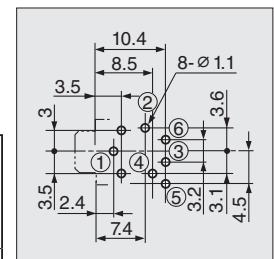
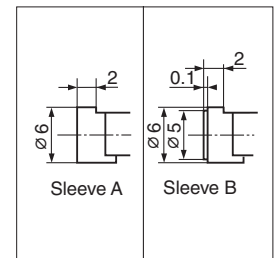
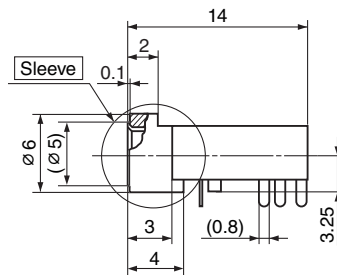
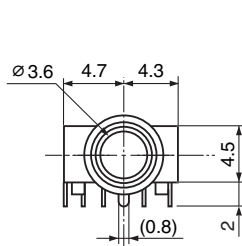
HSJ1493*



HSJ1493-0100109

h=2.25mm

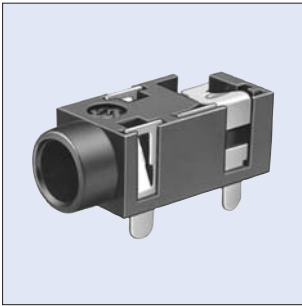
*HSJ1494 : See table.



Hole Layout
(Bottom View)

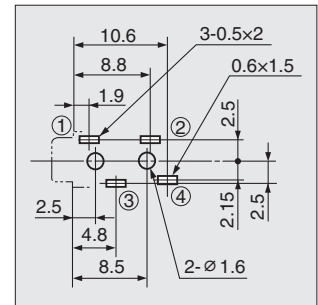
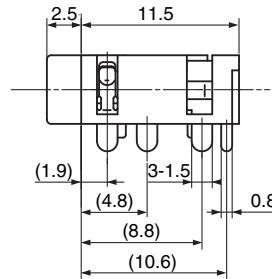
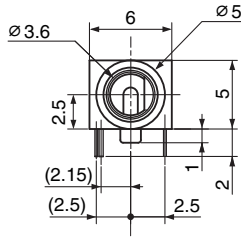
| Schematic | | | | | | | |
|-----------|-----------------|-----------------|-----------------|-----------------|-----------------|-----------------|-----------------|
| A | HSJ1494-01-010 | HSJ1494-01-020 | HSJ1494-01-030 | HSJ1494-01-040 | HSJ1494-01-050 | HSJ1494-01-060 | HSJ1494-01-070 |
| B | HSJ1493-0100109 | HSJ1493-0100209 | HSJ1493-0100309 | HSJ1493-0100409 | HSJ1493-0100509 | HSJ1493-0100609 | HSJ1493-0100709 |

HSJ1456



HSJ1456-010320

h=2.5mm



Hole Layout
(Bottom View)

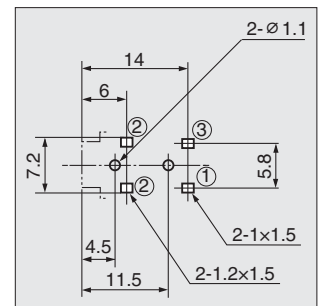
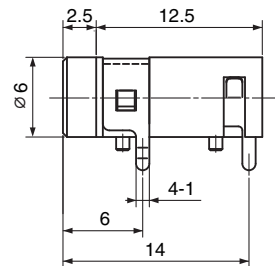
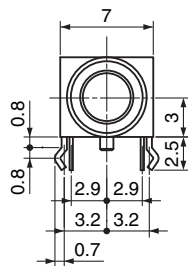
| | | | |
|---------------|----------------|----------------|----------------|
| Schematic | | | |
| Housing Color | Black | Black | Black |
| | HSJ1456-010310 | HSJ1456-010320 | HSJ1456-010330 |

HSJ1537



HSJ1537-010510

h=3mm

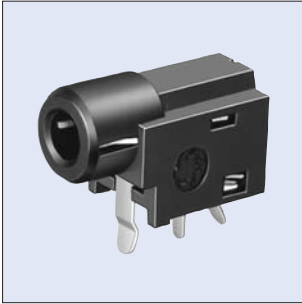


Hole Layout
(Bottom View)

| | |
|---------------|----------------|
| Schematic | |
| Housing Color | Black |
| | HSJ1537-010510 |
| | Green |
| | HSJ1537-010512 |
| | Yellow |
| | HSJ1537-010515 |

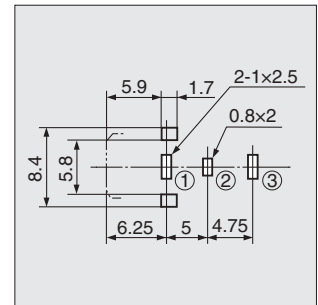
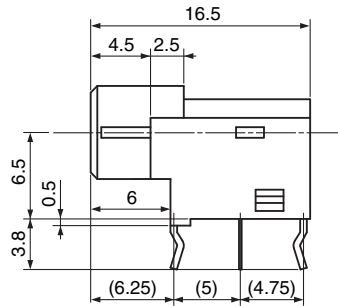
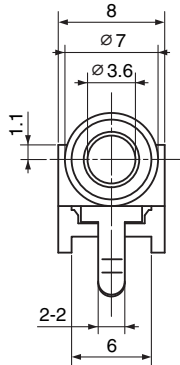
HSJ1403*

*HSJ1453, 1677, 1680 : See table.



HSJ1403-01-010

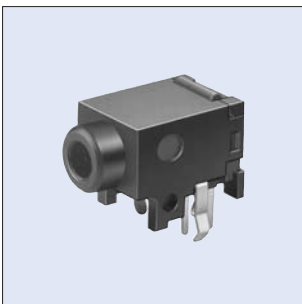
h=6.5mm



Hole Layout
(Bottom View)

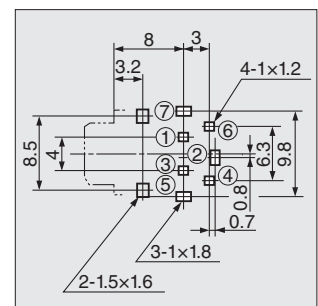
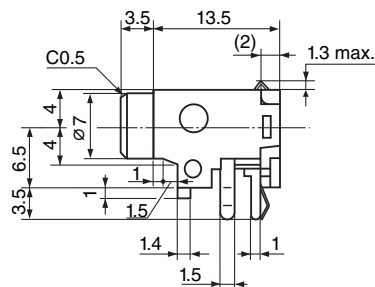
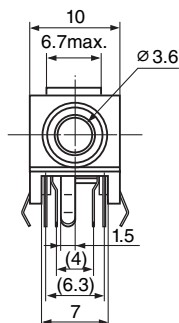
| Housing Material | Schematic | | Notes |
|------------------|---------------|----------------|----------------------|
| | Housing Color | | |
| PPE | Black | HSJ1403-01-010 | Hand Soldering Only |
| PBT | Black | HSJ1677-010010 | High Heat Resistance |

HSJ2000



HSJ2000-01-010

h=6.5mm

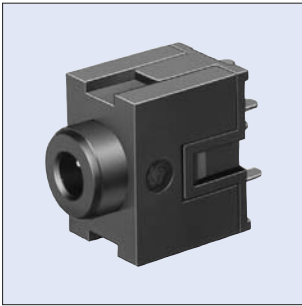


Hole Layout
(Bottom View)

| Housing Color | Schematic | |
|---------------|----------------|--|
| | | |
| Black | HSJ2000-01-010 | |

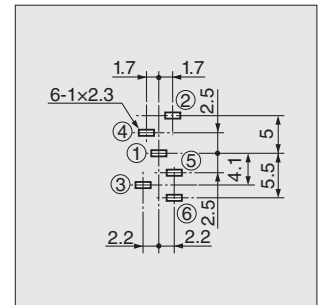
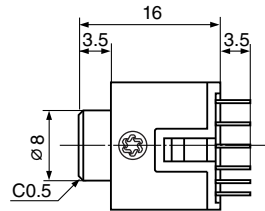
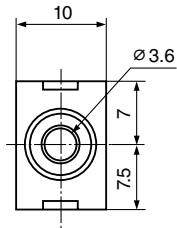
HSJ1406

Vertical Type



HSJ1406-01-010

ℓ=16mm

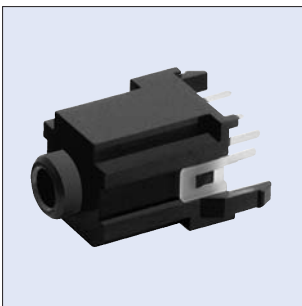


Hole Layout
(Bottom View)

| Schematic | | | | | | |
|---------------|----------------|----------------|----------------|----------------|----------------|----------------|
| Housing Color | Black | Black | Black | Black | Black | Black |
| | HSJ1406-01-010 | HSJ1406-01-020 | HSJ1406-01-030 | HSJ1406-01-040 | HSJ1406-01-050 | HSJ1406-01-060 |

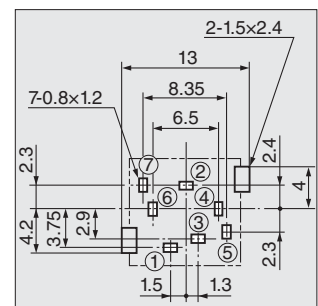
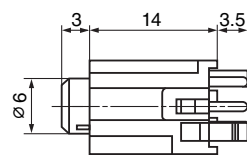
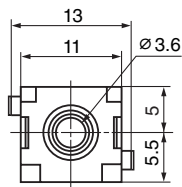
HSJ2630

Vertical Type



HSJ2630-010070

ℓ=17mm



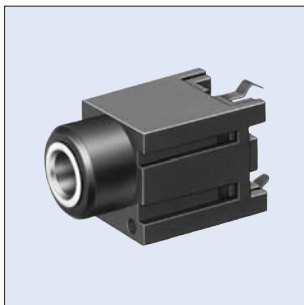
Hole Layout
(Bottom View)

| Schematic | |
|---------------|----------------|
| Housing Color | Black |
| | HSJ2630-010070 |

HSJ1013*

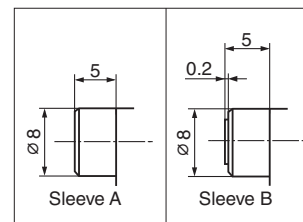
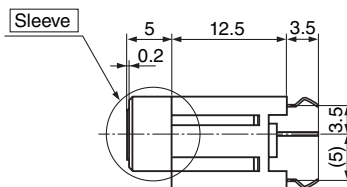
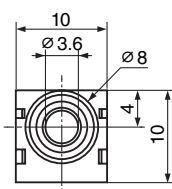
Vertical Type

*HSJ2013 : See table.

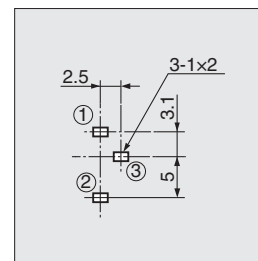


HSJ1013-0101209

$l=17.5\text{mm}$



| | | |
|-----------|---|-----------------|
| Schematic | | |
| | | |
| Sleeve | A | HSJ2013-01-120 |
| | B | HSJ1013-0101209 |



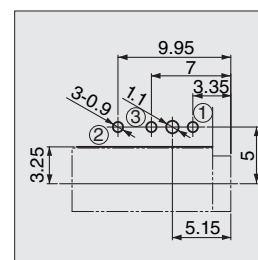
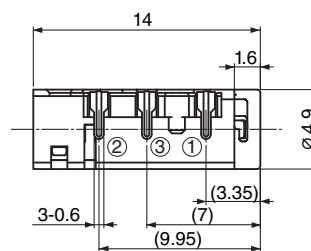
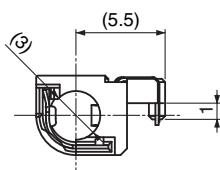
Hole Layout
(Bottom View)

HSJ1938

Mid Mount Type



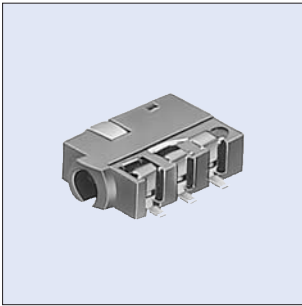
HSJ1938-012040



Hole Layout
(Bottom View)

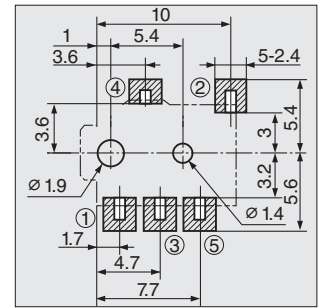
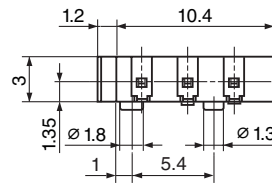
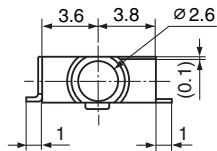
| | | |
|---------------|-------|----------------|
| Schematic | | |
| | | |
| Housing Color | Black | HSJ1938-012040 |

HSJ1621



HSJ1621-012011

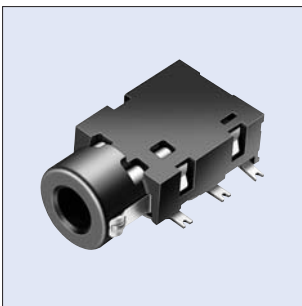
***h*=1.35mm**



**PCB Layout
(Top View)**

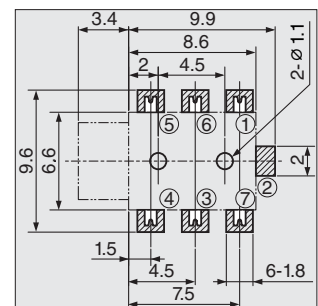
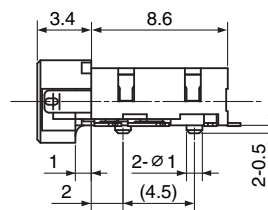
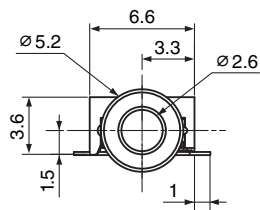
| | | |
|------------------|----------------|---------------------|
| Schematic | | Notes |
| Packaging Style | | |
| Bulk | HSJ1621-012011 | Hand Soldering Only |
| Taping Packaging | HSJ1621-019011 | 1000pcs/reel |

HSJ1757



HSJ1757-019070

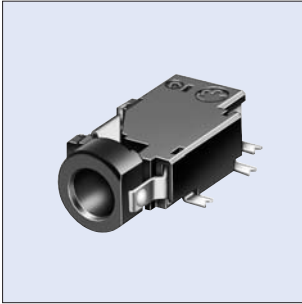
***h*=1.5mm**



**PCB Layout
(Top View)**

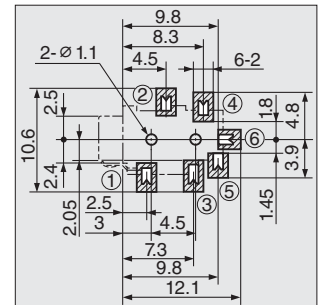
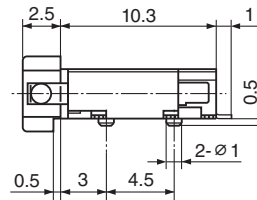
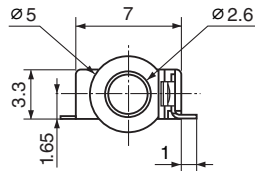
| | | |
|------------------|----------------|--------------|
| Schematic | | Notes |
| Packaging Style | | |
| Taping Packaging | HSJ1757-019070 | 1000pcs/reel |

HSJ1671



HSJ1671-019010

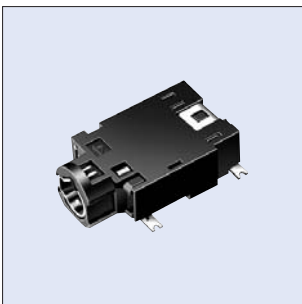
***h*=1.65mm**



**PCB Layout
(Top View)**

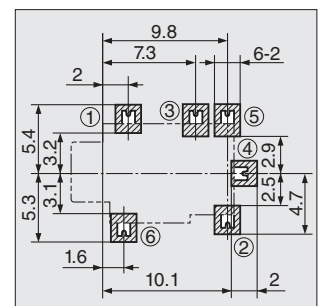
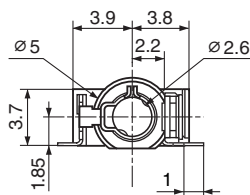
| | | |
|------------------|----------------|--------------|
| Schematic | | Notes |
| Packaging Style | | |
| Taping Packaging | HSJ1671-019010 | 1000pcs/reel |

HSJ2046



HSJ2046-019070

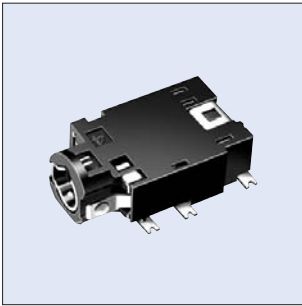
***h*=1.85mm**



**PCB Layout
(Top View)**

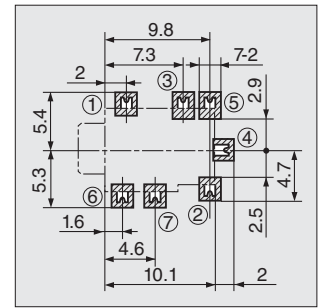
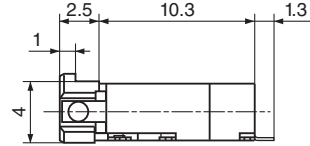
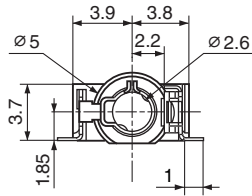
| | | |
|------------------|----------------|--------------|
| Schematic | | Notes |
| Packaging Style | | |
| Taping Packaging | HSJ2046-019070 | 1000pcs/reel |

HSJ2047



HSJ2047-019010

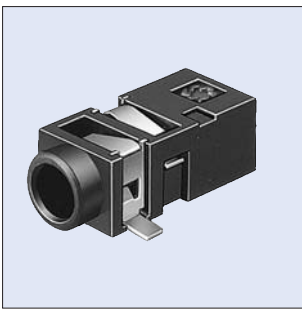
h=1.85mm



PCB Layout
(Top View)

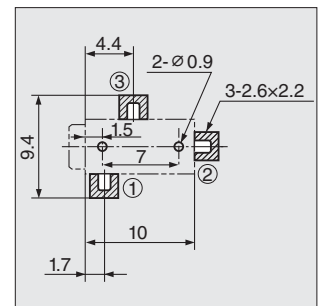
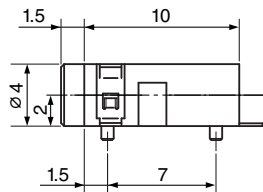
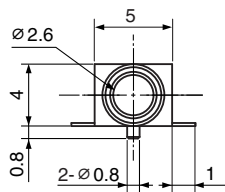
| | | |
|------------------|----------------|-------------|
| Schematic | | Notes |
| Packaging Style | | |
| Taping Packaging | HSJ2047-019010 | 900pcs/reel |

HSJ1169



HSJ1169-012410

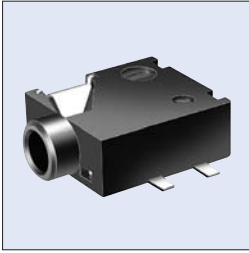
h=2mm



PCB Layout
(Top View)

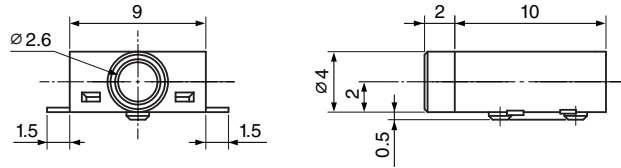
| | | |
|------------------|----------------|---------------------|
| Schematic | | Notes |
| Packaging Style | | |
| Bulk | HSJ1169-012410 | Hand Soldering Only |
| Taping Packaging | HSJ1169-019410 | 1000pcs/reel |

HSJ1612

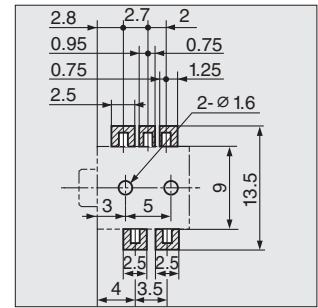


HSJ1612-019711

h=2mm

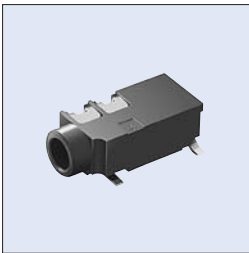


| | | |
|------------------|----------------|---------------------|
| Schematic | | Notes |
| Packaging Style | | |
| Bulk | HSJ1612-012711 | Hand Soldering Only |
| Taping Packaging | HSJ1612-019711 | 1000pcs/reel |



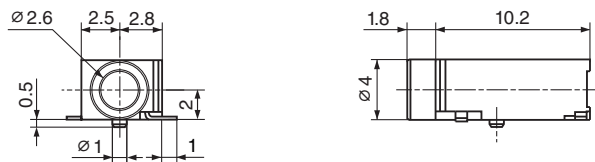
PCB Layout
(Top View)

HSJ1660

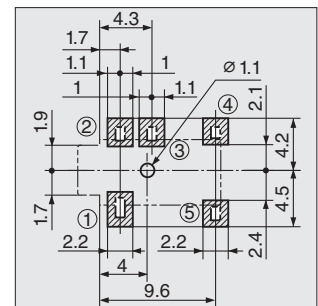


HSJ1660-019570

h=2mm

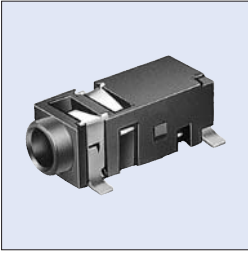


| | | |
|------------------|----------------|--------------|
| Schematic | | Notes |
| Packaging Style | | |
| Taping Packaging | HSJ1660-019570 | 1000pcs/reel |



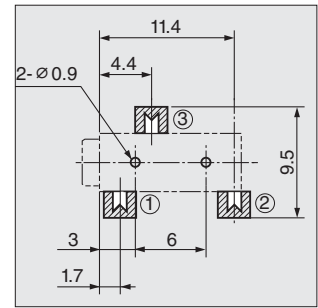
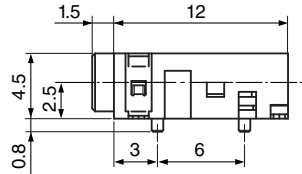
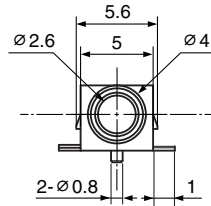
PCB Layout
(Top View)

HSJ1603



HSJ1603-010010

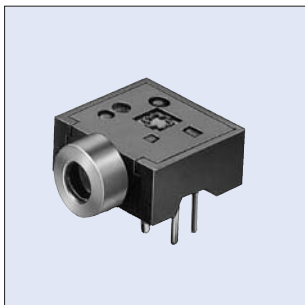
h=2.5mm



**PCB Layout
(Top View)**

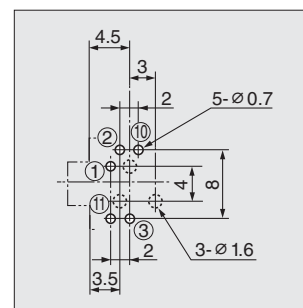
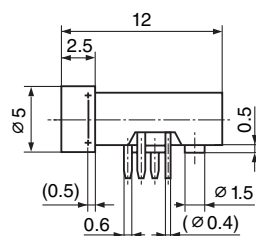
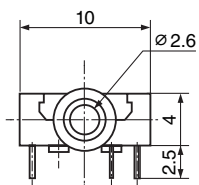
| Schematic | | | Notes |
|------------------|----------------|----------------|---------------------|
| Packaging Style | | | |
| Bulk | HSJ1603-010010 | HSJ1603-010020 | Hand Soldering Only |
| Taping Packaging | HSJ1603-011010 | HSJ1603-011020 | 1000pcs/reel |

HSJ1102



HSJ1102-0105109

h=2.5(2)mm

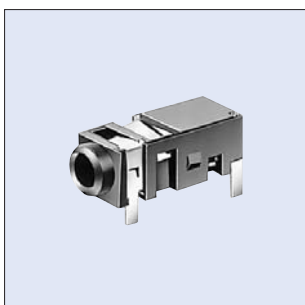


Hole Layout
(Bottom View)

| | | | | | | |
|---------------|-----------------|----------------|-----------------|----------------|-----------------|-----------------|
| Schematic | | | | | | |
| Housing Color | | | | | | |
| Black | HSJ1102-0105109 | HSJ1102-018520 | HSJ1102-0105309 | HSJ1102-018540 | HSJ1102-0105509 | HSJ1102-0105609 |

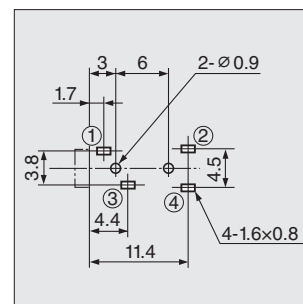
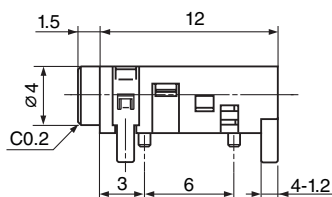
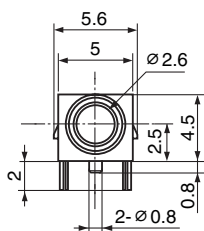
※ In the case of *h*=2mm make a hole at broken line.

HSJ1650



HSJ1650-010020

h=2.5mm

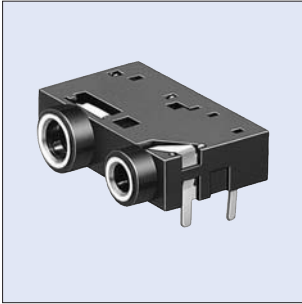


Hole Layout
(Bottom View)

| | | |
|---------------|----------------|----------------|
| Schematic | | |
| Housing Color | | |
| Black | HSJ1650-010020 | HSJ1650-010040 |

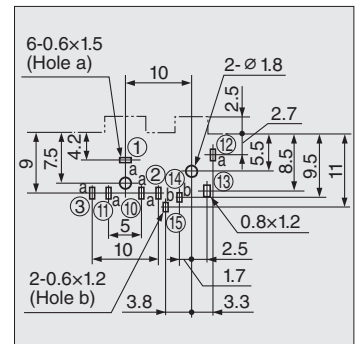
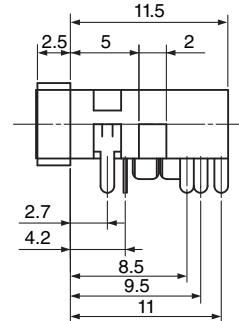
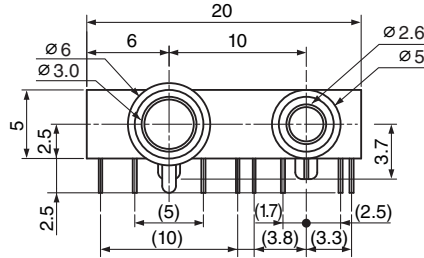
HSJ1468

3.5 DIA & 2.5 DIA Combinations Miniature Jacks



HSJ1468-0100109

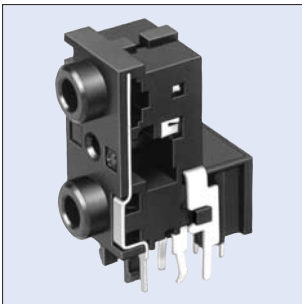
h=2.5mm



Hole Layout
(Bottom View)

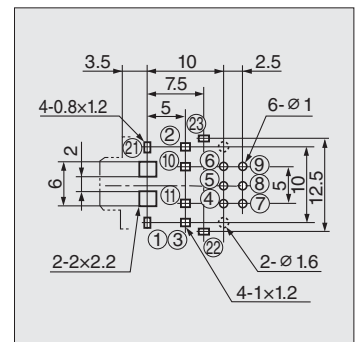
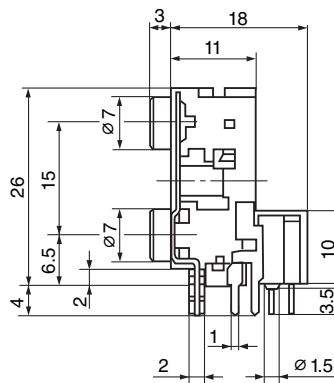
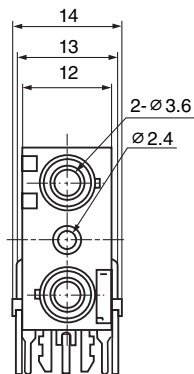
| | | | | | | |
|---------------|-----------------|-----------------|-----------------|-----------------|-----------------|-----------------|
| Schematic | | | | | | |
| | | | | | | |
| Housing Color | Black | | | | | |
| | HSJ1468-0100109 | HSJ1468-0100209 | HSJ1468-0100309 | HSJ1468-0100409 | HSJ1468-0100509 | HSJ1468-0100609 |

HSJ1001



HSJ1001-0160108

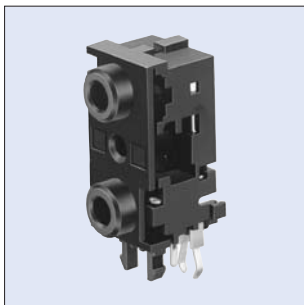
h=6.5mm



Hole Layout
(Bottom View)

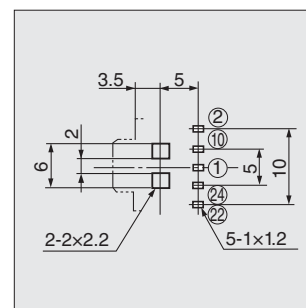
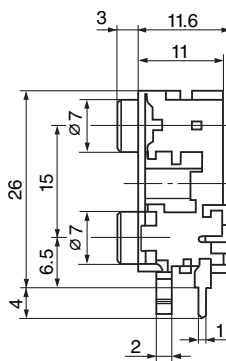
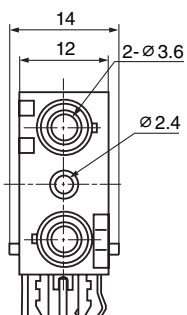
| | | |
|---------------|-----------------|-----------------|
| Schematic | | |
| | | |
| Housing Color | Black | |
| | HSJ1001-0160108 | HSJ1001-0160208 |
| | HSJ1001-0160168 | HSJ1001-0160268 |

HSJ1002



HSJ1002-016010

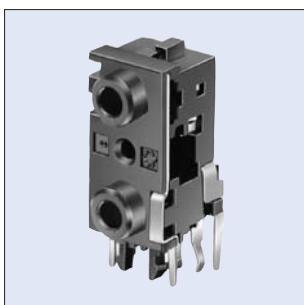
h=6.5mm



Hole Layout
(Bottom View)

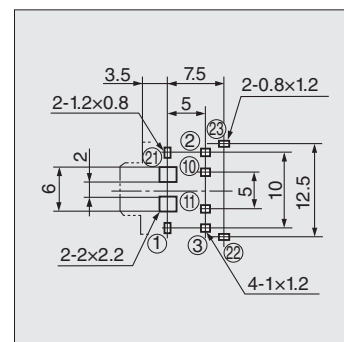
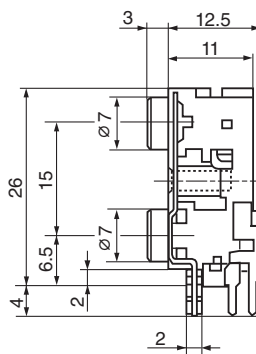
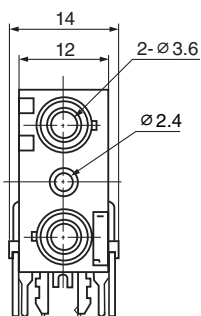
| | | | | |
|---------------|----------------|----------------|----------------|----------------|
| Schematic | | | | |
| | | | | |
| Housing Color | Black | Black | Black | Black |
| | HSJ1002-016010 | HSJ1002-016020 | HSJ1002-016030 | HSJ1002-016040 |

HSJ1003



HSJ1003-016010

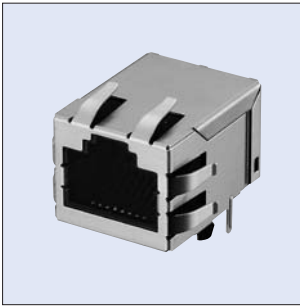
h=6.5mm



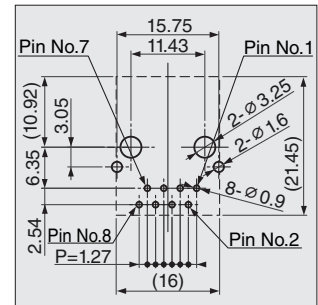
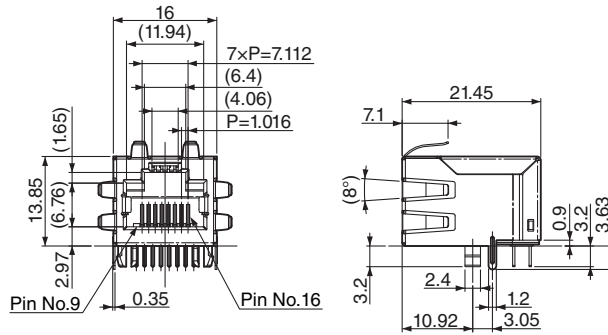
Hole Layout
(Bottom View)

| | | |
|---------------|----------------|----------------|
| Schematic | | |
| | | |
| Housing Color | Black | Black |
| | HSJ1003-016010 | HSJ1003-016020 |

HJC9000



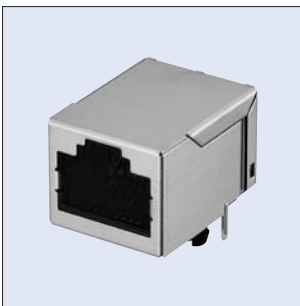
HJC9000-010030



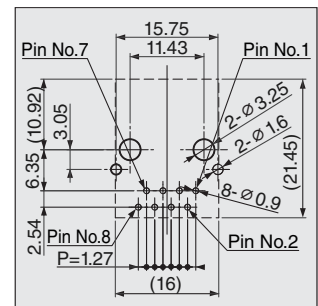
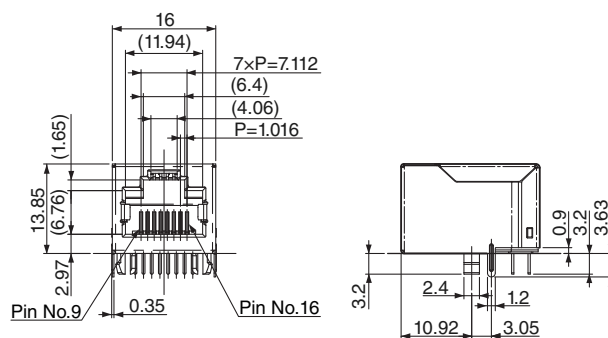
PCB Layout
(Top View)

| | |
|----------------------|-----------------------|
| Rated | 115V AC max. |
| Contact Resistance | 100MΩ min. at 500V DC |
| Withstanding Voltage | 1500V AC / 1 minute |

HJC9000



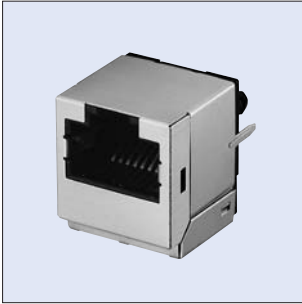
HJC9000-010110



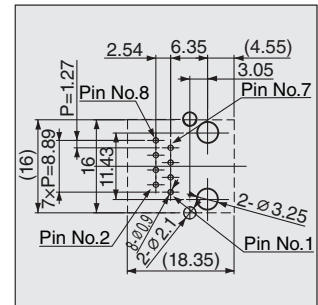
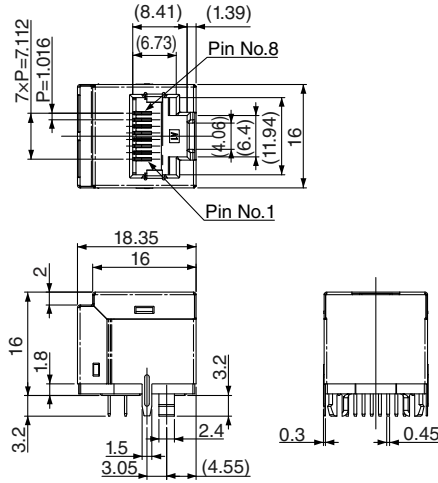
PCB Layout
(Top View)

| | |
|----------------------|-----------------------|
| Rated | 115V AC max. |
| Contact Resistance | 100MΩ min. at 500V DC |
| Withstanding Voltage | 1500V AC / 1 minute |

HJC9001



HJC9001-010010

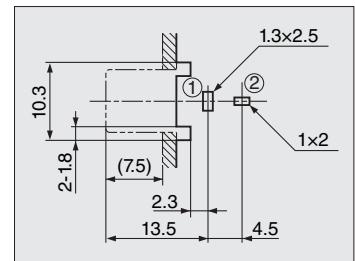
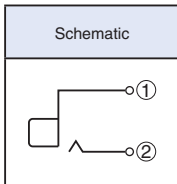
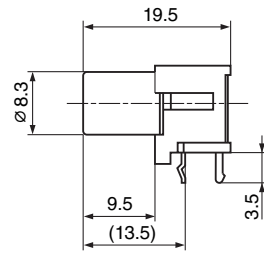
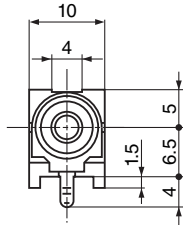
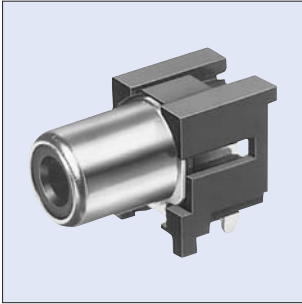


**PCB Layout
(Top View)**

| | |
|----------------------|-----------------------|
| Rated | 115V AC max. |
| Contact Resistance | 100MΩ min. at 500V DC |
| Withstanding Voltage | 1500V AC / 1 minute |

JPJ2025

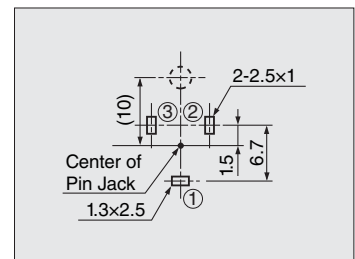
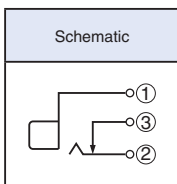
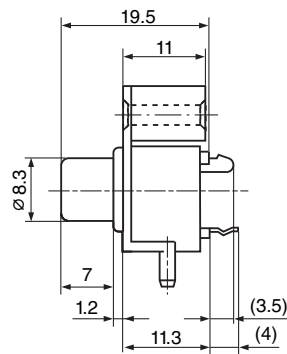
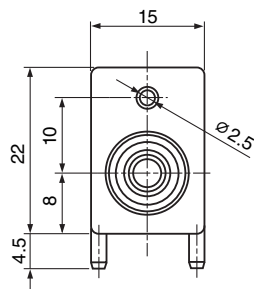
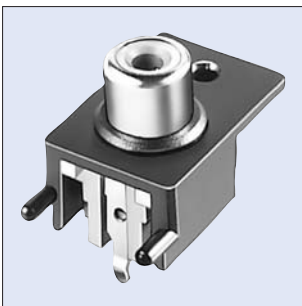
Horizontal Type



Hole Layout
(Bottom View)

JPJ1055

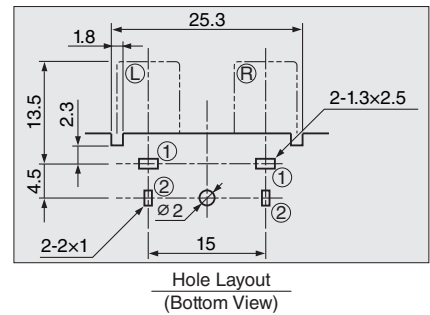
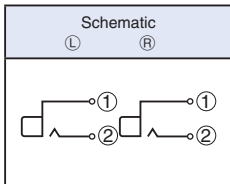
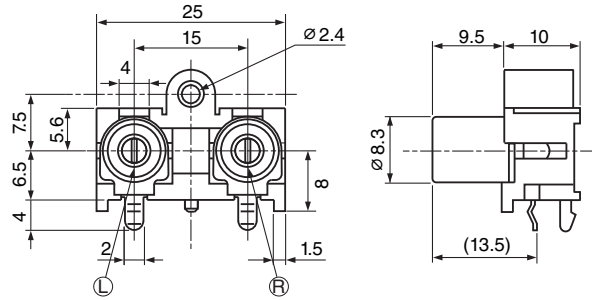
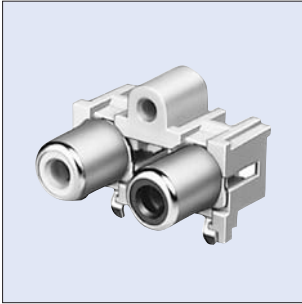
Vertical Type



Hole Layout
(Bottom View)

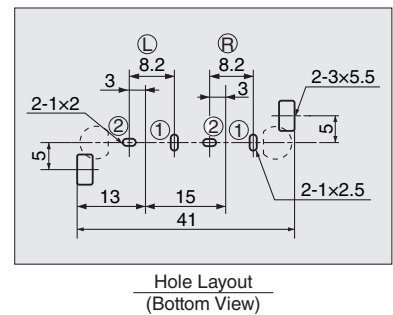
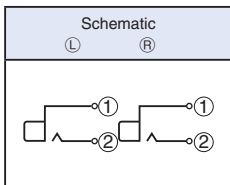
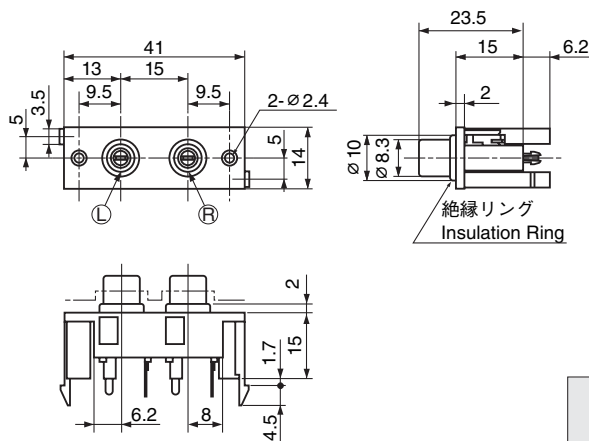
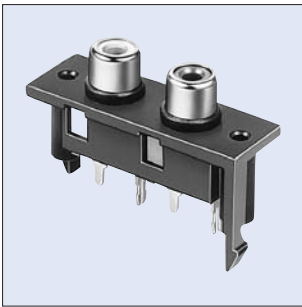
JPJ1611

Horizontal Type



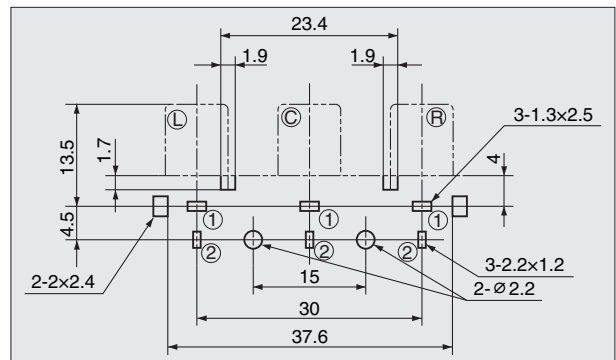
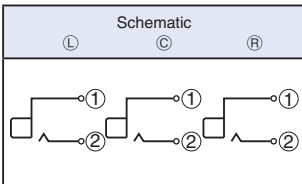
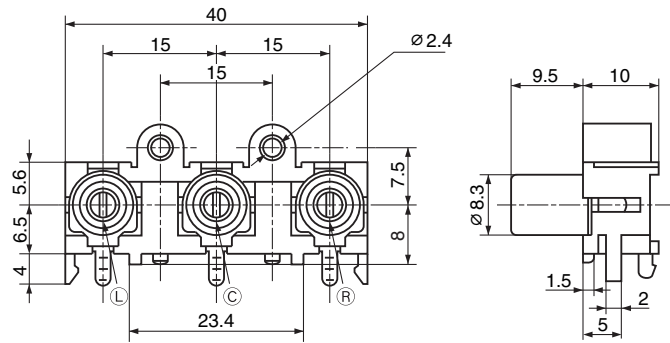
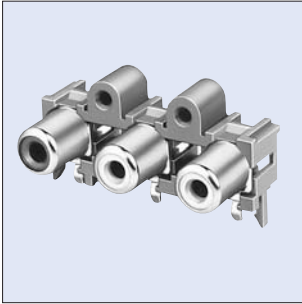
JPJ1151

Vertical Type



JPJ4668

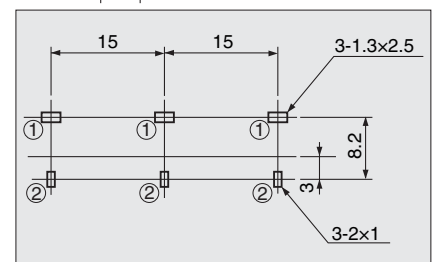
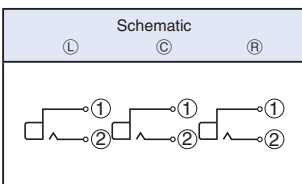
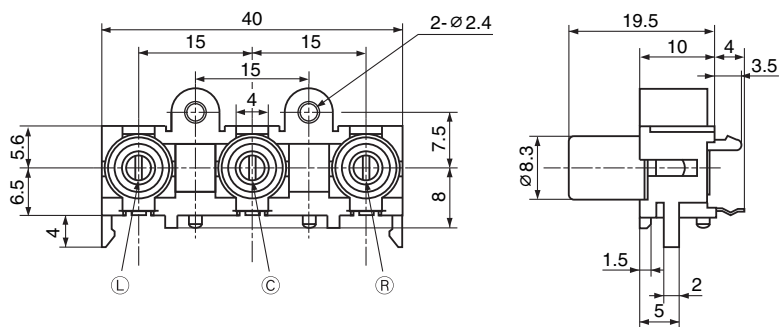
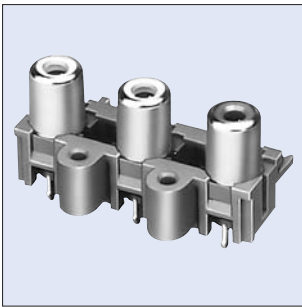
Horizontal Type



Hole Layout
(Bottom View)

JPJ4658

Vertical Type



Hole Layout
(Bottom View)

Model No. Table

| Model No. | Page | | | | | | |
|-----------|------|---------|-----|---------|----|---------|-----|
| HJC9000 | 23 | HSJ1468 | 21 | HSJ1660 | 18 | HSJ2047 | 17 |
| HJC9001 | 24 | HSJ1493 | 9 | HSJ1671 | 16 | HSJ2077 | 7 |
| HSJ1001 | 21 | HSJ1494 | 9 | HSJ1677 | 12 | HSJ2630 | 13 |
| HSJ1002 | 22 | HSJ1501 | 8 | HSJ1680 | 12 | HSJ2636 | 7,9 |
| HSJ1003 | 22 | HSJ1537 | 11 | HSJ1715 | 10 | JPJ1055 | 26 |
| HSJ1013 | 14 | HSJ1594 | 10 | HSJ1757 | 15 | JPJ1151 | 27 |
| HSJ1102 | 20 | HSJ1601 | 8 | HSJ1765 | 6 | JPJ1611 | 27 |
| HSJ1169 | 17 | HSJ1603 | 19 | HSJ1828 | 6 | JPJ2025 | 26 |
| HSJ1403 | 12 | HSJ1612 | 18 | HSJ1938 | 14 | JPJ4658 | 28 |
| HSJ1406 | 13 | HSJ1621 | 15 | HSJ2000 | 12 | JPJ4668 | 28 |
| HSJ1453 | 12 | HSJ1636 | 7,9 | HSJ2013 | 14 | | |
| HSJ1456 | 11 | HSJ1650 | 20 | HSJ2046 | 16 | | |



<http://www.hosiden.com>

Head Office

4-33, Kitakyuhoji 1-chome, Yao-city, Osaka 581-0071, Japan
Phone : +81-72-993-1010 Fax : +81-72-994-5101

Japan

Overseas Division :

4-33, Kitakyuhoji 1-chome, Yao-city, Osaka 581-0071, Japan
Phone : +81-72-993-1010 Fax : +81-72-924-8937

China

Hosiden Electronics(Shanghai) Co., Ltd.

Room 10-11, 13th Floor, MAXDO Center, Xing-Yi Road, Chang-Ning District, Shanghai China
Phone : +86-21-5208-1488 Fax : +86-21-5208-1480

Hosiden (Shenzhen) Co., Ltd.

Room 3818, Changping Commercial Building, Honghua Road, Futian Free Trade Zone, Shenzhen, China
Phone : +86-755-8348-0952 Fax : +86-755-8359-7722

Hong Kong

Hong Kong Hosiden Ltd.

33, Tseuk Luk Street, 6/F-A San Po Kong, Kowloon, Hong Kong
Phone : +852-23238181 Fax : +852-23520425

Taiwan

Taiwan Hosiden Co., Ltd.

10F, No.116, Nanking East Road Sec. 2, Taipei, Taiwan
Phone : +886-2-2571-0017 Fax : +886-2-2561-6413

Singapore

Hosiden Singapore Pte. Ltd.

28, Genting, Lane, #04-06/07, Platinum 28, Singapore 349585
Phone : +65-6296-8100 Fax : +65-6296-8300

Malaysia

Hosiden Corporation(M)Sdn. Bhd.

Lot1,Jalan P/1A,Bangi,Industrial Estate,43650 Bander Baru Bangi, Selangor Darul Ehsan,Malaysia
Phone : +60-3-8925-8655 Fax : +60-3-8926-6122

Thailand

Hosiden (Thailand) Co., Ltd.

889 THAI CC TOWER, 21 Floor, Room 212, South Sathorn Road, Kwaeng Yannawa, Khet Sathorn, Bangkok 10120, Thailand
Phone : +66-2-673-9760, 9761 Fax : +66-2-673-9762

Germany

Hosiden Europe GmbH

Head Office

Graf-Recke-Straße 82, 40239 Düsseldorf, Germany
Phone : +49-211-96493-0 Fax : +49-211-96493-90

France

Branch office Paris

13, rue Camille Desmoulins 92441 Issy Les Moulineaux, France
Phone : +33-1-5804-2484 Fax : +33-1-5804-2300

U.K.

Hosiden Besson Ltd.

11St. Joseph's Trading Estate St. Joseph's Close, Hove, East Sussex, BN3 7EZ, United Kingdom
Phone : +44-1273-860000 Fax : +44-1273-777501

U.S.A.

Hosiden America Corp.

Head Office

120 East State Parkway, Schaumburg, IL, 60173, U.S.A.
Phone : +1-847-885-8870 Fax : +1-847-885-0063

San Jose Sales Office

550 South Winchester Boulevard, Suite 320, San Jose, CA 95128, U.S.A.
Phone : +1-408-985-8780 Fax : +1-408-985-8785

Detroit Sales Office

28970 Cabot Drive, Suite 600, Novi, MI 48377, U.S.A.
Phone : +1-248-489-0174 Fax : +1-248-489-1154

- The contents described in this catalog may be changed without prior notice due to products improvements or discontinuance of production.
- Every product in this catalog is compliant to RoHS directive.

⚠ CAUTION FOR SAFETY

Please use our products properly based on our Drawing and Specification.