

LM140JAN

LM140JAN Three Terminal Positive Regulators



Literature Number: SNVS399

LM140JAN

Three Terminal Positive Regulators

General Description

The monolithic 3-terminal positive voltage regulators employ internal current-limiting, thermal shutdown and safe-area compensation, making them essentially indestructible. If adequate heat sinking is provided, they can deliver over 0.5A and 1.0A output current. They are intended as fixed voltage regulators in a wide range of applications including local (on-card) regulation for elimination of noise and distribution problems associated with single-point regulation. In addition to use as fixed voltage regulators, these devices can be used with external components to obtain adjustable output voltages and currents.

Considerable effort was expended to make the entire series of regulators easy to use and minimize the number of exter-

nal components. It is not necessary to bypass the output, although this does improve transient response. Input bypassing is needed only if the regulator is located far from the filter capacitor of the power supply.

Features

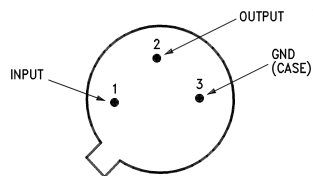
- Complete specifications at 0.5A and 1.0A loads
- No external components
- Internal thermal overload protection
- Internal short circuit current-limiting
- Output transistor safe-area compensation

Ordering Information

NS Part Number	SMD Part Number	NS Package Number	Package Description
JL140-5BXA	JM38510/10702BXA	H03A	3LD TO-39 Metal Can
JL140-5BYA	JM38510/10706BYA	K02C	2LD TO-3 Metal Can
JL140-5SXA	JM38510/10702SXA	H03A	3LD TO-39 Metal Can
JL140-5SYA	JM38510/10706SYA	K02C	2LD TO-3 Metal Can
JL140-12BXA	JM38510/10703BXA	H03A	3LD TO-39 Metal Can
JL140-12BYA	JM38510/10707BYA	K02C	2LD TO-3 Metal Can
JL140-12SXA	JM38510/10703SXA	H03A	3LD TO-39 Metal Can
JL140-15BXA	JM38510/10704BXA	H03A </td <td>3LD TO-39 Metal Can</td>	3LD TO-39 Metal Can
JL140-15BYA	JM38510/10708BYA	K02C	2LD TO-3 Metal Can
JL140-15SYA	JM38510/10708SYA	K02C	2LD TO-3 Metal Can

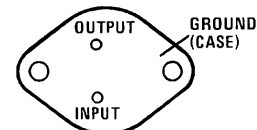
Connection Diagrams

Steel Metal Can TO-39 Package (H)



20164601
Bottom View
See NS Package Number H03A

TO-3 Metal Can (K)



20164602
Bottom View
See NS Package Number K02C

Absolute Maximum Ratings (Note 1)

DC Input Voltage	35V
Internal Power Dissipation (Note 2)	Internally Limited
Maximum Junction Temperature (T_{Jmax})	150°C
Storage Temperature Range	$-65^{\circ}\text{C} \leq T_A \leq +150^{\circ}\text{C}$
Operating Temperature Range	$-55^{\circ}\text{C} \leq T_A \leq +125^{\circ}\text{C}$
Lead Temperature (Soldering 10 seconds)	300°C
Thermal Resistance	
θ_{JA}	
T0-5 (Still Air)	232°C/W
T0-5 (500 LF/Min Air Flow)	77°C/W
T0-3 (Still Air)	35°C/W
T0-3 (500 LF/Min Air Flow)	TBD
θ_{JC}	
T0-5	15°C/W
T0-3	4°C/W
ESD Susceptibility (Note 3)	2KV

Quality Conformance Inspection

MIL-Std-883, Method 5005 - Group A

Subgroup	Description	Temp °C
1	Static tests at	25
2	Static tests at	125
3	Static tests at	-55
4	Dynamic tests at	25
5	Dynamic tests at	125
6	Dynamic tests at	-55
7	Functional tests at	25
8A	Functional tests at	125
8B	Functional tests at	-55
9	Switching tests at	25
10	Switching tests at	125
11	Switching tests at	-55
12	Settling time at	25
13	Settling time at	125
14	Settling time at	-55

LM140H-5.0 (JL140-5BXA, SXA) JAN Electrical Characteristics

DC Parameters

Symbol	Parameter	Conditions	Notes	Min	Max	Unit	Sub-groups
V_O (1)	Output Voltage	$V_I = 8V, I_L = -5mA$		4.75	5.25	V	1, 2, 3
		$V_I = 8V, I_L = -500mA$		4.75	5.25	V	1, 2, 3
		$V_I = 20V, I_L = -5mA$		4.75	5.25	V	1, 2, 3
		$V_I = 20V, I_L = -500mA$		4.75	5.25	V	1, 2, 3
		$V_I = 35V, I_L = -5mA$		4.75	5.25	V	1, 2, 3
		$V_I = 35V, I_L = -50mA$		4.75	5.25	V	1, 2, 3
V_{RLine}	Line Regulation	$8V \leq V_I \leq 35V, I_L = -50mA$		-150	150	mV	1, 2, 3
		$8V \leq V_I \leq 25V, I_L = -350mA$		-50	50	mV	1, 2, 3
V_{RLoad}	Load Regulation	$V_I = 10V, -500mA \leq I_L \leq -5mA$		-100	100	mV	1, 2, 3
		$V_I = 35V, -50mA \leq I_L \leq -5mA$		-150	150	mV	1, 2, 3
I_{SCD}	Stand by Current Drain	$V_I = 10V, I_L = -5mA$		-7.0	-0.5	mA	1, 2, 3
		$V_I = 35V, I_L = -5mA$		-8.0	-0.5	mA	1, 2, 3
ΔI_{SCD} Line	Stand by I_{Drain} vs. V_{Line}	$8V \leq V_I \leq 35V, I_L = -5mA$		-1.0	1.0	mA	1, 2, 3
ΔI_{SCD} Load	Stand by I_{Drain} vs. I_{Load}	$V_I = 10V, -500mA \leq I_L \leq -5mA$		-0.5	0.5	mA	1, 2, 3
I_{OL}	Overload Current	$V_I = 8V, \text{Forced } \Delta V_O = -0.48V$		-2.0	-0.5	A	1, 2, 3
I_{OS}	Output Short Circuit Current	$V_I = 10V$		-2.0	-0.01	A	1, 2, 3
		$V_I = 25V$		-1.5	-0.01	A	1, 2, 3
		$V_I = 35V$		-1.0	-0.01	A	1, 2, 3
V_O (2)	Output Voltage	$V_I = 10V, I_L = -5mA$	(Note 4)	4.7	5.3	V	2
V_O (3)	Output Voltage	$V_I = 10V, I_L = -5mA$	(Note 5)	4.75	5.25	V	7, 8A, 8B
$\Delta V_O / \Delta T$	Average Temperature Coefficient of Output Voltage	$V_I = 10V, I_L = -5mA, 25^\circ C \leq T_A \leq 125^\circ C$	(Note 6)	-2.0	2.0	mV/°C	8A
		$V_I = 10V, I_L = -5mA, -55^\circ C \leq T_A \leq 25^\circ C$	(Note 6)	-2.0	2.0	mV/°C	8B

AC Parameters

Symbol	Parameter	Conditions	Notes	Min	Max	Unit	Sub-groups
NO	Output Noise Voltage	$V_I = 10V, I_L = -50mA$			125	μV_{RMS}	7
$\Delta V_O / \Delta V_I$	Transient Line Response	$V_I = 10V, I_L = -5mA, V_{Pulse} = 3V$			30	mV/V	7
$\Delta V_O / \Delta I_L$	Transient Load Response	$V_I = 10V, \Delta I_L = -200mA, I_L = -50mA$			2.5	mV/mA	7
$\Delta V_I / \Delta V_O$	Ripple Rejection	$V_I = 10V, I_L = -125mA, e_i = 1V_{RMS}$ at $f = 2400Hz$,		60		dB	4

DC Drift Parameters

Delta calculations performed on JAN S devices at group B, Subgroup 5, only.

Symbol	Parameter	Conditions	Notes	Min	Max	Unit	Sub-groups
V_O	Output Voltage	$V_I = 8V, I_L = -5mA$		-0.025	0.025	V	1
		$V_I = 8V, I_L = -500mA$		-0.025	0.025	V	1
		$V_I = 20V, I_L = -5mA$		-0.025	0.025	V	1
		$V_I = 20V, I_L = -500mA$		-0.025	0.025	V	1
		$V_I = 35V, I_L = -5mA$		-0.025	0.025	V	1
		$V_I = 35V, I_L = -50mA$		-0.025	0.025	V	1
I_{SCD}	Stand by Current Drain	$V_I = 10V, I_L = -5mA$		-20	20	%	1

LM140H-12 (JL140-12BXA, SXA) JAN Electrical Characteristics

DC Parameters

Symbol	Parameter	Conditions	Notes	Min	Max	Unit	Sub-groups
V_O (1)	Output Voltage	$V_I = 15V, I_L = -5mA$		11.4	12.6	V	1, 2, 3
		$V_I = 15V, I_L = -0.5A$		11.4	12.6	V	1, 2, 3
		$V_I = 27V, I_L = -5mA$		11.4	12.6	V	1, 2, 3
		$V_I = 27V, I_L = -0.5A$		11.4	12.6	V	1, 2, 3
		$V_I = 35V, I_L = -5mA$		11.4	12.6	V	1, 2, 3
		$V_I = 35V, I_L = -50mA$		11.4	12.6	V	1, 2, 3
V_{RLine}	Line Regulation	$15V \leq V_I \leq 35V, I_L = -50mA$		-360	360	mV	1, 2, 3
		$15V \leq V_I \leq 32V, I_L = -350mA$		-120	120	mV	1, 2, 3
V_{RLoad}	Load Regulation	$V_I = 17V, -500mA \leq I_L \leq -5mA$		-240	240	mV	1, 2, 3
		$V_I = 35V, -50mA \leq I_L \leq -5mA$		-360	360	mV	1, 2, 3
I_{SCD}	Stand by Current Drain	$V_I = 17V, I_L = -5mA$		-7.0	-0.5	mA	1, 2, 3
		$V_I = 35V, I_L = -5mA$		-8.0	-0.5	mA	1, 2, 3
$\Delta I_{SCD} \text{ Line}$	Stand by I_{Drain} vs. V_{Line}	$15V \leq V_I \leq 35V, I_L = -5mA$		-1.0	1.0	mA	1, 2, 3
$\Delta I_{SCD} \text{ Load}$	Stand by I_{Drain} vs. I_{Load}	$V_I = 17V, -500mA \leq I_L \leq -5mA$		-0.5	0.5	mA	1, 2, 3
I_{OL}	Over Load Current	$V_I = 15V, \Delta V_O = -1.13V$		-2.0	-0.5	A	1, 2, 3
I_{OS}	Output Short Circuit Current	$V_I = 17V$		-1.75	-0.01	A	1, 2, 3
		$V_I = 32V$		-1.25	-0.01	A	1, 2, 3
		$V_I = 35V$		-1.00	-0.01	A	1, 2, 3
V_O (2)	Output Voltage	$V_I = 17V, I_L = -5mA$	(Note 4)	11.28	12.72	V	2
V_O (3)	Output Voltage	$V_I = 17V, I_L = -5mA$	(Note 5)	11.4	12.6	V	7, 8A, 8B
$\Delta V_O / \Delta T$	Average Temperature Coefficient Output Voltage	$25^\circ C \leq T_A \leq +125^\circ C,$ $V_I = 17V, I_L = -5mA$	(Note 7)	-3.0	3.0	mV/ $^\circ C$	8A
		$-55^\circ C \leq T_A \leq 25^\circ C,$ $V_I = 17V, I_L = -5mA$	(Note 7)	-3.0	3.0	mV/ $^\circ C$	8B

AC Parameters

Symbol	Parameter	Conditions	Notes	Min	Max	Unit	Sub-groups
NO	Output Noise Voltage	$V_I = 17V, I_L = -50mA$			250	μV_{RMS}	7
$\Delta V_O / \Delta I_L$	Transient Load Response	$V_I = 17V, I_L = -50mA,$ $\Delta I_L = -200mA$			2.5	mV/mA	7
$\Delta V_O / \Delta V_I$	Transient Line Response	$V_I = 17V, V_{Pulse} = 3V,$ $I_L = -5mA$			30	mV/V	7
$\Delta V_I / \Delta V_O$	Ripple Rejection	$V_I = 17V, I_L = -125mA,$ $e_i = 1V_{RMS}$ at $f = 2400Hz$		55		dB	4

DC Drift Parameters

Delta calculations performed on JAN S devices at group B, Subgroup 5, only.

Symbol	Parameter	Conditions	Notes	Min	Max	Unit	Sub-groups
V_O	Output Voltage	$V_I = 15V, I_L = -5mA$		-0.06	0.06	V	1
		$V_I = 15V, I_L = -0.5A$		-0.06	0.06	V	1
		$V_I = 27V, I_L = -5mA$		-0.06	0.06	V	1
		$V_I = 27V, I_L = -0.5A$		-0.06	0.06	V	1
		$V_I = 35V, I_L = -5mA$		-0.06	0.06	V	1
		$V_I = 35V, I_L = -50mA$		-0.06	0.06	V	1
I_{SCD}	Stand by Current Drain	$V_I = 17V, I_L = -5mA$		-20	20	%	1

LM140H-15 (JL140-15BXA) JAN Electrical Characteristics

DC Parameters

Symbol	Parameter	Conditions	Notes	Min	Max	Unit	Sub-groups
V_O (1)	Output Voltage	$V_I = 18.5V, I_L = -5mA$		14.25	15.75	V	1, 2, 3
		$V_I = 18.5V, I_L = -500mA$		14.25	15.75	V	1, 2, 3
		$V_I = 30V, I_L = -5mA$		14.25	15.75	V	1, 2, 3
		$V_I = 30V, I_L = -500mA$		14.25	15.75	V	1, 2, 3
		$V_I = 35V, I_L = -5mA$		14.25	15.75	V	1, 2, 3
		$V_I = 35V, I_L = -50mA$		14.25	15.75	V	1, 2, 3
V_{RLine}	Line Regulation	$18.5V \leq V_I \leq 35V, I_L = -350mA$		-150	150	mV	1, 2, 3
V_{RLOAD}	Load Regulation	$-500mA \leq I_L \leq -5mA, V_I = 20V$		-300	300	mV	1, 2, 3
		$-50mA \leq I_L \leq -5mA, V_I = 35V$		-450	450	mV	1, 2, 3
I_{SCD}	Stand by Current Drain	$V_I = 20V, I_L = -5mA$		-7.0	-0.5	mA	1, 2, 3
		$V_I = 35V, I_L = -5mA$		-8.0	-0.5	mA	1, 2, 3
ΔI_{SCD} Line	Stand by I_{Drain} vs. V_{Line}	$18.5V \leq V_I \leq 35V, I_L = -5mA$		-1.0	1.0	mA	1, 2, 3
ΔI_{SCD} Load	Stand by I_{Drain} vs. I_{Load}	$-500mA \leq I_L \leq -5mA, V_I = 20V$		-0.5	0.5	mA	1, 2, 3
I_{OL}	Overload Current	Forced $\Delta V_O = -1.43V$, $V_I = 18.5V$		-2.0	-0.5	A	1, 2, 3
I_{OS}	Output Short Circuit Current	$V_I = 20V$		-1.75	-0.01	A	1, 2, 3
	Output Short Circuit Current	$V_I = 35V$		-1.0	-0.01	A	1, 2, 3
V_O (2)	Output Voltage	$V_I = 20V, I_L = -5mA$	(Note 4)	14.1	15.9	V	2
V_O (3)	Output Voltage	$V_I = 20V, I_L = -5mA$	(Note 5)	14.25	15.75	V	7, 8A, 8B
$\Delta V_O / \Delta T$	Average Temperature Coefficient Output Voltage	$25^\circ C \leq T_A \leq +125^\circ C$, $V_I = 20V, I_L = -5mA$	(Note 7)	-3.75	3.75	mV/°C	8A
	Average Temperature Coefficient Output Voltage	$-55^\circ C \leq T_A \leq 25^\circ C$, $V_I = 20V, I_L = -5mA$	(Note 7)	-3.75	3.75	mV/°C	8B

AC Parameters

Symbol	Parameter	Conditions	Notes	Min	Max	Unit	Sub-groups
NO	Output Noise Voltage	$V_I = 20V, I_L = -50mA$			300	μV_{RMS}	7
$\Delta V_O / \Delta I_L$	Transient Load Response	$\Delta I_L = -200mA, V_I = 20V$, $I_L = -50mA$			2.5	mV/mA	7
$\Delta V_O / \Delta V_I$	Transient Line Response	$V_I = 20V, I_L = -5mA$, $V_{Pulse} = 3V$			30	mV/V	7
$\Delta V_I / \Delta V_O$	Ripple Rejection	$V_I = 20V, I_L = -125mA$, $e_i = 1V_{RMS}$ at $f = 2400Hz$		53		dB	4

DC Drift Parameters

Delta calculations performed on JAN S devices at group B, Subgroup 5, only.

Symbol	Parameter	Conditions	Notes	Min	Max	Unit	Sub-groups
V_O	Output Voltage	$V_I = 18.5V, I_L = -5mA$		-0.075	0.075	V	1
		$V_I = 18.5V, I_L = -500mA$		-0.075	0.075	V	1
		$V_I = 30V, I_L = -5mA$		-0.075	0.075	V	1
		$V_I = 30V, I_L = -500mA$		-0.075	0.075	V	1
		$V_I = 35V, I_L = -5mA$		-0.075	0.075	V	1
		$V_I = 35V, I_L = -50mA$		-0.075	0.075	V	1
I_{SCD}	Stand by Current Drain	$V_I = 20V, I_L = -5mA$		-20	20	%	1

LM140K-5.0 (JL140-5BYA, SYA) JAN Electrical Characteristics

DC Parameters

Symbol	Parameter	Conditions	Notes	Min	Max	Unit	Sub-groups
V_O (1)	Output Voltage	$V_I = 8V, I_L = -5mA$		4.75	5.25	V	1, 2, 3
		$V_I = 8V, I_L = -1A$		4.75	5.25	V	1, 2, 3
		$V_I = 20V, I_L = -5mA$		4.75	5.25	V	1, 2, 3
		$V_I = 20V, I_L = -1A$		4.75	5.25	V	1, 2, 3
		$V_I = 35V, I_L = -5mA$		4.75	5.25	V	1, 2, 3
		$V_I = 35V, I_L = -0.1A$		4.75	5.25	V	1, 2, 3
V_{RLine}	Line Regulation	$8V \leq V_I \leq 35V, I_L = -0.1A$		-150	150	mV	1, 2, 3
		$8V \leq V_I \leq 25V, I_L = -0.5A$		-50	50	mV	1, 2, 3
V_{RLoad}	Load Regulation	$V_I = 10V, -1A \leq I_L \leq -5mA$		-100	100	mV	1, 2, 3
		$V_I = 35V, -0.1A \leq I_L \leq -5mA$		-150	150	mV	1, 2, 3
I_{SCD}	Stand by Current Drain	$V_I = 10V, I_L = -5mA$		-7.0	-0.5	mA	1, 2, 3
		$V_I = 35V, I_L = -5mA$		-8.0	-0.5	mA	1, 2, 3
$\Delta I_{SCD} \text{ Line}$	Stand by I_{Drain} vs. V_{Line}	$8V \leq V_I \leq 35V, I_L = -5mA$		-1.0	1.0	mA	1, 2, 3
$\Delta I_{SCD} \text{ Load}$	Stand by I_{Drain} vs. I_{Load}	$V_I = 10V, -1A \leq I_L \leq -5mA$		-0.5	0.5	mA	1, 2, 3
I_{OL}	Overload Current	$V_I = 8V, \text{Forced } \Delta V_O = -0.48V$		-4.0	-1.0	A	1, 2, 3
I_{OS}	Output Short Circuit Current	$V_I = 10V$		-4.0	-0.02	A	1, 2, 3
		$V_I = 25V$		-3.0	-0.02	A	1, 2, 3
		$V_I = 35V$		-2.0	-0.02	A	1, 2, 3
V_O (2)	Output Voltage	$V_I = 10V, I_L = -5mA$	(Note 4)	4.7	5.3	V	2
V_O (3)	Output Voltage	$V_I = 10V, I_L = -5mA$	(Note 5)	4.75	5.25	V	7, 8A, 8B
$\Delta V_O / \Delta T$	Average Temperature Coefficient Output Voltage	$V_I = 10V, I_L = -5mA, 25^\circ C \leq T_A \leq 125^\circ C$	(Note 6)	-2.0	2.0	mV/°C	8A
		$V_I = 10V, I_L = -5mA, -55^\circ C \leq T_A \leq 25^\circ C$	(Note 6)	-2.0	2.0	mV/°C	8B

AC Parameters

Symbol	Parameter	Conditions	Notes	Min	Max	Unit	Sub-groups
NO	Output Noise Voltage	$V_I = 10V, I_L = -0.1A$			125	μV_{RMS}	7
$\Delta V_O / \Delta V_I$	Transient Line Response	$V_I = 10V, V_{Pulse} = 3V, I_L = -5mA$			30	mV/V	7
$\Delta V_O / \Delta I_L$	Transient Load Response	$V_I = 10V, \Delta I_L = -400mA, I_L = -100mA$			2.5	mV/mA	7
$\Delta V_I / \Delta V_O$	Ripple Rejection	$V_I = 10V, I_L = -350mA, e_i = 1V_{RMS} \text{ at } f = 2400Hz$		60		dB	4

DC Drift Parameters

Delta calculations performed on JAN S devices at group B, Subgroup 5, only.

Symbol	Parameter	Conditions	Notes	Min	Max	Unit	Sub-groups
V_O	Output Voltage	$V_I = 8V, I_L = -5mA$		-0.025	0.025	V	1
		$V_I = 8V, I_L = -1A$		-0.025	0.025	V	1
		$V_I = 20V, I_L = -5mA$		-0.025	0.025	V	1
		$V_I = 20V, I_L = -1A$		-0.025	0.025	V	1
		$V_I = 35V, I_L = -5mA$		-0.025	0.025	V	1
		$V_I = 35V, I_L = -0.1A$		-0.025	0.025	V	1
I_{SCD}	Stand by Current Drain	$V_I = 10V, I_L = -5mA$		-20	20	%	1

LM140K-12 (JL140-12BYA) JAN Electrical Characteristics

DC Parameters

Symbol	Parameter	Conditions	Notes	Min	Max	Unit	Sub-groups
V_O (1)	Output Voltage	$V_I = 15V, I_L = -5mA$		11.4	12.6	V	1, 2, 3
		$V_I = 15V, I_L = -1A$		11.4	12.6	V	1, 2, 3
		$V_I = 27V, I_L = -5mA$		11.4	12.6	V	1, 2, 3
		$V_I = 27V, I_L = -1A$		11.4	12.6	V	1, 2, 3
		$V_I = 35V, I_L = -5mA$		11.4	12.6	V	1, 2, 3
		$V_I = 35V, I_L = -0.1A$		11.4	12.6	V	1, 2, 3
V_{RLine}	Line Regulation	$15V \leq V_I \leq 35V, I_L = -0.1A$		-360	360	mV	1, 2, 3
		$15V \leq V_I \leq 32V, I_L = -0.5A$		-120	120	mV	1, 2, 3
V_{RLoad}	Load Regulation	$V_I = 17V, -1A \leq I_L \leq -5mA$		-240	240	mV	1, 2, 3
		$V_I = 35V, -0.1A \leq I_L \leq -5mA$		-360	360	mV	1, 2, 3
I_{SCD}	Stand by Current Drain	$V_I = 17V, I_L = -5mA$		-7.0	-0.5	mA	1, 2, 3
		$V_I = 35V, I_L = -5mA$		-8.0	-0.5	mA	1, 2, 3
ΔI_{SCD} Line	Stand by I_{Drain} vs. V_{Line}	$15V \leq V_I \leq 35V, I_L = -5mA$		-1.0	1.0	mA	1, 2, 3
ΔI_{SCD} Load	Stand by I_{Drain} vs. I_{Load}	$V_I = 17V, -1A \leq I_L \leq -5mA$		-0.5	0.5	mA	1, 2, 3
I_{OL}	Over Load Current	Forced $\Delta V_O = -1.13V, V_I = 15V$		-4.0	-1.0	A	1, 2, 3
I_{OS}	Output Short Circuit Current	$V_I = 17V$		-3.5	-0.02	A	1, 2, 3
		$V_I = 32V$		-2.5	-0.02	A	1, 2, 3
		$V_I = 35V$		-2.0	-0.02	A	1, 2, 3
V_O (2)	Output Voltage	$V_I = 17V, I_L = -5mA$	(Note 4)	11.28	12.72	V	2
V_O (3)	Output Voltage	$V_I = 17V, I_L = -5mA$	(Note 5)	11.4	12.6	V	7, 8A, 8B
$\Delta V_O / \Delta T$	Average Temperature Coefficient Output Voltage	$25^\circ C \leq T_A \leq +125^\circ C,$ $V_I = 17V, I_L = -5mA$	(Note 7)	-3.0	3.0	mV/°C	8A
		$-55^\circ C \leq T_A \leq 25^\circ C,$ $V_I = 17V, I_L = -5mA$	(Note 7)	-3.0	3.0	mV/°C	8B

AC Parameters

Symbol	Parameter	Conditions	Notes	Min	Max	Unit	Sup - groups
NO	Output Noise Voltage	$V_I = 17V, I_L = -0.1A$			250	μV_{RMS}	7
$\Delta V_O / \Delta I_L$	Transient Load Response	$V_I = 17V, I_L = -100mA,$ $\Delta I_L = -400mA$			2.5	mV/mA	7
$\Delta V_O / \Delta V_I$	Transient Line Response	$V_I = 17V, V_{Pulse} = 3V,$ $I_L = -5mA$			30	mV/V	7
$\Delta V_I / \Delta V_O$	Ripple Rejection	$V_I = 17V, e_I = 1V_{RMS}$ at $f = 2400Hz, I_L = -350mA$		55		dB	4

DC Drift Parameters

Delta calculations performed on JAN S devices at group B, Subgroup 5, only.

Symbol	Parameter	Conditions	Notes	Min	Max	Unit	Sub-groups
V_O	Output Voltage	$V_I = 15V, I_L = -5mA$		-0.06	0.06	V	1
		$V_I = 15V, I_L = -1A$		-0.06	0.06	V	1
		$V_I = 27V, I_L = -5mA$		-0.06	0.06	V	1
		$V_I = 27V, I_L = -1A$		-0.06	0.06	V	1
		$V_I = 35V, I_L = -5mA$		-0.06	0.06	V	1
		$V_I = 35V, I_L = -0.1A$		-0.06	0.06	V	1
I_{SCD}	Stand by Current Drain	$V_I = 17V, I_L = -5mA$		-20	20	%	1

LM140K-15 (JL140-15BYA, SYA) JAN Electrical Characteristics

DC Parameters

Symbol	Parameter	Conditions	Notes	Min	Max	Unit	Sub-groups
V_O (1)	Output Voltage	$V_I = 18.5V, I_L = -5mA$		14.25	15.75	V	1, 2, 3
		$V_I = 18.5V, I_L = -1A$		14.25	15.75	V	1, 2, 3
		$V_I = 30V, I_L = -5mA$		14.25	15.75	V	1, 2, 3
		$V_I = 30V, I_L = -1A$		14.25	15.75	V	1, 2, 3
		$V_I = 35V, I_L = -5mA$		14.25	15.75	V	1, 2, 3
		$V_I = 35V, I_L = -0.1A$		14.25	15.75	V	1, 2, 3
V_{RLine}	Line Regulation	$18.5V \leq V_I \leq 35V, I_L = -0.5A$		-150	150	mV	1, 2, 3
V_{RLoad}	Load Regulation	$V_I = 20V, -1A \leq I_L \leq -5mA$		-300	300	mV	1, 2, 3
		$V_I = 35V, -0.1A \leq I_L \leq -5mA$		-450	450	mV	1, 2, 3
I_{SCD}	Stand by Current Drain	$V_I = 20V, I_L = -5mA$		-7.0	-0.5	mA	1, 2, 3
		$V_I = 35V, I_L = -5mA$		-8.0	-0.5	mA	1, 2, 3
ΔI_{SCD} Line	Stand by I_{Drain} vs. V_{Line}	$18.5V \leq V_I \leq 35V, I_L = -5mA$		-1.0	1.0	mA	1, 2, 3
ΔI_{SCD} Load	Stand by I_{Drain} vs. I_{Load}	$V_I = 20V, -1A \leq I_L \leq -5mA$		-0.5	0.5	mA	1, 2, 3
I_{OL}	Overload Current	Forced $\Delta V_O = -1.43V$, $V_I = 18.5V$		-4.0	-1.0	A	1, 2, 3
I_{OS}	Output Short Circuit Current	$V_I = 20V$		-3.5	-0.02	A	1, 2, 3
		$V_I = 35V$		-2.0	-0.02	A	1, 2, 3
V_O (2)	Output Voltage	$V_I = 20V, I_L = -5mA$	(Note 4)	14.1	15.9	V	2
V_O (3)	Output Voltage	$V_I = 20V, I_L = -5mA$	(Note 5)	14.25	15.75	V	7, 8A, 8B
$\Delta V_O / \Delta T$	Average Temperature Coefficient Output Voltage	$25^\circ C \leq T_A \leq +125^\circ C$, $V_I = 20V, I_L = -5mA$	(Note 8)	-3.75	3.75	mV/ $^\circ C$	8A
		$-55^\circ C \leq T_A \leq 25^\circ C$, $V_I = 20V, I_L = -5mA$	(Note 8)	-3.75	3.75	mV/ $^\circ C$	8B

AC Parameters

Symbol	Parameter	Conditions	Notes	Min	Max	Unit	Sub-groups
NO	Output Noise Voltage	$V_I = 20V, I_L = -0.1A$			300	μV_{RMS}	7
$\Delta V_O / \Delta I_L$	Transient Load Response	$\Delta I_L = -400mA, V_I = 20V$, $I_L = -100mA$			2.5	mV/mA	7
$\Delta V_O / \Delta V_I$	Transient Line Response	$V_I = 20V, V_{Pulse} = 3V$, $I_L = -5mA$			30	mV/V	7
$\Delta V_I / \Delta V_O$	Ripple Rejection	$V_I = 20V, I_L = -350mA$, $e_1 = 1V_{RMS}$ at $f = 2400Hz$		53		dB	4

DC Drift Parameters

Delta calculations performed on JAN S devices at group B, Subgroup 5, only.

Symbol	Parameter	Conditions	Notes	Min	Max	Unit	Sub-groups
V_O	Output Voltage	$V_I = 18.5V, I_L = -5mA$		-0.075	0.075	V	1
		$V_I = 18.5V, I_L = -1A$		-0.075	0.075	V	1
		$V_I = 30V, I_L = -5mA$		-0.075	0.075	V	1
		$V_I = 30V, I_L = -1A$		-0.075	0.075	V	1
		$V_I = 35V, I_L = -5mA$		-0.075	0.075	V	1
		$V_I = 35V, I_L = -0.1A$		-0.075	0.075	V	1
I_{SCD}	Stand by Current Drain	$V_I = 20V, I_L = -5mA$		-20	20	%	1

Note 1: Absolute Maximum Ratings indicate limits beyond which damage to the device may occur. Operating Ratings indicate conditions for which the device is functional, but do not guarantee specific performance limits. For guaranteed specifications and test conditions, see the Electrical Characteristics. The guaranteed specifications apply only for the test conditions listed. Some performance characteristics may degrade when the device is not operated under the listed test conditions.

Note 2: The maximum power dissipation must be derated at elevated temperatures and is dictated by T_{Jmax} (maximum junction temperature), θ_{JA} (package junction to ambient thermal resistance), and T_A (ambient temperature). The maximum allowable power dissipation at any temperature is $P_{Dmax} = (T_{Jmax} - T_A)/\theta_{JA}$ or the number given in the Absolute Maximum Ratings, whichever is lower.

Note 3: Human body model, 100pF discharged through 1.5K Ω

Note 4: Tested at $T_A = +125^\circ\text{C}$, correlated to $T_A = +150^\circ\text{C}$.

Note 5: Tested at extremes as a set up for $\Delta V_O/\Delta T$ tests.

Note 6: Calculated parameter. For calculations use $V_O @ V_I = 10\text{V}$, $I_L = -5\text{mA}$.(Note 5)

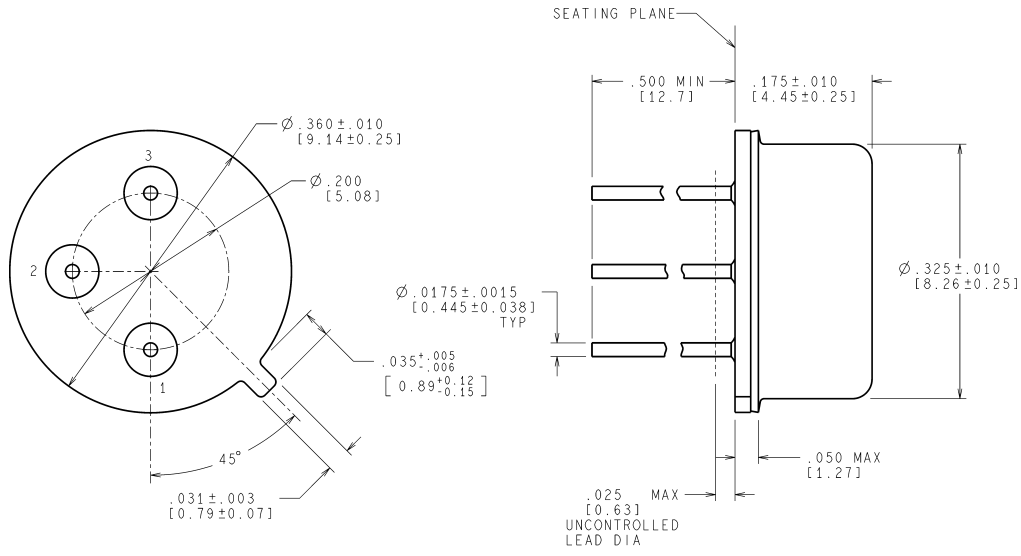
Note 7: Calculated parameter. For calculations use $V_O @ V_I = 17\text{V}$, $I_L = -5\text{mA}$.(Note 5)

Note 8: Calculated parameter. For calculations use $V_O @ V_I = 20\text{V}$, $I_L = -5\text{mA}$.(Note 5)

Revision History

Released	Revision	Section	Originator	Changes
02/07/06	A	New Release, Corporate format	L. Lytle	6 MDS data sheets converted into one Corp. data sheet format. The drift tables were eliminated from the 883 section since it did not apply. MDS data sheets MJLM140-05-H Rev 0B0, MJLM140-05-K Rev. 0B0, MJLM140-12-H Rev 0B0, MJLM140-12-K Rev 0B0, MJLM140-15-H Rev 0B0, and MJLM140-15-K Rev 0B0 will be archived.

Physical Dimensions inches (millimeters) unless otherwise noted

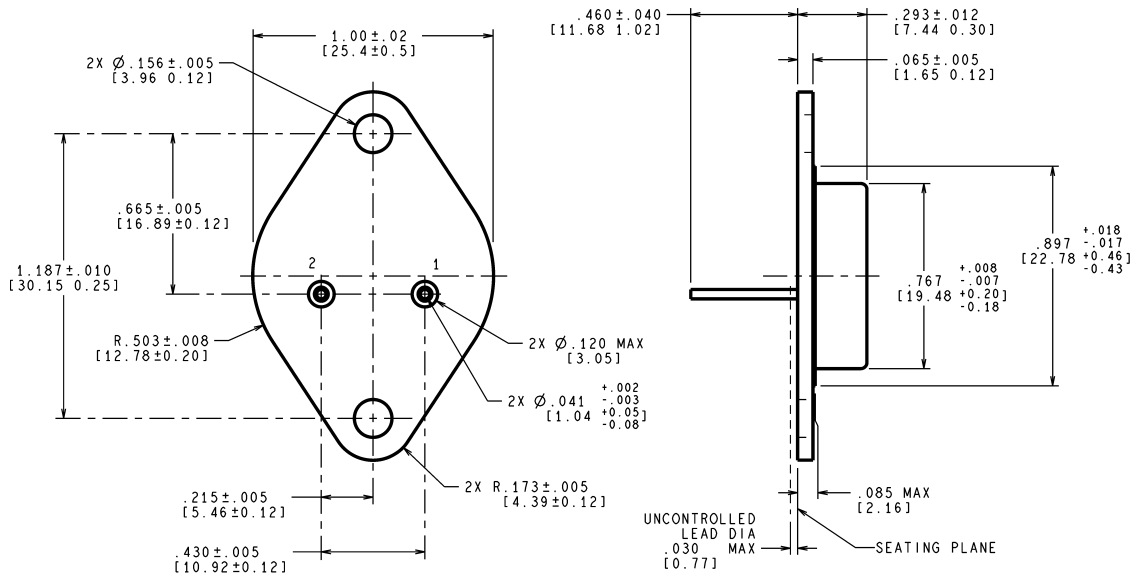


CONTROLLING DIMENSION IS INCH
VALUES IN [] ARE MILLIMETERS

MIL-PRF-38535
CONFIGURATION CONTROL

H03A (Rev D)

**Metal Can TO-39 (H)
NS Package Number H03A**



CONTROLLING DIMENSION IS INCH
VALUES IN [] ARE MILLIMETERS

MIL-PRF-38535
CONFIGURATION CONTROL

K02C (Rev E)

**Steel Metal Can Package (K)
NS Package Number K02C**

Notes

National does not assume any responsibility for use of any circuitry described, no circuit patent licenses are implied and National reserves the right at any time without notice to change said circuitry and specifications.

For the most current product information visit us at www.national.com.

LIFE SUPPORT POLICY

NATIONAL'S PRODUCTS ARE NOT AUTHORIZED FOR USE AS CRITICAL COMPONENTS IN LIFE SUPPORT DEVICES OR SYSTEMS WITHOUT THE EXPRESS WRITTEN APPROVAL OF THE PRESIDENT AND GENERAL COUNSEL OF NATIONAL SEMICONDUCTOR CORPORATION. As used herein:

1. Life support devices or systems are devices or systems which, (a) are intended for surgical implant into the body, or (b) support or sustain life, and whose failure to perform when properly used in accordance with instructions for use provided in the labeling, can be reasonably expected to result in a significant injury to the user.
2. A critical component is any component of a life support device or system whose failure to perform can be reasonably expected to cause the failure of the life support device or system, or to affect its safety or effectiveness.

BANNED SUBSTANCE COMPLIANCE

National Semiconductor manufactures products and uses packing materials that meet the provisions of the Customer Products Stewardship Specification (CSP-9-111C2) and the Banned Substances and Materials of Interest Specification (CSP-9-111S2) and contain no "Banned Substances" as defined in CSP-9-111S2.

Leadfree products are RoHS compliant.



National Semiconductor
Americas Customer
Support Center
Email: new.feedback@nsc.com
Tel: 1-800-272-9959

www.national.com

National Semiconductor
Europe Customer Support Center
Fax: +49 (0) 180-530 85 86
Email: europa.support@nsc.com
Deutsch Tel: +49 (0) 69 9508 6208
English Tel: +44 (0) 870 24 0 2171
Français Tel: +33 (0) 1 41 91 8790

National Semiconductor
Asia Pacific Customer
Support Center
Email: ap.support@nsc.com

National Semiconductor
Japan Customer Support Center
Fax: 81-3-5639-7507
Email: jpn.feedback@nsc.com
Tel: 81-3-5639-7560

IMPORTANT NOTICE

Texas Instruments Incorporated and its subsidiaries (TI) reserve the right to make corrections, modifications, enhancements, improvements, and other changes to its products and services at any time and to discontinue any product or service without notice. Customers should obtain the latest relevant information before placing orders and should verify that such information is current and complete. All products are sold subject to TI's terms and conditions of sale supplied at the time of order acknowledgment.

TI warrants performance of its hardware products to the specifications applicable at the time of sale in accordance with TI's standard warranty. Testing and other quality control techniques are used to the extent TI deems necessary to support this warranty. Except where mandated by government requirements, testing of all parameters of each product is not necessarily performed.

TI assumes no liability for applications assistance or customer product design. Customers are responsible for their products and applications using TI components. To minimize the risks associated with customer products and applications, customers should provide adequate design and operating safeguards.

TI does not warrant or represent that any license, either express or implied, is granted under any TI patent right, copyright, mask work right, or other TI intellectual property right relating to any combination, machine, or process in which TI products or services are used. Information published by TI regarding third-party products or services does not constitute a license from TI to use such products or services or a warranty or endorsement thereof. Use of such information may require a license from a third party under the patents or other intellectual property of the third party, or a license from TI under the patents or other intellectual property of TI.

Reproduction of TI information in TI data books or data sheets is permissible only if reproduction is without alteration and is accompanied by all associated warranties, conditions, limitations, and notices. Reproduction of this information with alteration is an unfair and deceptive business practice. TI is not responsible or liable for such altered documentation. Information of third parties may be subject to additional restrictions.

Resale of TI products or services with statements different from or beyond the parameters stated by TI for that product or service voids all express and any implied warranties for the associated TI product or service and is an unfair and deceptive business practice. TI is not responsible or liable for any such statements.

TI products are not authorized for use in safety-critical applications (such as life support) where a failure of the TI product would reasonably be expected to cause severe personal injury or death, unless officers of the parties have executed an agreement specifically governing such use. Buyers represent that they have all necessary expertise in the safety and regulatory ramifications of their applications, and acknowledge and agree that they are solely responsible for all legal, regulatory and safety-related requirements concerning their products and any use of TI products in such safety-critical applications, notwithstanding any applications-related information or support that may be provided by TI. Further, Buyers must fully indemnify TI and its representatives against any damages arising out of the use of TI products in such safety-critical applications.

TI products are neither designed nor intended for use in military/aerospace applications or environments unless the TI products are specifically designated by TI as military-grade or "enhanced plastic." Only products designated by TI as military-grade meet military specifications. Buyers acknowledge and agree that any such use of TI products which TI has not designated as military-grade is solely at the Buyer's risk, and that they are solely responsible for compliance with all legal and regulatory requirements in connection with such use.

TI products are neither designed nor intended for use in automotive applications or environments unless the specific TI products are designated by TI as compliant with ISO/TS 16949 requirements. Buyers acknowledge and agree that, if they use any non-designated products in automotive applications, TI will not be responsible for any failure to meet such requirements.

Following are URLs where you can obtain information on other Texas Instruments products and application solutions:

Products

Audio	www.ti.com/audio
Amplifiers	amplifier.ti.com
Data Converters	dataconverter.ti.com
DLP® Products	www.dlp.com
DSP	dsp.ti.com
Clocks and Timers	www.ti.com/clocks
Interface	interface.ti.com
Logic	logic.ti.com
Power Mgmt	power.ti.com
Microcontrollers	microcontroller.ti.com
RFID	www.ti-rfid.com
OMAP Mobile Processors	www.ti.com/omap
Wireless Connectivity	www.ti.com/wirelessconnectivity

Applications

Communications and Telecom	www.ti.com/communications
Computers and Peripherals	www.ti.com/computers
Consumer Electronics	www.ti.com/consumer-apps
Energy and Lighting	www.ti.com/energy
Industrial	www.ti.com/industrial
Medical	www.ti.com/medical
Security	www.ti.com/security
Space, Avionics and Defense	www.ti.com/space-avionics-defense
Transportation and Automotive	www.ti.com/automotive
Video and Imaging	www.ti.com/video

TI E2E Community Home Page

e2e.ti.com

Mailing Address: Texas Instruments, Post Office Box 655303, Dallas, Texas 75265
Copyright © 2011, Texas Instruments Incorporated