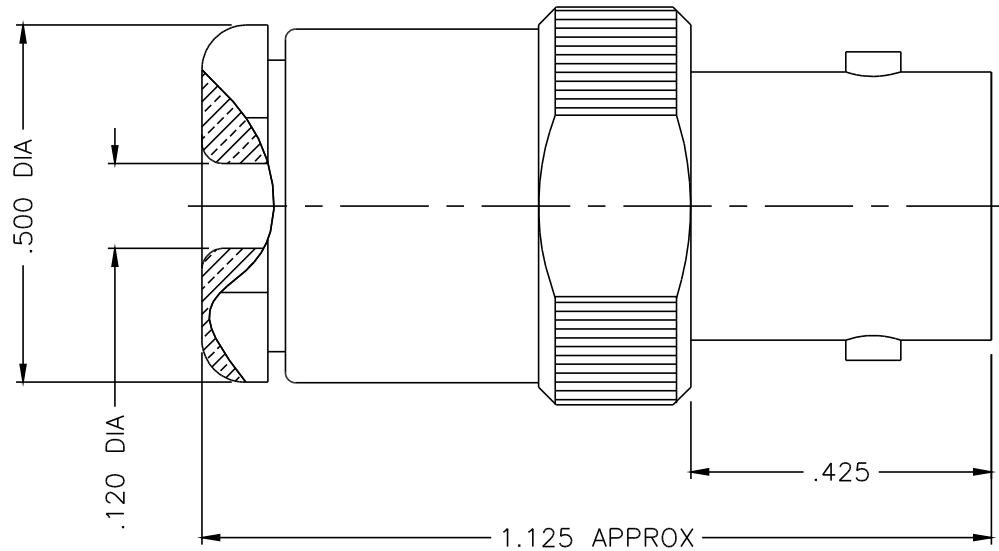
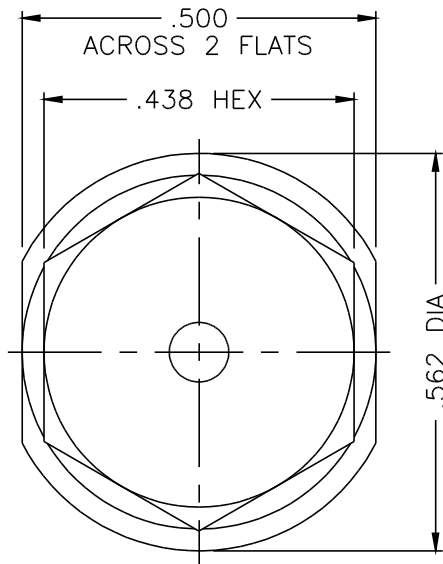




1008-036-A001-1



NOTES:

1. ASSEMBLED CONNECTOR INTERFACE IS DESIGNED IN ACCORDANCE WITH MIL-STD-348.
2. MATERIAL: BODY - BRASS PER ASTM B16
 CONTACT - BERYLLIUM COPPER PER ASTM B196.
 INSULATOR - TEFLON PER ASTM D1710
 GASKET - SILICONE RUBBER PER ZZ-R-765
 ALL OTHER METAL PARTS - BRASS PER ASTM B16
3. FINISHES: CONTACT - GOLD PLATED PER MIL-G-45204
 ALL OTHER METAL PARTS - SILVER PLATE PER QQ-S-365

DELTA ELECTRONICS MFG. CORP. Beverly, MA 01915

TITLE: 'BNC' JACK FOR RG-174 & 188/U CABLES

Drawn by BJM 2/24/00	Scale 4/1	Ckd. by	Engr Appd	FILE NAME: 1008036A001-001T
----------------------------	--------------	---------	-----------	--------------------------------

UNLESS OTHERWISE SPECIFIED: TOLERANCES: 3 PLACES = ±.005, 2 PLACES = ±.02, ANGLES = ±1/2°

-	OUTLINE	2/24/00
ALT.	REVISIONS	DATE

THESE DRAWINGS AND SPECIFICATIONS ARE THE PROPERTY OF DELTA ELECTRONICS MFG CORP. AND SHALL NOT BE REPRODUCED, OR COPIED OR USED AS THE BASIS FOR THE MANUFACTURE OR SALE OF APPARATUS OR DEVICES WITHOUT THEIR EXPRESS WRITTEN CONSENT.

CODE IDENT.-00795

1008-036-A001-1