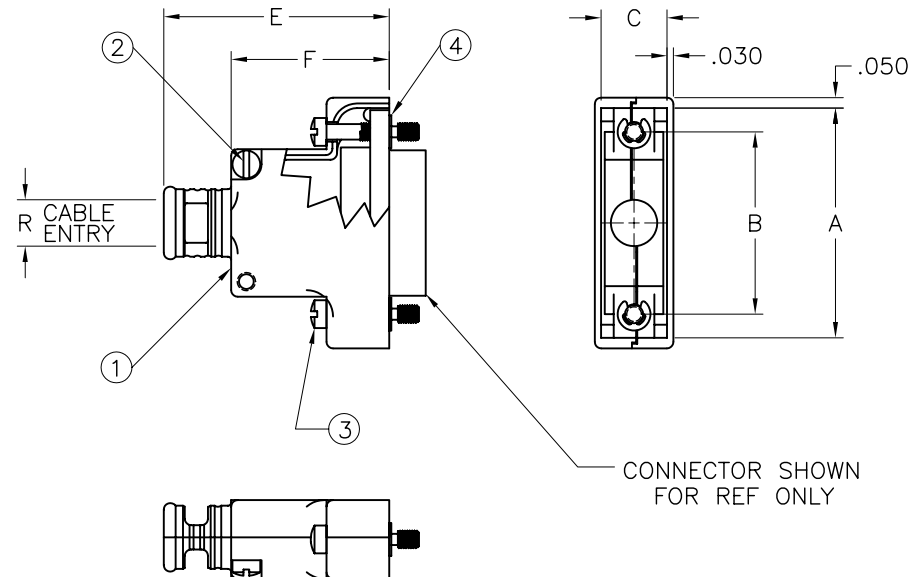


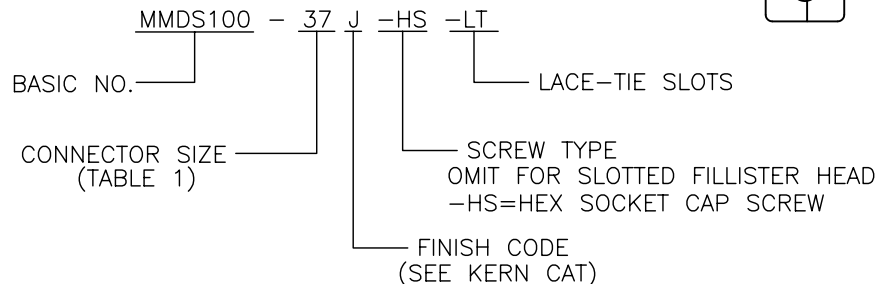
TABLE 1

CONNECTOR SIZE	A MIN	B ±.005	C MIN	E ±.020	F ±.010	R ±.005
9	.785	.565	.310	.968	.656	.160
15	.935	.715	.310	1.031	.718	.190
21	1.085	.865	.310	1.062	.750	.220
25	1.185	.965	.310	1.125	.812	.260
31	1.335	1.115	.310	1.156	.843	.275
37	1.485	1.265	.310	1.218	.906	.285
51	1.435	1.215	.351	1.281	.968	.350
100	2.175	1.800	.400	1.343	1.031	.490

REVISIONS			
LTR	DESCRIPTION	DATE	APPROVED
A	ADDED HELICOIL, DELETED LOCKWASHER	11-5-91	EAG
B	REDRAWN ON CAD	09-19-96	T.A.G.
C	REMOVED HELICOIL	01-18-97	EAG
D	ADDED -HS SCREW OPTION TO P/N	01/27/00	EAG
E	ADDED LACE-TIE SLOTS	06/29/05	A.C.M.



PART NO. DEVELOPMENT



NOTES:

- ON SIZE 9, CABLE ENTRY DIA WILL BE OFFSET 0.06 FROM CENTERLINE OF PART AND WILL REQUIRE ONLY ONE PC EACH OF ITEMS 2&4

ITEM NO.	NOMENCLATURE OR DESCRIPTION	PART OR IDENTIFYING NO.	QTY REQD	MATERIAL	FINISH
4	RETAINING RING	12336-X	2	ST STL PH 15-7 MO	PASSIVATED
3	SCREW, MTG.	12335-X / 12337	2	CRES 300 SERIES	PASSIVATED
2	SCREW	11932-XSXXF	A/R	CRES 300 SERIES	PASSIVATED
1	BODY	12674-XX/06	2	ALUMINUM ALLOY	AS SPECIFIED

FILESPEC: MMDS100--revE

<p>THE INFORMATION DISCLOSED HEREIN WAS ORIGINATED BY AND IS THE PROPERTY OF KERN, AND, EXCEPT FOR USES EXPRESSLY GRANTED TO THE UNITED STATES GOVERNMENT, KERN RESERVES ALL PATENT, PROPRIETARY, DESIGN, USE, SALE, MANUFACTURING AND REPRODUCTION RIGHTS THERETO. THIS DOES NOT APPLY TO ANY VENDOR PARTS.</p>	<p>UNLESS OTHERWISE SPECIFIED: DIMENSIONS ARE IN INCHES</p> <table border="1"> <tr> <th>TOLERANCES</th> <th>DECIMALS</th> <th>ANGULAR</th> </tr> <tr> <td></td> <td>.XX ±.03</td> <td>± P</td> </tr> <tr> <td></td> <td>.XXX ±.010</td> <td></td> </tr> </table> <p>DO NOT SCALE DRAWING</p>		TOLERANCES	DECIMALS	ANGULAR		.XX ±.03	± P		.XXX ±.010		<p>CONTRACT NO.</p> <table border="1"> <tr> <td>DRAWN</td> <td>DATE</td> </tr> <tr> <td>A.ALVES</td> <td>1-22-96</td> </tr> </table>		DRAWN	DATE	A.ALVES	1-22-96	<p>KERN ENGINEERING & MFG. CORP. 1146 E. ASH AVE., FULLERTON, CA 92631</p>	
	TOLERANCES	DECIMALS	ANGULAR																
		.XX ±.03	± P																
		.XXX ±.010																	
DRAWN	DATE																		
A.ALVES	1-22-96																		
<p>TREATMENT</p>	<p>FINISH</p>	<p>CHECK</p> <p>T. GEVERINK 9-19-96</p>	<p>DESIGN</p> <p>E. GRISWOLD 11-5-91</p>	<p>TITLE: BACKSHELL. STRAIGHT. SPLIT FOR MIL-C-83513 CLASS M CONNECTORS</p>															
<p>SIMILAR TO</p>	<p>ACT. WT</p> <p>CALC WT</p>	<p>DESIGN ACTIVITY</p>	<p>CUSTOMER</p>	<p>SIZE</p> <p>B</p>	<p>FSCM NO.</p> <p>50619</p>	<p>DWG NO.</p> <p>MMDS100</p>	<p>REV</p> <p>E</p>												
<p>SCALE 1.5 : 1</p>				<p>RELEASE DATE</p> <p>9-19-96</p>	<p>SHEET</p> <p>1 OF 1</p>														