

## GENERAL INFORMATION

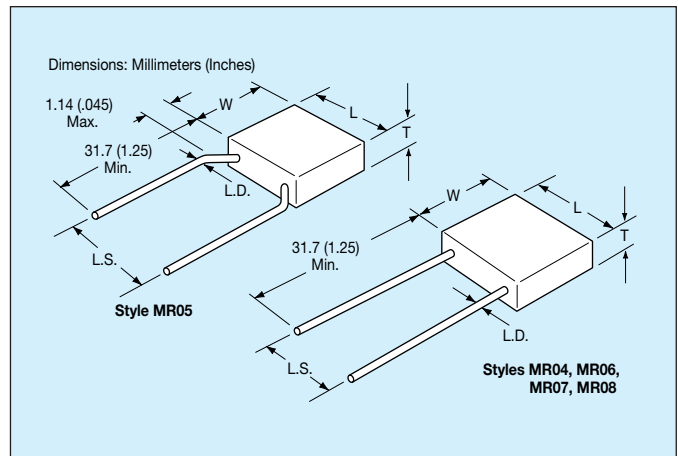
### AVX MR Series

#### Molded Radial Ledged MLC

**Temperature Coefficients:** C0G (NP0), X7R, Z5U  
50, 100, 200 Volts

**Case Material:** Molded Epoxy

**Lead Material:** Solderable



## HOW TO ORDER

|                                      |                                 |                                     |   |  |   |  |
|--------------------------------------|---------------------------------|-------------------------------------|---|--|---|--|
| <b>MR05</b>                          | <b>1</b>                        | <b>A</b>                            | <b>561</b>  | <b>J</b>   | <b>A</b>                                | <b>A</b>   |
| <b>AVX Style</b>                     | <b>Voltage</b>                  | <b>Dielectric</b>                   | <b>Capacitance</b>  | <b>Capacitance Tolerance</b>   | <b>Failure Rate</b>                     | <b>Leads</b>   |
| MR04<br>MR05<br>MR06<br>MR07<br>MR08 | 5 = 50V<br>1 = 100V<br>2 = 200V | A = C0G (NP0)<br>C = X7R<br>E = Z5U | First two digits are the significant figures of capacitance. Third digit indicates the additional number of zeros. For example, order 100,000 pF as 104. (For values below 10pF use "R" in place of decimal point, e.g., 1R4 = 1.4pF) | C0G (NP0):<br>D = ±5pF (>10pF only)<br>F = ±1% (>50pF only)<br>G = ±2% (>25pF only)<br>J = ±5%<br>K = ±10% | X7R:<br>J = ±5%<br>K = ±10%<br>M = ±20% | A = Not Applicable<br>T = CECC                                     |
|                                      |                                 |                                     |   | Z5U:<br>M = ±20%<br>Z = +80%<br>-20%   |   | A = Standard Solderable (SnPb)<br>T* = Trimmed Leads .230" ± .030" |

\* Trimmed lead length for the MR05 style will be measured from the bend in the lead (seating plane).

## MARKING

Marking is as size permits.  
(For code identification, see HOW TO ORDER section.)

- AVX
- Capacitance Tolerance
- Voltage Rating
- Temperature Coefficient
- Date Code
- Lot Code

## PACKAGING REQUIREMENTS

**Bulk Packaging:** 1000 pcs. per sealed package except MR07/MR08 (300 pcs.).

**Tape and Reel:** Available on MR04, MR05, and MR06 only (2500 pcs./reel).

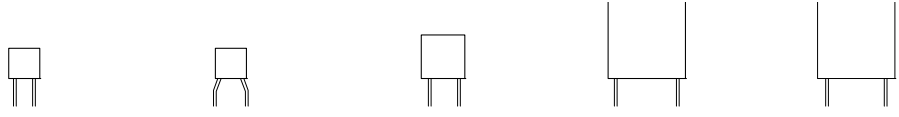
**Ammo Packaging:** Available on special request.

# Radial Leads/Ceralam®



## COG (NP0)

### SIZE AND CAPACITANCE SPECIFICATIONS



Dimensions: Millimeters (Inches)

| AVX Style          |   | MR04         |     |    | MR05         |     |    | MR06         |     |    | MR07          |     |    | MR08          |     |    |
|--------------------|---|--------------|-----|----|--------------|-----|----|--------------|-----|----|---------------|-----|----|---------------|-----|----|
| Length*            |   | 4.83 (.190") |     |    | 4.83 (.190") |     |    | 7.36 (.290") |     |    | 12.44 (.490") |     |    | 12.44 (.490") |     |    |
| Width*             |   | 4.83 (.190") |     |    | 4.83 (.190") |     |    | 7.36 (.290") |     |    | 12.44 (.490") |     |    | 12.44 (.490") |     |    |
| Thickness*         |   | 2.28 (.090") |     |    | 2.28 (.090") |     |    | 2.28 (.090") |     |    | 3.55 (.140")  |     |    | 6.09 (.240")  |     |    |
| Lead Spacing*      |   | 2.54 (.100") |     |    | 5.08 (.200") |     |    | 5.08 (.200") |     |    | 10.16 (.400") |     |    | 10.16 (.400") |     |    |
| Lead Diameter*     |   | .635 (.025") |     |    | .635 (.025") |     |    | .635 (.025") |     |    | .635 (.025")  |     |    | .635 (.025")  |     |    |
| Cap. in pF         | Typical AVX Part Nos.                                 | WVDC         |     |    | WVDC         |     |    | WVDC         |     |    | WVDC          |     |    | WVDC          |     |    |
|                    |   | 200          | 100 | 50 | 200          | 100 | 50 | 200          | 100 | 50 | 200           | 100 | 50 | 200           | 100 | 50 |
| 1.0 to 9.1         | MR.....5A1R0DAA<br>MR.....5A9R1DAA                    |              |     |    |              |     |    |              |     |    |               |     |    |               |     |    |
| 10 to 15           | MR.....5A100KAA<br>MR.....5A120KAA<br>MR.....5A150KAA |              |     |    |              |     |    |              |     |    |               |     |    |               |     |    |
| 18 to 27           | MR.....5A180KAA<br>MR.....5A220KAA<br>MR.....5A270KAA |              |     |    |              |     |    |              |     |    |               |     |    |               |     |    |
| 33 to 47           | MR.....5A330KAA<br>MR.....5A390KAA<br>MR.....5A470KAA |              |     |    |              |     |    |              |     |    |               |     |    |               |     |    |
| 56 to 82           | MR.....5A560KAA<br>MR.....5A680KAA<br>MR.....5A820KAA |              |     |    |              |     |    |              |     |    |               |     |    |               |     |    |
| 100 to 150         | MR.....5A101KAA<br>MR.....5A121KAA<br>MR.....5A151KAA |              |     |    |              |     |    |              |     |    |               |     |    |               |     |    |
| 180 to 270         | MR.....5A181KAA<br>MR.....5A221KAA<br>MR.....5A271KAA |              |     |    |              |     |    |              |     |    |               |     |    |               |     |    |
| 330 to 470         | MR.....5A331KAA<br>MR.....5A391KAA<br>MR.....5A471KAA |              |     |    |              |     |    |              |     |    |               |     |    |               |     |    |
| 560 to 820         | MR.....5A561KAA<br>MR.....5A681KAA<br>MR.....5A821KAA |              |     |    |              |     |    |              |     |    |               |     |    |               |     |    |
| 1000 to 1500       | MR.....5A102KAA<br>MR.....5A122KAA<br>MR.....5A152KAA |              |     |    |              |     |    |              |     |    |               |     |    |               |     |    |
| 1800 to 2700       | MR.....5A182KAA<br>MR.....5A222KAA<br>MR.....5A272KAA |              |     |    |              |     |    |              |     |    |               |     |    |               |     |    |
| 3300 to 4700       | MR.....5A332KAA<br>MR.....5A392KAA<br>MR.....5A472KAA |              |     |    |              |     |    |              |     |    |               |     |    |               |     |    |
| 5600 to 8200       | MR.....5A562KAA<br>MR.....5A682KAA<br>MR.....5A822KAA |              |     |    |              |     |    |              |     |    |               |     |    |               |     |    |
| 10,000 to 15,000   | MR.....5A103KAA<br>MR.....5A123KAA<br>MR.....5A153KAA |              |     |    |              |     |    |              |     |    |               |     |    |               |     |    |
| 18,000 to 27,000   | MR.....5A183KAA<br>MR.....5A223KAA<br>MR.....5A273KAA |              |     |    |              |     |    |              |     |    |               |     |    |               |     |    |
| 33,000 to 47,000   | MR.....5A333KAA<br>MR.....5A393KAA<br>MR.....5A473KAA |              |     |    |              |     |    |              |     |    |               |     |    |               |     |    |
| 56,000 to 82,000   | MR.....5A563KAA<br>MR.....5A683KAA<br>MR.....5A823KAA |              |     |    |              |     |    |              |     |    |               |     |    |               |     |    |
| 100,000 to 150,000 | MR.....5A104KAA<br>MR.....5A124KAA<br>MR.....5A154KAA |              |     |    |              |     |    |              |     |    |               |     |    |               |     |    |

For trimmed leads see "How To Order".  
For other tolerances see "How To Order".  
For other voltages see "How To Order".

= Industry preferred values

\*Length, width and thickness dimensions are ±.254 mm (±.010"). Lead diameter is ±.05 mm (±.002"). Lead spacing is ±.381 mm (±.015").



# Radial Leads/Ceralam®



X7R

## SIZE AND CAPACITANCE SPECIFICATIONS



Dimensions: Millimeters (Inches)

| AVX Style      |                       | MR04         | MR05         | MR06          | MR07          | MR08 |    |      |     |    |      |     |    |      |     |    |
|----------------|-----------------------|--------------|--------------|---------------|---------------|------|----|------|-----|----|------|-----|----|------|-----|----|
| Length*        | 4.83 (.190")          | 4.83 (.190") | 7.36 (.290") | 12.44 (.490") | 12.44 (.490") |      |    |      |     |    |      |     |    |      |     |    |
| Width*         | 4.83 (.190")          | 4.83 (.190") | 7.36 (.290") | 12.44 (.490") | 12.44 (.490") |      |    |      |     |    |      |     |    |      |     |    |
| Thickness*     | 2.28 (.090")          | 2.28 (.090") | 2.28 (.090") | 3.55 (.140")  | 6.09 (.240")  |      |    |      |     |    |      |     |    |      |     |    |
| Lead Spacing*  | 2.54 (.100")          | 5.08 (.200") | 5.08 (.200") | 10.16 (.400") | 10.16 (.400") |      |    |      |     |    |      |     |    |      |     |    |
| Lead Diameter* | .635 (.025")          | .635 (.025") | .635 (.025") | .635 (.025")  | .635 (.025")  |      |    |      |     |    |      |     |    |      |     |    |
| Cap. in pF     | Typical AVX Part Nos. | WVDC         |              |               | WVDC          |      |    | WVDC |     |    | WVDC |     |    | WVDC |     |    |
|                |                       | 200          | 100          | 50            | 200           | 100  | 50 | 200  | 100 | 50 | 200  | 100 | 50 | 200  | 100 | 50 |
| 100            | MR.....5C101KAA       |              |              |               |               |      |    |      |     |    |      |     |    |      |     |    |
| 120            | MR.....5C121KAA       |              |              |               |               |      |    |      |     |    |      |     |    |      |     |    |
| 150            | MR.....5C151KAA       |              |              |               |               |      |    |      |     |    |      |     |    |      |     |    |
| 180            | MR.....5C181KAA       |              |              |               |               |      |    |      |     |    |      |     |    |      |     |    |
| 220            | MR.....5C221KAA       |              |              |               |               |      |    |      |     |    |      |     |    |      |     |    |
| 270            | MR.....5C271KAA       |              |              |               |               |      |    |      |     |    |      |     |    |      |     |    |
| 330            | MR.....5C331KAA       |              |              |               |               |      |    |      |     |    |      |     |    |      |     |    |
| 390            | MR.....5C391KAA       |              |              |               |               |      |    |      |     |    |      |     |    |      |     |    |
| 470            | MR.....5C471KAA       |              |              |               |               |      |    |      |     |    |      |     |    |      |     |    |
| 560            | MR.....5C561KAA       |              |              |               |               |      |    |      |     |    |      |     |    |      |     |    |
| 680            | MR.....5C681KAA       |              |              |               |               |      |    |      |     |    |      |     |    |      |     |    |
| 820            | MR.....5C821KAA       |              |              |               |               |      |    |      |     |    |      |     |    |      |     |    |
| 1000           | MR.....5C102KAA       |              |              |               |               |      |    |      |     |    |      |     |    |      |     |    |
| 1200           | MR.....5C122KAA       |              |              |               |               |      |    |      |     |    |      |     |    |      |     |    |
| 1500           | MR.....5C152KAA       |              |              |               |               |      |    |      |     |    |      |     |    |      |     |    |
| 1800           | MR.....5C182KAA       |              |              |               |               |      |    |      |     |    |      |     |    |      |     |    |
| 2200           | MR.....5C222KAA       |              |              |               |               |      |    |      |     |    |      |     |    |      |     |    |
| 2700           | MR.....5C272KAA       |              |              |               |               |      |    |      |     |    |      |     |    |      |     |    |
| 3300           | MR.....5C332KAA       |              |              |               |               |      |    |      |     |    |      |     |    |      |     |    |
| 3900           | MR.....5C392KAA       |              |              |               |               |      |    |      |     |    |      |     |    |      |     |    |
| 4700           | MR.....5C472KAA       |              |              |               |               |      |    |      |     |    |      |     |    |      |     |    |
| 5600           | MR.....5C562KAA       |              |              |               |               |      |    |      |     |    |      |     |    |      |     |    |
| 6800           | MR.....5C682KAA       |              |              |               |               |      |    |      |     |    |      |     |    |      |     |    |
| 8200           | MR.....5C822KAA       |              |              |               |               |      |    |      |     |    |      |     |    |      |     |    |
| 10,000         | MR.....5C103KAA       |              |              |               |               |      |    |      |     |    |      |     |    |      |     |    |
| 12,000         | MR.....5C123KAA       |              |              |               |               |      |    |      |     |    |      |     |    |      |     |    |
| 15,000         | MR.....5C153KAA       |              |              |               |               |      |    |      |     |    |      |     |    |      |     |    |
| 18,000         | MR.....5C183KAA       |              |              |               |               |      |    |      |     |    |      |     |    |      |     |    |
| 22,000         | MR.....5C223KAA       |              |              |               |               |      |    |      |     |    |      |     |    |      |     |    |
| 27,000         | MR.....5C273KAA       |              |              |               |               |      |    |      |     |    |      |     |    |      |     |    |
| 33,000         | MR.....5C333KAA       |              |              |               |               |      |    |      |     |    |      |     |    |      |     |    |
| 39,000         | MR.....5C393KAA       |              |              |               |               |      |    |      |     |    |      |     |    |      |     |    |
| 47,000         | MR.....5C473KAA       |              |              |               |               |      |    |      |     |    |      |     |    |      |     |    |
| 56,000         | MR.....5C563KAA       |              |              |               |               |      |    |      |     |    |      |     |    |      |     |    |
| 68,000         | MR.....5C683KAA       |              |              |               |               |      |    |      |     |    |      |     |    |      |     |    |
| 82,000         | MR.....5C823KAA       |              |              |               |               |      |    |      |     |    |      |     |    |      |     |    |
| 100,000        | MR.....5C104KAA       |              |              |               |               |      |    |      |     |    |      |     |    |      |     |    |
| 120,000        | MR.....5C124KAA       |              |              |               |               |      |    |      |     |    |      |     |    |      |     |    |
| 150,000        | MR.....5C154KAA       |              |              |               |               |      |    |      |     |    |      |     |    |      |     |    |
| 180,000        | MR.....5C184KAA       |              |              |               |               |      |    |      |     |    |      |     |    |      |     |    |
| 220,000        | MR.....5C224KAA       |              |              |               |               |      |    |      |     |    |      |     |    |      |     |    |
| 270,000        | MR.....5C274KAA       |              |              |               |               |      |    |      |     |    |      |     |    |      |     |    |
| 330,000        | MR.....5C334KAA       |              |              |               |               |      |    |      |     |    |      |     |    |      |     |    |
| 390,000        | MR.....5C394KAA       |              |              |               |               |      |    |      |     |    |      |     |    |      |     |    |
| 470,000        | MR.....5C474KAA       |              |              |               |               |      |    |      |     |    |      |     |    |      |     |    |
| 560,000        | MR.....5C564KAA       |              |              |               |               |      |    |      |     |    |      |     |    |      |     |    |
| 680,000        | MR.....5C684KAA       |              |              |               |               |      |    |      |     |    |      |     |    |      |     |    |
| 820,000        | MR.....5C824KAA       |              |              |               |               |      |    |      |     |    |      |     |    |      |     |    |
| 1.0 µF         | MR.....5C105KAA       |              |              |               |               |      |    |      |     |    |      |     |    |      |     |    |
| 1.2 µF         | MR.....5C125KAA       |              |              |               |               |      |    |      |     |    |      |     |    |      |     |    |
| 1.5 µF         | MR.....5C155KAA       |              |              |               |               |      |    |      |     |    |      |     |    |      |     |    |
| 1.8 µF         | MR.....5C185KAA       |              |              |               |               |      |    |      |     |    |      |     |    |      |     |    |
| 2.0 µF         | MR.....5C205KAA       |              |              |               |               |      |    |      |     |    |      |     |    |      |     |    |
| 2.2 µF         | MR.....5C225KAA       |              |              |               |               |      |    |      |     |    |      |     |    |      |     |    |
| 2.7 µF         | MR.....5C275KAA       |              |              |               |               |      |    |      |     |    |      |     |    |      |     |    |
| 3.3 µF         | MR.....5C335KAA       |              |              |               |               |      |    |      |     |    |      |     |    |      |     |    |
| 3.9 µF         | MR.....5C395KAA       |              |              |               |               |      |    |      |     |    |      |     |    |      |     |    |
| 4.7 µF         | MR.....5C475KAA       |              |              |               |               |      |    |      |     |    |      |     |    |      |     |    |

For trimmed leads see "How To Order".  
 For other tolerances see "How To Order".  
 For other voltages see "How To Order".

= Industry preferred values

\*Length, width and thickness dimensions are ±.254 mm (±.010"). Lead diameter is ±.05 mm (±.002"). Lead spacing is ±.381 mm (±.015").



# Radial Leads/Ceralam®



## Z5U

### SIZE AND CAPACITANCE SPECIFICATIONS



Dimensions: Millimeters (Inches)

| AVX Style      |                       | MR04            |    | MR05            |    | MR06            |    | MR07             |    | MR08             |    |
|----------------|-----------------------|-----------------|----|-----------------|----|-----------------|----|------------------|----|------------------|----|
| Length*        |                       | 4.83<br>(.190") |    | 4.83<br>(.190") |    | 7.36<br>(.290") |    | 12.44<br>(.490") |    | 12.44<br>(.490") |    |
| Width*         |                       | 4.83<br>(.190") |    | 4.83<br>(.190") |    | 7.36<br>(.290") |    | 12.44<br>(.490") |    | 12.44<br>(.490") |    |
| Thickness*     |                       | 2.28<br>(.090") |    | 2.28<br>(.090") |    | 2.28<br>(.090") |    | 3.55<br>(.140")  |    | 6.09<br>(.240")  |    |
| Lead* Spacing  |                       | 2.54<br>(.100") |    | 5.08<br>(.200") |    | 5.08<br>(.200") |    | 10.16<br>(.400") |    | 10.16<br>(.400") |    |
| Lead* Diameter |                       | .635<br>(.025") |    | .635<br>(.025") |    | .635<br>(.025") |    | .635<br>(.025")  |    | .635<br>(.025")  |    |
| Cap. in pF     | Typical AVX Part Nos. | WVDC            |    | WVDC            |    | WVDC            |    | WVDC             |    | WVDC             |    |
|                |                       | 100             | 50 | 100             | 50 | 100             | 50 | 100              | 50 | 100              | 50 |
| 10,000         | MR.....5E103ZAA       |                 |    |                 |    |                 |    |                  |    |                  |    |
| 12,000         | MR.....5E123ZAA       |                 |    |                 |    |                 |    |                  |    |                  |    |
| 15,000         | MR.....5E153ZAA       |                 |    |                 |    |                 |    |                  |    |                  |    |
| 18,000         | MR.....5E183ZAA       |                 |    |                 |    |                 |    |                  |    |                  |    |
| 22,000         | MR.....5E223ZAA       |                 |    |                 |    |                 |    |                  |    |                  |    |
| 27,000         | MR.....5E273ZAA       |                 |    |                 |    |                 |    |                  |    |                  |    |
| 33,000         | MR.....5E333ZAA       |                 |    |                 |    |                 |    |                  |    |                  |    |
| 39,000         | MR.....5E393ZAA       |                 |    |                 |    |                 |    |                  |    |                  |    |
| 47,000         | MR.....5E473ZAA       |                 |    |                 |    |                 |    |                  |    |                  |    |
| 56,000         | MR.....5E563ZAA       |                 |    |                 |    |                 |    |                  |    |                  |    |
| 68,000         | MR.....5E683ZAA       |                 |    |                 |    |                 |    |                  |    |                  |    |
| 82,000         | MR.....5E823ZAA       |                 |    |                 |    |                 |    |                  |    |                  |    |
| 100,000        | MR.....5E104ZAA       |                 |    |                 |    |                 |    |                  |    |                  |    |
| 120,000        | MR.....5E124ZAA       |                 |    |                 |    |                 |    |                  |    |                  |    |
| 150,000        | MR.....5E154ZAA       |                 |    |                 |    |                 |    |                  |    |                  |    |
| 180,000        | MR.....5E184ZAA       |                 |    |                 |    |                 |    |                  |    |                  |    |
| 220,000        | MR.....5E224ZAA       |                 |    |                 |    |                 |    |                  |    |                  |    |
| 270,000        | MR.....5E274ZAA       |                 |    |                 |    |                 |    |                  |    |                  |    |
| 330,000        | MR.....5E334ZAA       |                 |    |                 |    |                 |    |                  |    |                  |    |
| 390,000        | MR.....5E394ZAA       |                 |    |                 |    |                 |    |                  |    |                  |    |
| 470,000        | MR.....5E474ZAA       |                 |    |                 |    |                 |    |                  |    |                  |    |
| 560,000        | MR.....5E564ZAA       |                 |    |                 |    |                 |    |                  |    |                  |    |
| 680,000        | MR.....5E684ZAA       |                 |    |                 |    |                 |    |                  |    |                  |    |
| 820,000        | MR.....5E824ZAA       |                 |    |                 |    |                 |    |                  |    |                  |    |
| 1.0 µF         | MR.....5E105ZAA       |                 |    |                 |    |                 |    |                  |    |                  |    |
| 1.2 µF         | MR.....5E125ZAA       |                 |    |                 |    |                 |    |                  |    |                  |    |
| 1.5 µF         | MR.....5E155ZAA       |                 |    |                 |    |                 |    |                  |    |                  |    |
| 1.8 µF         | MR.....5E185ZAA       |                 |    |                 |    |                 |    |                  |    |                  |    |
| 2.2 µF         | MR.....5E225ZAA       |                 |    |                 |    |                 |    |                  |    |                  |    |
| 2.7 µF         | MR.....5E275ZAA       |                 |    |                 |    |                 |    |                  |    |                  |    |
| 3.3 µF         | MR.....5E335ZAA       |                 |    |                 |    |                 |    |                  |    |                  |    |
| 3.9 µF         | MR.....5E395ZAA       |                 |    |                 |    |                 |    |                  |    |                  |    |
| 4.7 µF         | MR.....5E475ZAA       |                 |    |                 |    |                 |    |                  |    |                  |    |
| 5.6 µF         | MR.....5E565ZAA       |                 |    |                 |    |                 |    |                  |    |                  |    |
| 6.8 µF         | MR.....5E685ZAA       |                 |    |                 |    |                 |    |                  |    |                  |    |
| 8.2 µF         | MR.....5E825ZAA       |                 |    |                 |    |                 |    |                  |    |                  |    |
| 10.0 µF        | MR.....5E106ZAA       |                 |    |                 |    |                 |    |                  |    |                  |    |

For trimmed leads see "How To Order".  
 For other tolerances see "How To Order".  
 For other voltages see "How To Order".

= Industry preferred values

\*Length, width and thickness dimensions are ±.254 mm (±.010"). Lead diameter is ±.05 mm (±.002"). Lead spacing is ±.381 mm (±.015).



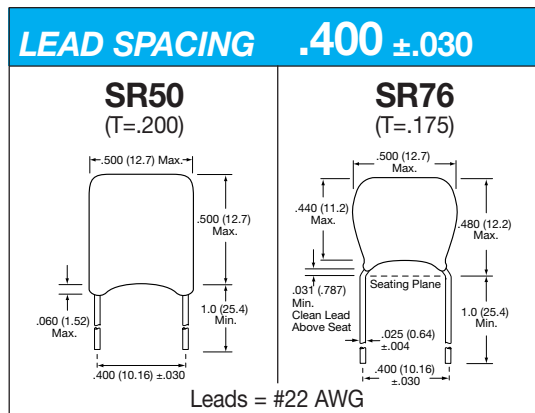
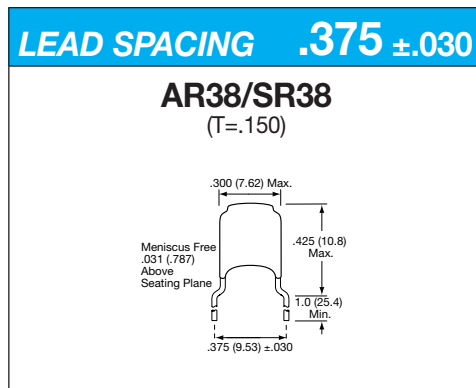
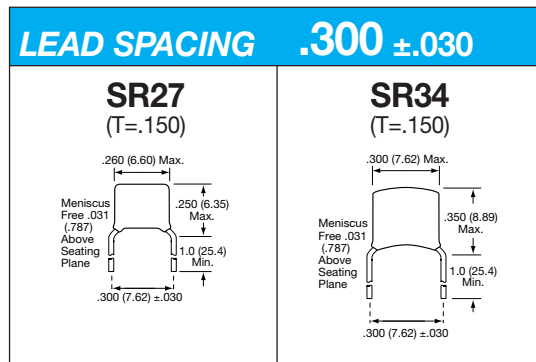
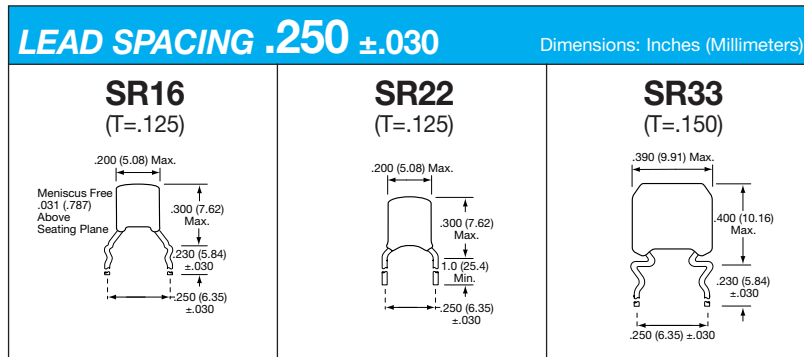
## Configurations by Lead Spacing

| LEAD SPACING <b>.100 ±.030</b>        |                                      |                                       |                                       | Dimensions: Inches (Millimeters)      |                                       |                                     |  |
|---------------------------------------|--------------------------------------|---------------------------------------|---------------------------------------|---------------------------------------|---------------------------------------|-------------------------------------|--|
| <p><b>AR07/SR07*</b><br/>(T=.100)</p> | <p><b>AR14/SR14</b><br/>(T=.100)</p> | <p><b>AR15/SR15*</b><br/>(T=.100)</p> | <p><b>AR20/SR20*</b><br/>(T=.125)</p> | <p><b>AR29/SR29*</b><br/>(T=.125)</p> | <p><b>AR62/SR62*</b><br/>(T=.125)</p> | <p><b>SR62-LP*</b><br/>(T=.100)</p> |  |

| LEAD SPACING <b>.200 ±.030</b>        |                                  |                                       |                                     |                                  | Dimensions: Inches (Millimeters)      |                                     |                                       |                                       |                                       |                                 |                                  |                                  |                                     |                                       |
|---------------------------------------|----------------------------------|---------------------------------------|-------------------------------------|----------------------------------|---------------------------------------|-------------------------------------|---------------------------------------|---------------------------------------|---------------------------------------|---------------------------------|----------------------------------|----------------------------------|-------------------------------------|---------------------------------------|
| <p><b>AR12/SR12*</b><br/>(T=.100)</p> | <p><b>SR13*</b><br/>(T=.125)</p> | <p><b>AR21/SR21*</b><br/>(T=.125)</p> | <p><b>SR21-85*</b><br/>(T=.125)</p> | <p><b>SR28*</b><br/>(T=.125)</p> | <p><b>AR30/SR30*</b><br/>(T=.150)</p> | <p><b>SR30-LP*</b><br/>(T=.150)</p> | <p><b>AR32/SR32*</b><br/>(T=.150)</p> | <p><b>AR40/SR40*</b><br/>(T=.150)</p> | <p><b>AR59/SR59*</b><br/>(T=.125)</p> | <p><b>SR61</b><br/>(T=.150)</p> | <p><b>SR63*</b><br/>(T=.150)</p> | <p><b>SR64*</b><br/>(T=.150)</p> | <p><b>SR64-LP*</b><br/>(T=.150)</p> | <p><b>AR65/SR65*</b><br/>(T=.150)</p> |

\*SL style available in all SR configurations.

## Configurations by Lead Spacing



- NOTES:**
1. All leads are #24 AWG unless otherwise noted.
  2. Available in tape and reel packaging(\*).
  3. Other styles are also available, contact factory.
  4. (T = XXX) under type designation is maximum thickness in inches.

\*SL style available in all SR configurations.

# Radial Leads/Packaging

## Tape and Reel



### GENERAL INFORMATION

1. Standard reel diameter is 355 millimeters (14 inches) maximum.
2. Reeling standard (#1 or #2) should be specified when ordering.

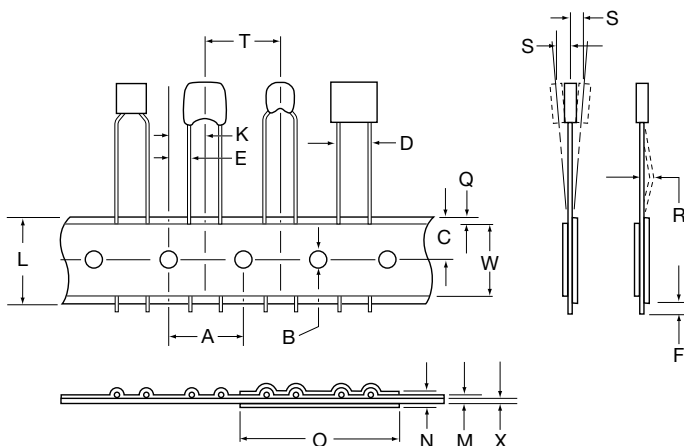
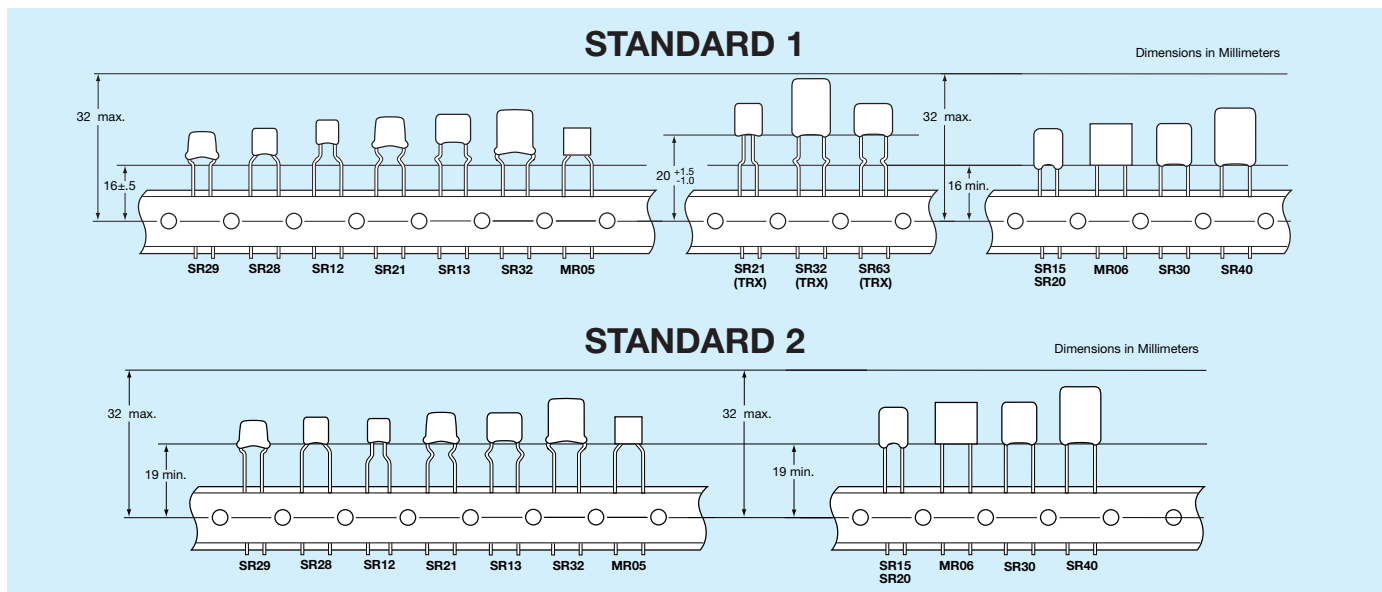
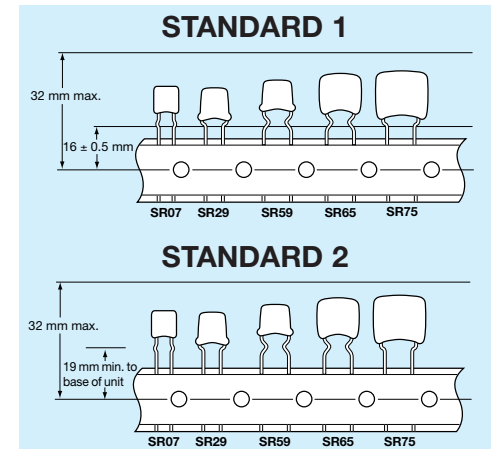
### HOW TO ORDER

To specify tape and reel packaging, add TR1, TR2 or TRX to the end of the AVX 12 digit part number.

Examples:

SR215C104KARTR1  
SR305E105MARTR2  
SR215C103JARTRX

### THE INSERTABLES

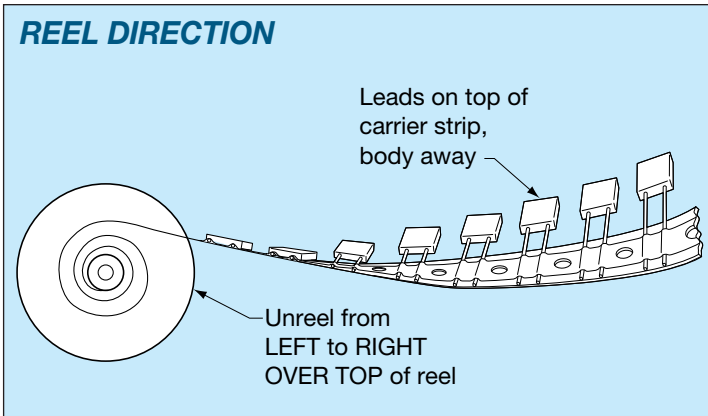


### DESCRIPTION

### DIMENSIONS (MM)

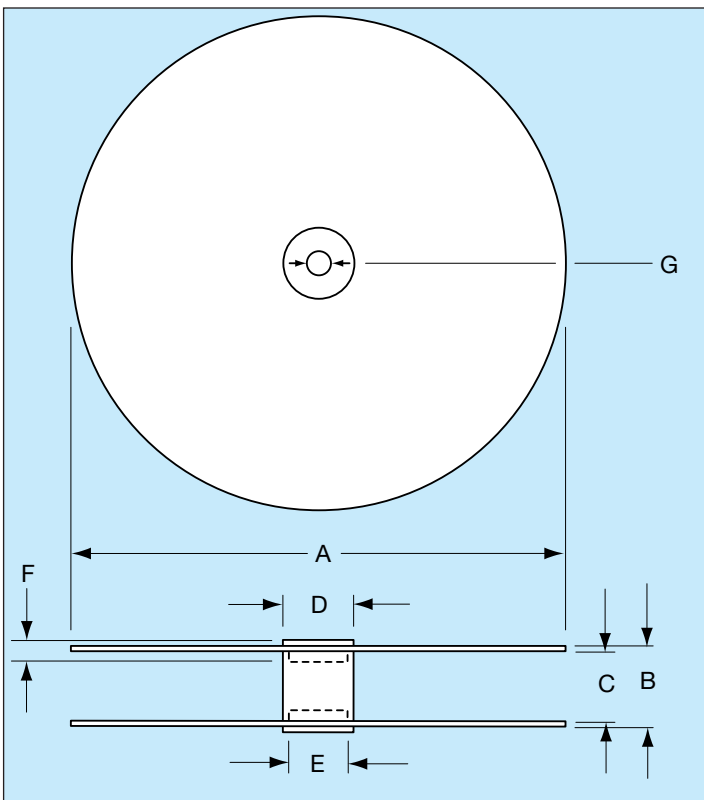
|  |  |
|--|--|
| A. Feed Hole Pitch   | 12.70 ± .20  |
| B. Feed Hole Diameter  | 3.99 ± .20   |
| C. Feed Hole Location  | 9.02 ± .51   |
| D. Component Lead Spacing  | 5.00 <sup>+0.79</sup> <sub>-.20</sub> or 2.54 <sup>+0.79</sup> <sub>-.20</sub> |
| E. Component Lead Location   | 3.81 ± .51 or 5.00 ± .51<br>for 2.54 lead spacing<br>2.00 maximum              |
| F. Component Lead Protrusion<br>(edge of carrier to cut end of lead) | 2.00 maximum   |
| K. Component Body Location   | 6.35 ± .41   |
| L. Carrier Tape Width  | 18.01 <sup>+1.02</sup> <sub>-.51</sub>   |
| M. Carrier Tape Assembly Thickness                                   | .71 ± .20  |
| N. Carrier Tape Spliced Thickness                                    | 1.42 maximum   |
| O. Carrier Tape Spliced Length                                       | 50.80 - 88.90  |
| Q. Adhesive Tape Border  | 3.00 maximum   |
| R. Component Bent Leads (either direction)                           | .79 maximum  |
| S. Component Misalignment  | .99 maximum  |
| T. Component Pitch   | 12.70 ± .99  |
| W. Adhesive Tape Width   | 5.00 minimum   |
| X. Carrier Tape Thickness  | .51 ± .10  |
| Y. Cumulative Pitch over 20 Pitches                                  | 254 ± 2.00   |





| QUANTITY PER REEL SR/AR                |      |
|--|------|
| PART                                   | PCS  |
| SR15, 07, 12                           | 3500 |
| SR20, 21, 23, 28<br>13, 29, 59, 62, 89 | 3000 |
| SR30, 32, 40, 63, 64<br>65, 75         | 2000 |
| MR05, 06                               | 2500 |

\*SL style available in all SR configurations.



| DESCRIPTION              | DIMENSIONS (MM) |
|--------------------------|-----------------|
| A – Reel Diameter        | 304.80 - 355    |
| B – Reel Outside Width   | 50.80 maximum   |
| C – Reel Inside Width    | 38.10 - 46.02   |
| D – Core Diameter (O.D.) | 102.01 maximum  |
| E – Hub Recess Diameter  | 86.36 maximum   |
| F – Hub Recess Depth     | 9.50 minimum    |
| G – Arbor Hole Diameter  | 25.40 - 30.48   |

| CONVERSION TABLE |      |      |      |      |      |       |       |        |        |
|------------------|------|------|------|------|------|-------|-------|--------|--------|
| MM               | IN   | MM   | IN   | MM   | IN   | MM    | IN    | MM     | IN     |
| .10              | .004 | 1.52 | .060 | 5.00 | .197 | 9.91  | .390  | 32.00  | 1.260  |
| .20              | .007 | 2.00 | .079 | 5.08 | .200 | 10.03 | .395  | 38.10  | 1.500  |
| .38              | .015 | 2.54 | .100 | 6.22 | .245 | 10.16 | .400  | 46.02  | 1.812  |
| .41              | .016 | 3.00 | .118 | 6.35 | .250 | 11.68 | .460  | 50.80  | 2.000  |
| .51              | .020 | 3.18 | .125 | 6.60 | .260 | 12.50 | .492  | 86.36  | 3.400  |
| .71              | .028 | 3.48 | .137 | 6.99 | .275 | 12.70 | .500  | 88.90  | 3.500  |
| .79              | .031 | 3.81 | .150 | 7.62 | .300 | 16.00 | .630  | 102.01 | 4.016  |
| .99              | .039 | 3.99 | .157 | 8.89 | .350 | 18.01 | .709  | 254.00 | 10.000 |
| 1.02             | .040 | 4.45 | .175 | 9.02 | .355 | 25.40 | 1.000 | 304.80 | 12.000 |
| 1.42             | .056 | 4.98 | .196 | 9.50 | .374 | 30.48 | 1.200 | 355.00 | 14.000 |