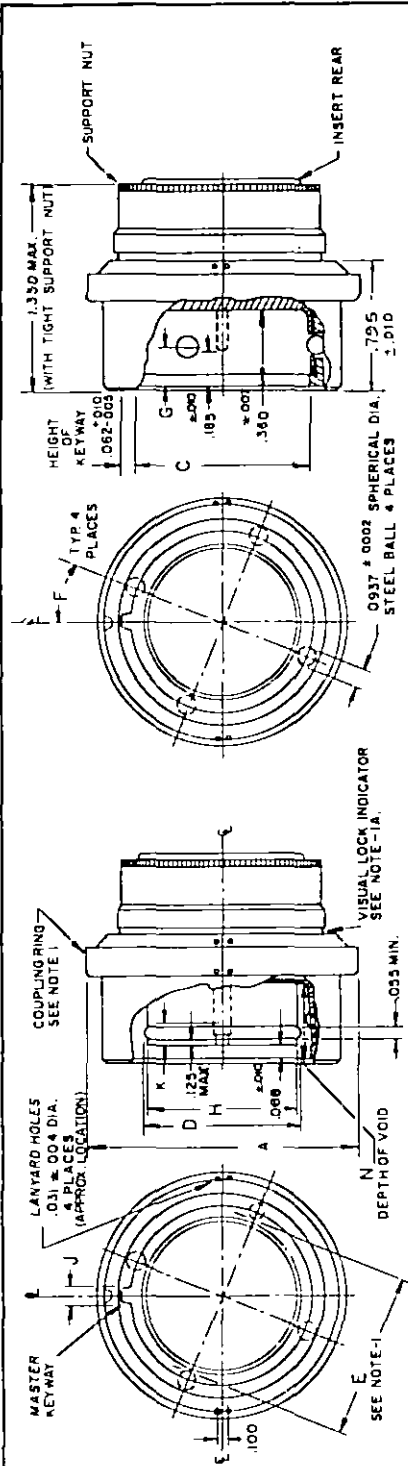


This military standard is approved by the Department of Defense and is applicable for use by all Departments & Agencies of the Department of Defense. Selection for all new engineering and design applications and for replacement use shall be made from this document.



STYLE S (SOCKET INSERT)

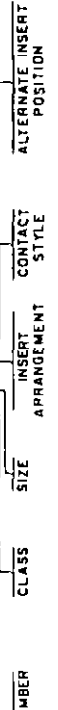
STYLE P (PIN INSERT)

CLASS E

SHELL SIZE DASH NO	A MAX DIA COUPLING RING	C MIN I.D. SHELL	D _{AVE} AVERAGE DIA INSERT SEAL	E MIN DIA BALL SPACING	F BALL LOCATION (ANGULAR)	G BALL LOCATION (DEPTH)	H DIA INSERT	J MAX WIDTH OF KEYWAY	K POINT OF SPRING CONTACT	FOR INSERT ARRANGEMENT SEE DRAWING
-3	.840	.444	.374	.391	30°		.344		.138 MAX. MEASURE WITH SQUARE ROSE PIN HAVING BASIC DIAMETER OF MATING CONTACT	MS 33698
-7	.970	.379	.490	.326			.460	.310 IN DISENGAGED POSITION		MS 33699
-12	1.090	.713	.630	.661	22 1/2°	202	.600	.114		MS 33700
-19	1.280	.852	.770	.799			.740			MS 33701
-27	1.455	1.007	.925	.954			.895			MS 33702
-37	1.590	1.127	1.047	1.076			1.017			MS 33703

NOTE: 1. COUPLING RING AND BALLS ARE SHOWN IN THE ENGAGED POSITION FOR CLARITY THIS POSITION SHALL ONLY BE POSSIBLE WHEN ENGAGED TO THE RECEPTACLE IN THE NORMAL DISENGAGED POSITION THE FOLLOWING IS TRUE:
A. THE VISUAL LOCK INDICATOR IS NOT IN VIEW.
B. THE BALLS ARE RELEASED WHEN "E" MIN. EQUALS "C".

EXAMPLE OF PART NO. MS 3147 E 19-50 S Y

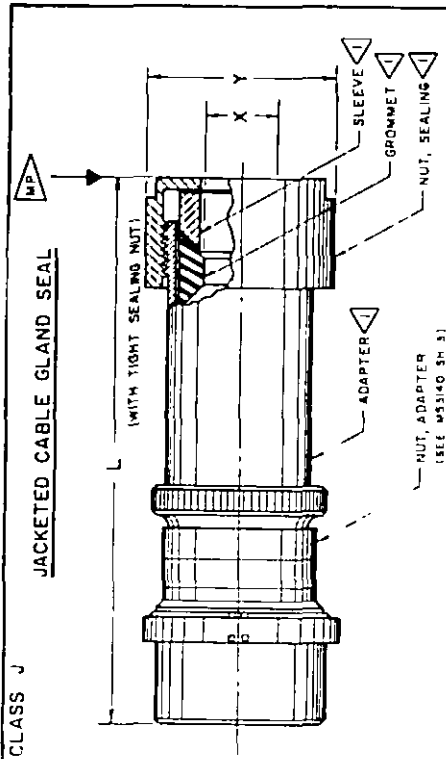


THIS STANDARD TAKES PRECEDENCE OVER DOCUMENTS REFERENCED HEREIN, UNLESS OTHERWISE SPECIFIED. TOLERANCE: DECIMALS: ± .016. ANGULAR TOLERANCE: ± 1/2°.

P A NAVY-AS Other Cust ARMY-EL	International Interest	TITLE CONNECTOR, PLUG, ELECTRIC CRIMP TYPE, PUSH - PULL COUPLING SERIES 2 (CLASS E AND J)
Procurement Specification MIL-C-81703		SUPERSEDES:

MILITARY STANDARD MS 3147
SHEET 1 OF 2

This military standard is approved by the Department of Defense and is mandatory for use by all Departments & Agencies of the Department of Defense. No action for all new engineering and design applications and for repetitive use shall be made from this document.



SHELL SIZE DASH NO.	L LENGTH MAY	X INSIDE DIA		Y NO. 4.	MP	MAX CABLE WEIGHTS IN POUNDS (ALLOWABLE FORCE IN DIRECTION INDICATED)
		MIN.	MAX.			
- 5	3.089	.178	.210	.645	20	20
- 7	4.072	.361	.413	.925	27	27
12	4.238	.412	.444	.988	40	40
- 19	4.572	.522	.554	1.113	55	55
- 27	4.572	.600	.632	1.113	80	80
- 37	4.603	.662	.694	1.176	120	120

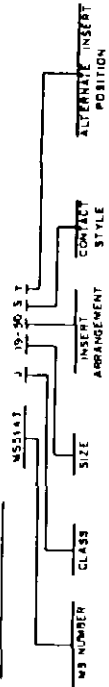
DIMENSIONS IN INCHES UNLESS OTHERWISE SPECIFIED.
TOLERANCES: DECIMALS ±.018, ANGULAR TOLERANCE ±1/2°.
FOR ADAPTER, SEALING NUT, GROMMET & SLEEVE SEE MS3140 SH. 3.

FED. SUP CLASS
5935

THIS STANDARD TAKES PRECEDENCE OVER DOCUMENTS REFERENCED HEREIN. REVISIONS SHALL BE OF THE ISSUE IN EFFECT ON DATE OF INVITATION FOR BID.

CLASS J JACKETED CABLE GLAND SEAL - WATER TIGHT TYPE - FOR USE WITH CLASS E CONNECTORS.

EXAMPLE OF PART NO.



APPROVED 10 SEPT. '62 REVISED (D) FOR CHANGES SEE SHEETS 1 & 2.

P A NAVY-AS Other Cust ARMY-EL	International Interest	TITLE CONNECTOR, PLUG, ELECTRIC, CRIMP TYPE, PUSH-PULL COUPLING (CLASS E AND J) SERIES 2	MILITARY STANDARD MS3147
Procurement Specification MIL-C-81703	SUPERSIDE:		SHEET 2