

**Oxley Inc.**  
 31 Business Park Drive  
 BRANFORD CT 06405  
**Phone:** (203) 488-1033  
**Fax:** (203) 481-6971  
**E-Mail:** inquire@oxleyinc.com  
**Web site:** www.oxleyinc.com

**Oxley Developments Co. Ltd.**  
 Priory Park, ULVERSTON  
 Cumbria LA12 9QG, United Kingdom  
**Phone:** +44 1229 582621  
**Fax:** +44 1229 585090  
**E-Mail:** sales@oxley.co.uk  
**Web site:** www.oxley.co.uk

**Item # OXL/MIL50/H/GN, Sub-Miniature Lamp - Flat Lens**

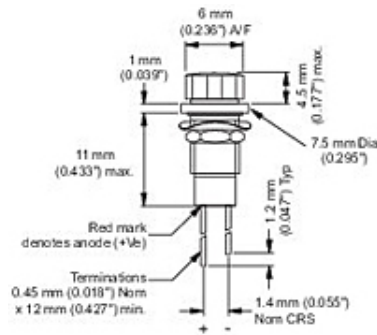
List Price QUOTE

**Features**

- Rugged glass and metal construction
- Sealed top and rear to IP67
- Ideal where panel space is at a premium
- Black anodised bezel for harsh environment
- Clear flat diffused lens
- 60° Viewing angle
- Operating temp -40 to 85 °C
- Storage temp -55 to 100 °C

1) For Night Vision Goggle compatible options please add RAF/NVG to the end of the order information. e.g. OXL/MIL50/RAF/NVG plus 10 - Green, 20 - Yellow or 30 - Red (RAF denotes sunlight readability)

2) Flying lead terminations available on request.



**SPECIFICATIONS**

Mounting Hole Diameter	5.00 mm 0.197 in
IP Rating	IP67
Termination	Flying leads LED lead terminations Tags
NVIS Parameters	No
EMI Shielded	No
Flash Type	Single Chip LED

Type No.	OXL/MIL50
Colour	Green
Forward Voltage	3.6 V
Current	20 mA
Luminous Intensity	1250 mcd
Reverse Voltage	5 V
Mean Time before Failure	90000 h