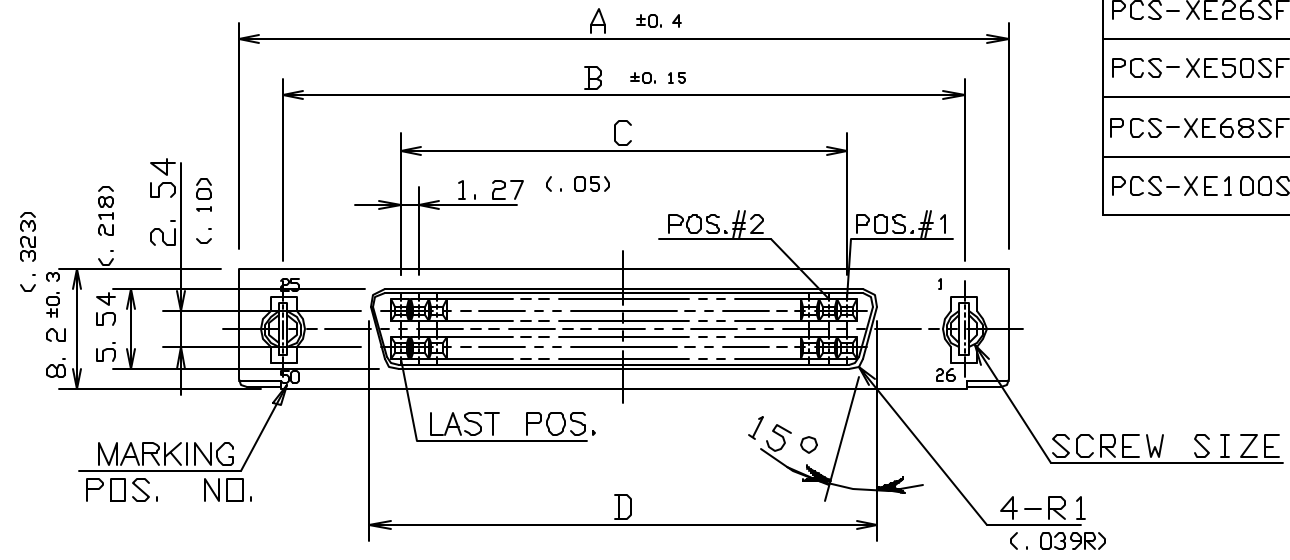


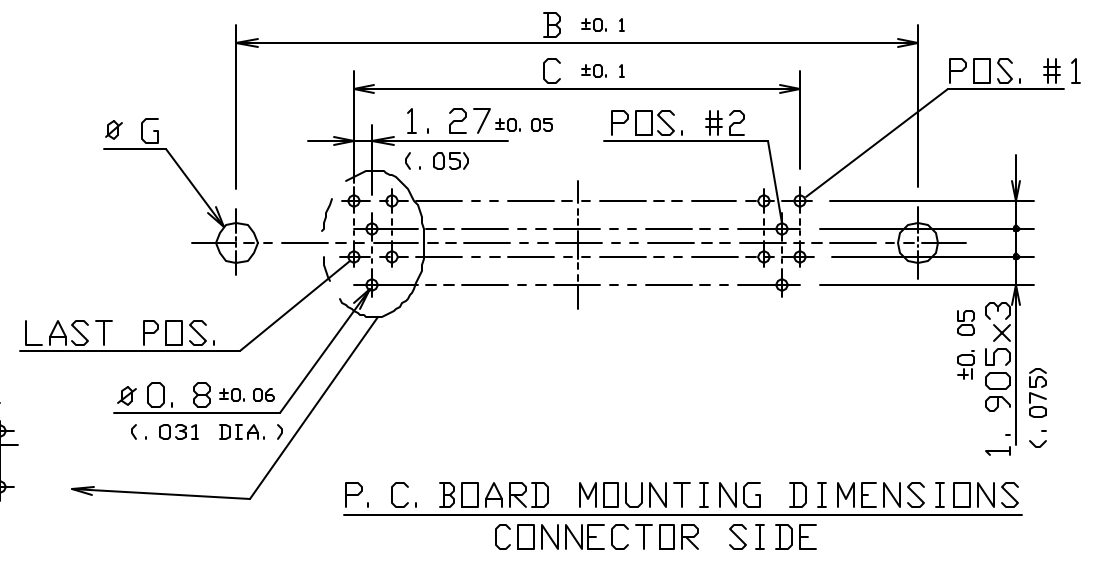
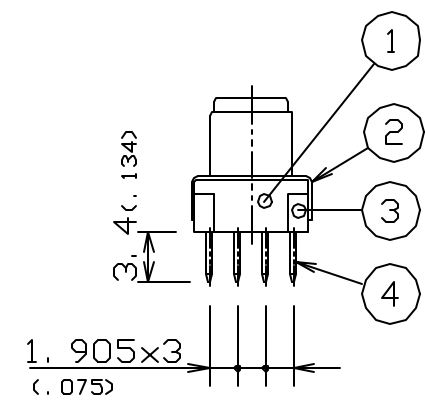
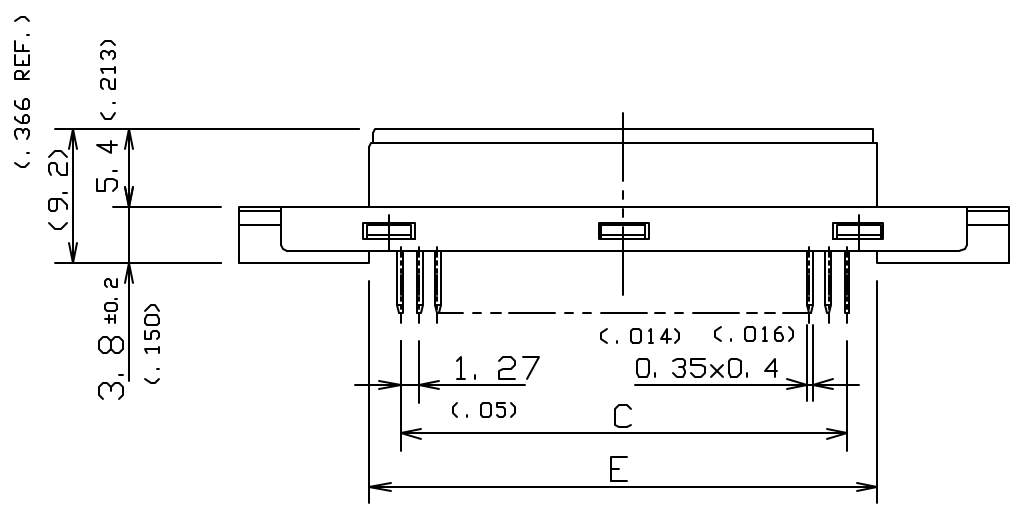
PART NO.	NO. OF POS.	A	B	C	D	E	F	MARKING
PCS-XE26SFD(>N	26	37.2 (1.465)	31.2 (1.228)	$1.27 \times (13-1) = 15.24$ (.60)	19.46 (.766)	20.00 (.787)	26.80 (1.055)	1, 13, 14, 26
PCS-XE50SFD(>N	50	52.5 (2.067)	46.5 (1.831)	$1.27 \times (25-1) = 30.48$ (1.20)	34.70 (1.366)	35.24 (1.387)	42.10 (1.657)	1, 25, 26, 50
PCS-XE68SFD(>N	68	63.9 (2.516)	57.9 (2.280)	$1.27 \times (34-1) = 41.91$ (1.65)	46.13 (1.816)	46.67 (1.837)	53.50 (2.106)	1, 34, 35, 68
PCS-XE100SFD(>N	100	84.3 (3.319)	78.23 (3.080)	$1.27 \times (50-1) = 62.23$ (2.45)	66.45 (2.616)	66.99 (2.637)	73.85 (2.907)	1, 50, 51, 100



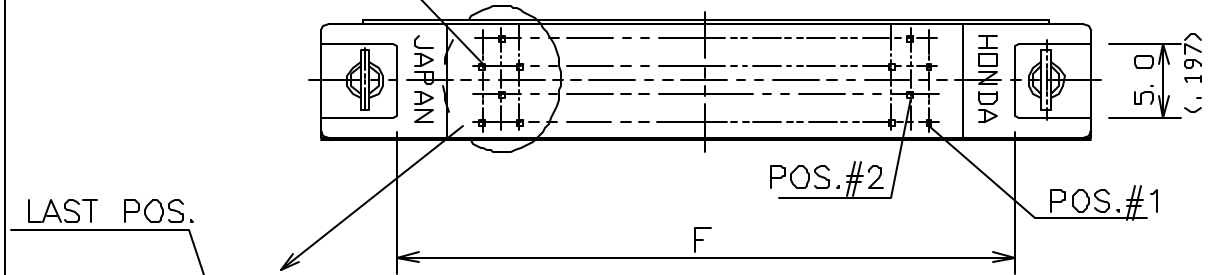
PART NO.	SCREW SIZE	øG
PCS-XE<>SFDN	M2.5x045	2.8 (.110 DIA.)
PCS-XE<>SFDUN	#4-40UNC	3.05 (.120 DIA.)
PCS-XE<>SFDU2N	#2-56UNC	2.5 (.098 DIA.)

PART NO. PCS-XE50SFDU2N
 NO. OF POS.
 SCREW SIZE

HONDA
 PRINT RM
 95.05.10
 ISSUED



P.C. BOARD THICKNESS: 1.6mm(.063)



68 & 100 POS.

NOTE
 1. CONTACT FINISH
 GOLD(0.20µm) ON MATING AREA,
 TIN/LEAD ON TERMINATION AREA,
 ALL OVER NICKEL.

4	CONTACT	PHOSPHOR BRONZE	NO. OF POS.	NOTE#1	
3	INSULATOR	PBT(GF)	1		UL94V-0 BLACK
2	SHELL II	STEEL	1	NICKEL PLATING	
1	SHELL I	ZINC ALLOY	1	NICKEL PLATING	

LTR.	DATE	BY	REV.	DESIGN	NO.	PART NAME	MATERIAL	QTY	FINISH	NOTE
	SEP. 6	94		2/1		HONDA TSUSHIN KOGYO., LTD.				
						NAME			PCS-XE TYPE FEMALE CONNECTOR	
						PART NO.			PCS-XE<>SFD<>N	REV. B