

Features

- High-speed access times
 - Com'l: 8, 10, 12, 15, and 20 ns
 - Ind: 12, 15, and 20 ns
- Low power operation (typical)
 - PDM31564SA
 - Active: 300 mW
 - Standby: 25mW
- High-density 256K x 16 architecture
- 3.3V ($\pm 0.3V$) power supply
- Fully static operation
- TTL-compatible inputs and outputs
- Output buffer controls: \overline{OE}
- Data byte controls: \overline{LB} , \overline{UB}
- Packages:
 - Plastic SOJ (400 mil) - SO
 - Plastic TSOP (II) - T

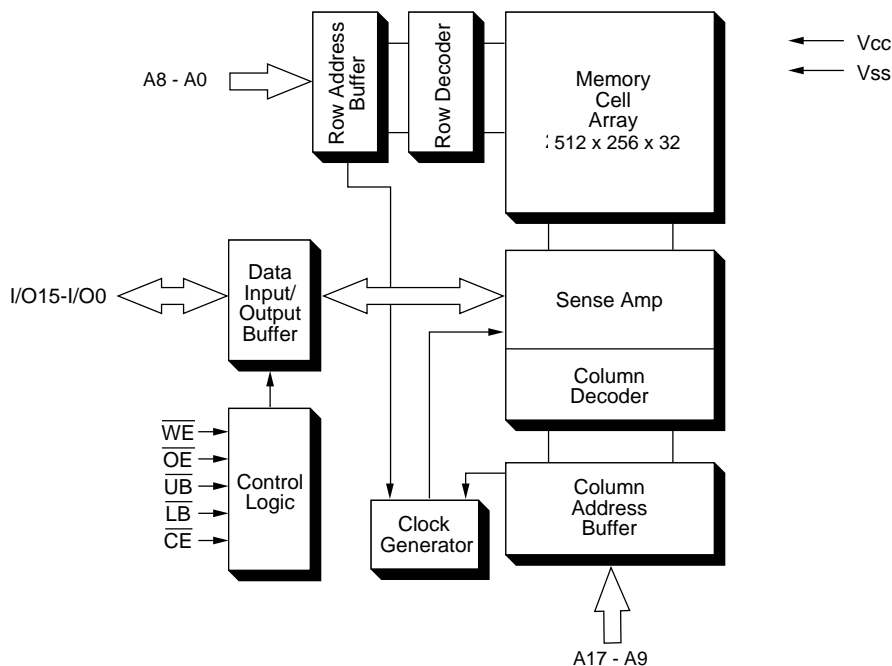
Description

The PDM31564 is a high-performance CMOS static RAM organized as 262,144 x 16 bits. The PDM31564 features low power dissipation using chip enable (\overline{CE}) and has an output enable input (\overline{OE}) for fast memory access. Byte access is supported by upper and lower byte controls.

The PDM31564 operates from a single 3.3V power supply and all inputs and outputs are fully TTL-compatible.

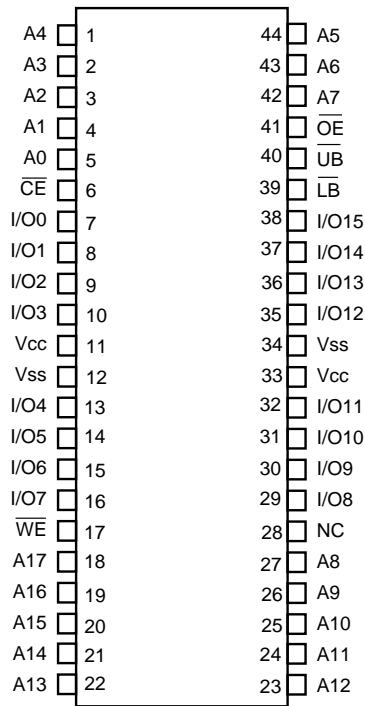
The PDM31564 is available in a 44-pin 400-mil plastic SOJ and a plastic TSOP package for high-density surface assembly and is suitable for use in high-speed applications requiring high-speed storage.

Functional Block Diagram

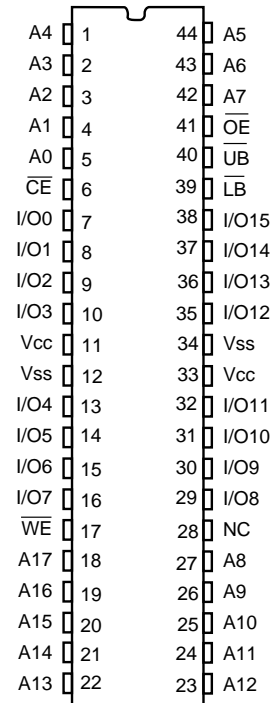


Pin Configuration

TSOP (II)



SOJ



Pin Description

| Name | Description |
|-----------------|--------------------------|
| A17-A0 | Address Inputs |
| I/O15-I/O0 | Data Inputs |
| CE | Chip Enable Input |
| WE | Write Enable Input |
| OE | Output Enable Input |
| LB, UB | Data Byte Control Inputs |
| NC | No Connect |
| V _{ss} | Ground |
| V _{CC} | Power (+3.3V) |

Capacitance (T_A = +25°C, f = 1.0 MHz)

| Symbol | Parameter | Conditions | Max. | Unit |
|------------------|--------------------|------------------------------------|------|------|
| C _{IN} | Input Capacitance | V _{IN} = V _{SS} | 6 | pF |
| C _{I/O} | Output Capacitance | V _{I/O} = V _{SS} | 8 | pF |

NOTE: This parameter is determined by device characterization, but is not production tested.

Operating Mode

| Mode | CE | OE | WE | LB | UB | I/O7-I/O0 | I/O15-I/O8 | Power |
|----------------|----|----|----|----|----|----------------|----------------|-----------------|
| Read | L | L | H | L | L | Output | Output | I _{CC} |
| | | | | H | L | High Impedance | Output | I _{CC} |
| | | | | L | H | Output | High Impedance | I _{CC} |
| Write | L | X | L | L | L | Input | Input | I _{CC} |
| | | | | H | L | High Impedance | Input | I _{CC} |
| | | | | L | H | Input | High Impedance | I _{CC} |
| Output Disable | L | H | H | X | x | High Impedance | High Impedance | I _{CC} |
| | L | X | X | H | H | High Impedance | High Impedance | I _{CC} |
| Standby | H | X | X | X | X | High Impedance | High Impedance | I _{SB} |

NOTE: H = V_{IH}, L = V_{IL}, X = DON'T CARE

Absolute Maximum Ratings (1)

| Symbol | Rating | Com'l. | Ind. | Unit |
|-------------------|--|--------------|--------------|------|
| V _{TERM} | Terminal Voltage with Respect to V _{SS} | -0.5 to +4.6 | -0.5 to +4.6 | V |
| T _{BIAS} | Temperature Under Bias | -55 to +125 | -65 to +135 | °C |
| T _{STG} | Storage Temperature | -55 to +125 | -65 to +150 | °C |
| P _T | Power Dissipation | 1.5 | 1.5 | W |
| I _{OUT} | DC Output Current | 50 | 50 | mA |
| T _j | Maximum Junction Temperature (2) | 125 | 145 | °C |

- NOTE: 1. Stresses greater than those listed under ABSOLUTE MAXIMUM RATINGS may cause permanent damage to the device. This is a stress rating only and functional operation of the device at these or any other conditions above those indicated in the operational sections of this specification is not implied. Exposure to absolute maximum rating conditions for extended periods may affect reliability.
2. Appropriate thermal calculations should be performed in all cases and specifically for those where the chosen package has a large thermal resistance (e.g., TSOP). The calculation should be of the form: $T_j = T_a + P * \theta_{ja}$ where T_a is the ambient temperature, P is average operating power and θ_{ja} the thermal resistance of the package. For this product, use the following θ_{ja} values:

SOJ: 59° C/W
 TSOP: 87° C/W

Recommended DC Operating Conditions

| Symbol | Description | Min. | Typ. | Max. | Unit |
|-----------------|---------------------|------|------|------|------|
| V _{CC} | Supply Voltage | 3.0 | 3.3 | 3.6 | V |
| V _{SS} | Supply Voltage | 0 | 0 | 0 | V |
| Industrial | Ambient Temperature | -40 | 25 | 85 | °C |
| Commercial | Ambient Temperature | 0 | 25 | 70 | °C |

DC Electrical Characteristics ($V_{CC} = 3.3V \pm 0.3V$)

| Symbol | Parameter | Test Conditions | | Min. | Max. | Unit |
|----------|------------------------|---|----------------|---------------------|----------------|---------------|
| I_{LI} | Input Leakage Current | $V_{CC} = \text{Max.}, V_{IN} = V_{SS} \text{ to } V_{CC}$ | Com'l/ Ind. | -5 | 5 | μA |
| I_{LO} | Output Leakage Current | $V_{CC} = \text{Max.}, \overline{CE} = V_{IH}, V_{OUT} = V_{SS} \text{ to } V_{CC}$ | Com'l/ Ind. | -5 | 5 | μA |
| V_{IL} | Input Low Voltage | | | -0.3 ⁽¹⁾ | 0.8 | V |
| V_{IH} | Input High Voltage | | | 2.2 | $V_{CC} + 0.3$ | V |
| V_{OL} | Output Low Voltage | $I_{OL} = 8 \text{ mA}, V_{CC} = \text{Min.}$ | | — | 0.4 | V |
| V_{OH} | Output High Voltage | $I_{OH} = -4 \text{ mA}, V_{CC} = \text{Min.}$ | | 2.4 | — | V |

NOTE: 1. $V_{IL}(\text{min}) = -3.0V$ for pulse width less than 20 ns.

Power Supply Characteristics

| Symbol | Parameter | -8 | -10 | -12 | | -15 | | -20 | | Unit |
|-----------|---|-------|-------|-------|------|-------|------|-------|------|------|
| | | Com'l | Com'l | Com'l | Ind. | Com'l | Ind. | Com'l | Ind. | |
| I_{CC} | Operating Current $\overline{CE} = V_{IL}$ $f = f_{MAX} = 1/t_{RC}$ $V_{CC} = \text{Max.}$ $I_{OUT} = 0 \text{ mA}$ | 220 | 210 | 200 | 210 | 190 | 200 | 185 | 195 | mA |
| I_{SB} | Standby Current $\overline{CE} = V_{IH}$ $f = f_{MAX} = 1/t_{RC}$ $V_{CC} = \text{Max.}$ | 50 | 45 | 40 | 45 | 35 | 40 | 30 | 35 | mA |
| I_{SB1} | Full Standby Current $\overline{CE} \geq V_{CC} - 0.2V$ $f = 0$ $V_{CC} = \text{Max.},$ $V_{IN} \geq V_{CC} - 0.2V \text{ or } \leq 0.2V$ | 10 | 10 | 10 | 15 | 10 | 15 | 10 | 15 | mA |

NOTES: All values are maximum guaranteed values.

AC Test Conditions

| | |
|-------------------------------|---------------------|
| Input pulse levels | V_{SS} to 3.0V |
| Input rise and fall times | 2.5 NS |
| Input timing reference levels | 1.5V |
| Output reference levels | 1.5V |
| Output load | See Figures 1 and 2 |

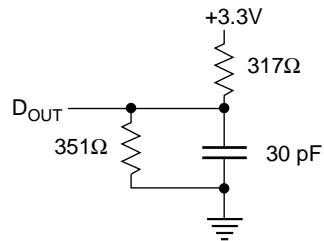


Figure 1. Output Load

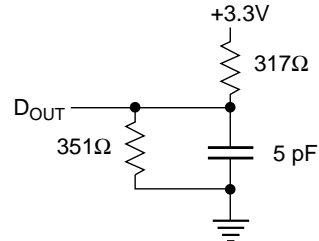
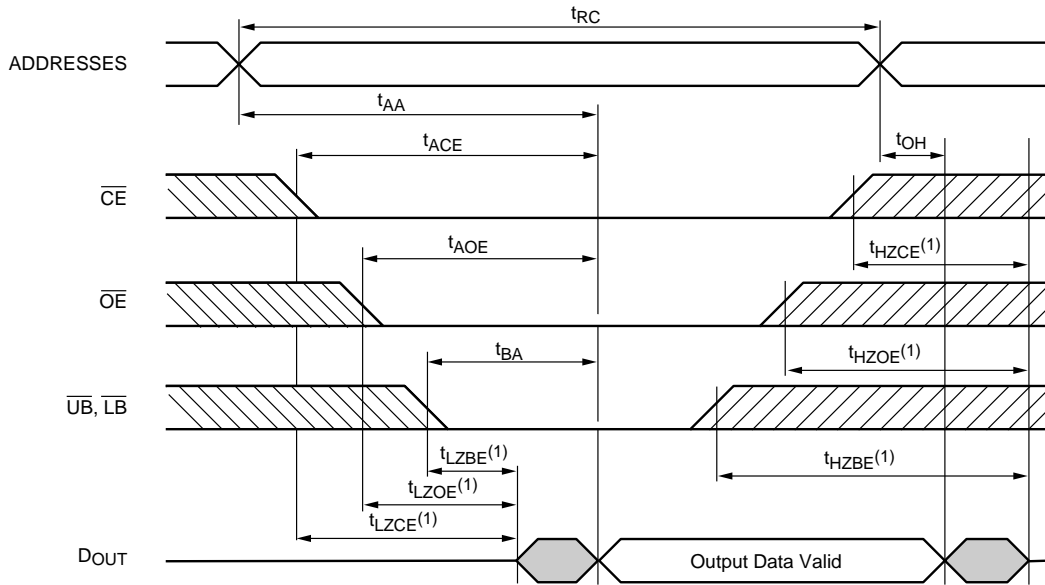


Figure 2. Output Load Equivalent
(for t_{LZCE} , t_{HZCE} , t_{LZWE} , t_{HZWE} ,
 t_{LZBE} , t_{HZBE} , t_{LZOE} , t_{HZOE})

Read Timing Diagram

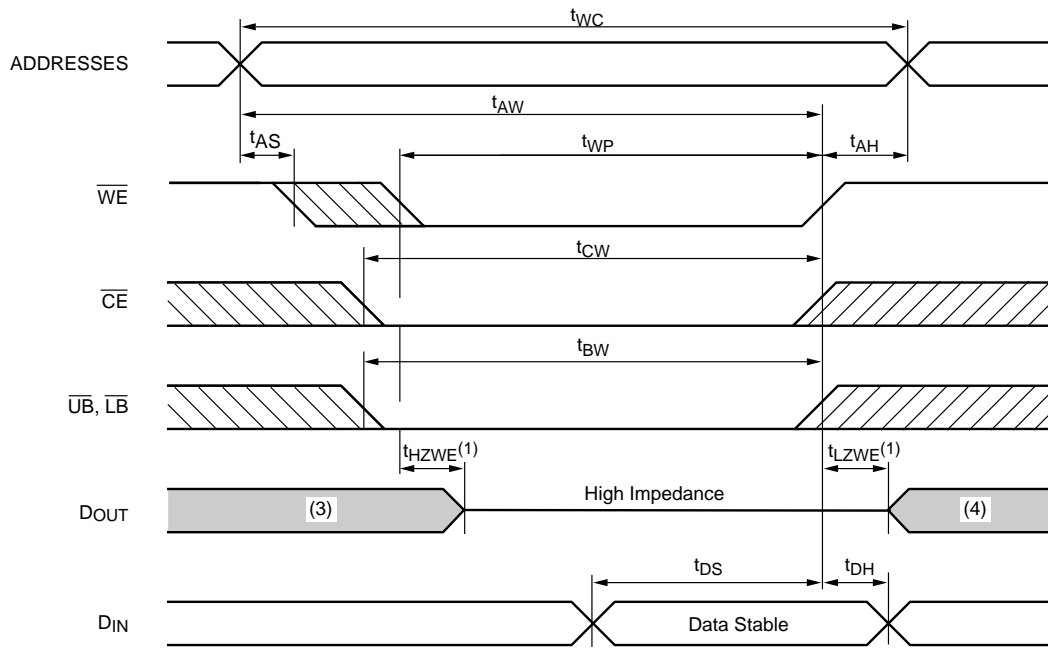


AC Electrical Characteristics

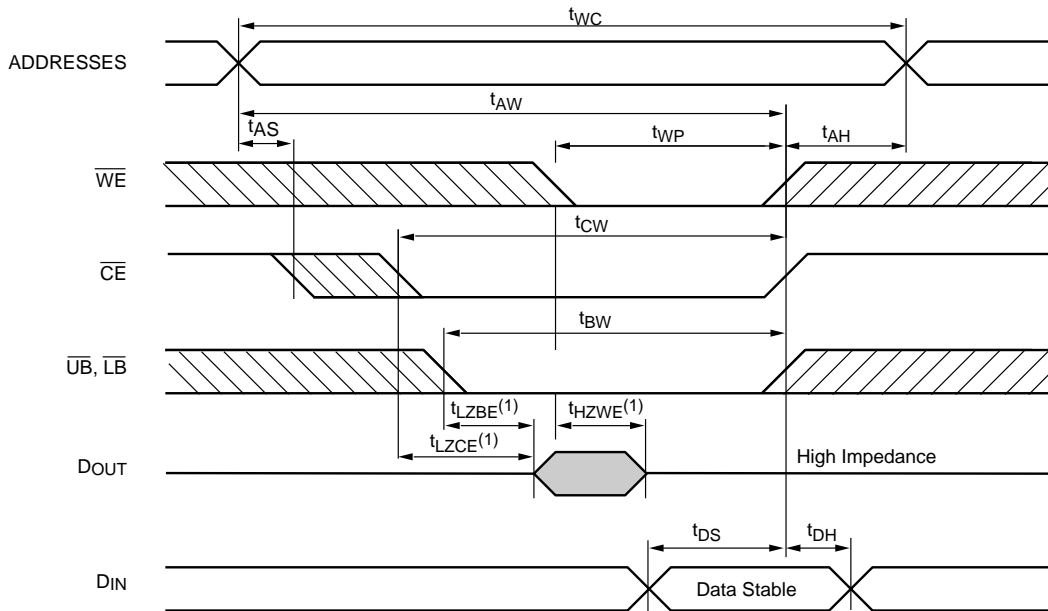
| Description | Symbol | -8* | | -10* | | -12 | | -15 | | -20 | | Unit |
|--|------------------|-----|-----|------|-----|-----|-----|-----|-----|-----|-----|------|
| | | Min | Max | Min | Max | Min | Max | Min | Max | Min | Max | |
| READ cycle time | t_{RC} | 8 | — | 10 | — | 12 | — | 15 | — | 20 | — | ns |
| Address access time | t_{AA} | — | 8 | — | 10 | — | 12 | — | 15 | — | 20 | ns |
| Chip enable access time | t_{ACE} | — | 8 | — | 10 | — | 12 | — | 15 | — | 20 | ns |
| Byte access time | t_{BA} | — | 5 | — | 6 | — | 7 | — | 8 | — | 9 | ns |
| Output hold from address change | t_{OH} | 4 | — | 4 | — | 4 | — | 4 | — | 4 | — | ns |
| Byte disable to output in low-Z ⁽¹⁾ | $t_{LZBE}^{(1)}$ | 0 | — | 0 | — | 0 | — | 0 | — | 0 | — | ns |
| Byte enable to output in high-Z ⁽¹⁾ | $t_{HZBE}^{(1)}$ | — | 4 | — | 5 | — | 8 | — | 9 | — | 9 | ns |
| Chip enable to output in low-Z ⁽¹⁾ | $t_{LZCE}^{(1)}$ | 3 | — | 3 | — | 4 | — | 4 | — | 5 | — | ns |
| Chip disable to output high-Z ^(1, 2) | $t_{HZCE}^{(1)}$ | — | 4 | — | 5 | — | 6 | — | 7 | — | 8 | ns |
| Output enable access time | t_{AOE} | — | 4 | — | 5 | — | 6 | — | 7 | — | 10 | ns |
| Output enable to output in low-Z ⁽¹⁾ | $t_{LZOE}^{(1)}$ | 0 | — | 0 | — | 0 | — | 0 | — | 0 | — | ns |
| Output disable to output in high-Z ^(1, 2) | $t_{HZOE}^{(1)}$ | — | 4 | — | 5 | — | 5 | — | 6 | — | 6 | ns |

* $V_{CC} = 3.3V \pm 5\%$

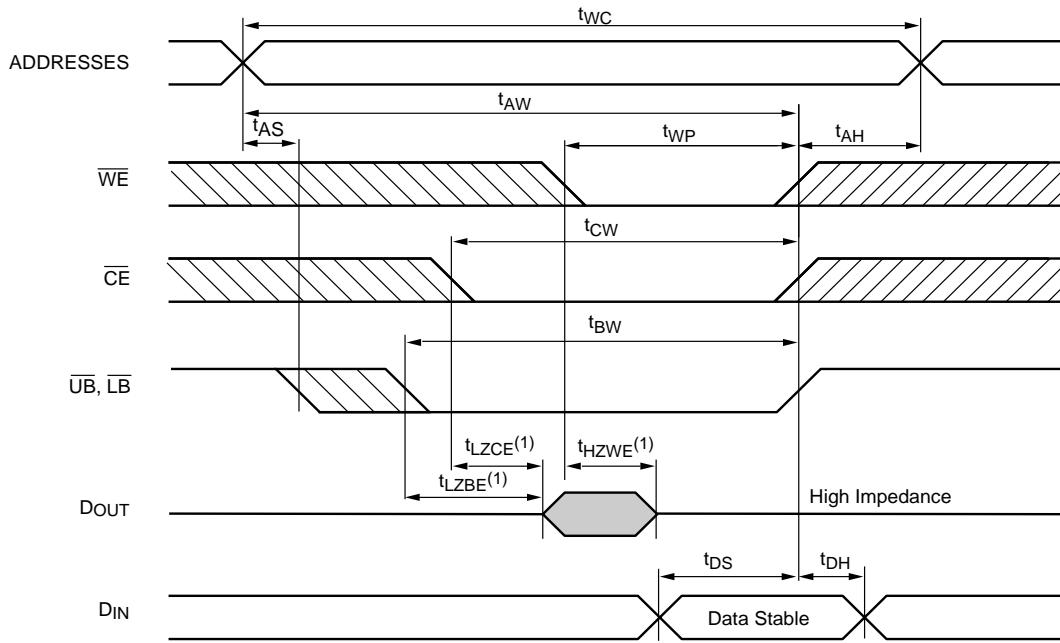
Write Cycle 1 Timing Diagram (\overline{WE} Controlled)



Write Cycle 2 Timing Diagram (\overline{CE} Controlled)



Write Cycle 3 Timing Diagram (\overline{UB} , \overline{LB} Controlled)



AC Electrical Characteristics

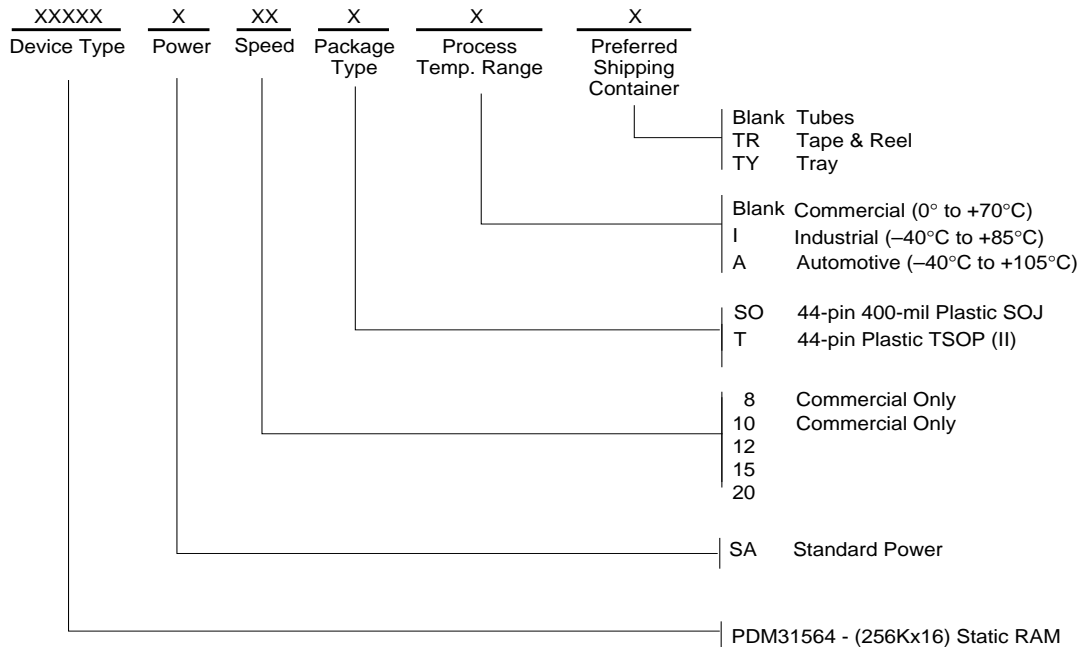
| Description | Sym | -8* | | -10* | | -12 | | -15 | | -20 | | Unit |
|---|------------|------|-----|------|-----|------|------|------|------|------|------|------|
| | | Min. | Max | Min. | Max | Min. | Max. | Min. | Max. | Min. | Max. | |
| WRITE Cycle | | | | | | | | | | | | |
| WRITE cycle time | t_{WC} | 8 | — | 10 | — | 12 | — | 15 | — | 20 | — | ns |
| Chip enable to end of write | t_{CW} | 7 | — | 8 | — | 10 | — | 11 | — | 13 | — | ns |
| Address valid to end of write | t_{AW} | 7 | — | 8 | — | 10 | — | 11 | — | 13 | — | ns |
| Byte pulse width | t_{BW} | 7 | — | 8 | — | 10 | — | 12 | — | 13 | — | ns |
| Address setup time | t_{AS} | 0 | — | 0 | — | 0 | — | 0 | — | 0 | — | ns |
| Address hold from end of write | t_{AH} | 0 | — | 0 | — | 0 | — | 0 | — | 0 | — | ns |
| Write pulse width | t_{WP} | 7 | — | 8 | — | 8 | — | 9 | — | 10 | — | ns |
| Data setup time | t_{DS} | 5 | — | 6 | — | 7 | — | 8 | — | 9 | — | ns |
| Data hold time | t_{DH} | 0 | — | 0 | — | 0 | — | 0 | — | 0 | — | ns |
| Byte disable to output in low $Z^{(1,3,4)}$ | t_{LZBE} | 0 | — | 0 | — | 0 | — | 0 | — | 0 | — | ns |
| Byte enable to output in high $Z^{(1,3,4)}$ | t_{HZBE} | — | 6 | — | 6 | — | 7 | — | 8 | — | 9 | ns |
| Output disable to output in low $Z^{(1,3,4)}$ | t_{LZOE} | 0 | — | 0 | — | 0 | — | 0 | — | 0 | — | ns |
| Output enable to output in high $Z^{(1,3,4)}$ | t_{HZOE} | — | 6 | — | 6 | — | 7 | — | 7 | — | 8 | ns |
| Write disable to output in low $Z^{(1,3,4)}$ | t_{LZWE} | 0 | — | 0 | — | 0 | — | 0 | — | 0 | — | ns |
| Write enable to output in high $Z^{(1,3,4)}$ | t_{HZWE} | — | 6 | 6 | — | — | 7 | — | 7 | — | 9 | ns |

* $V_{CC} = 3.3v \pm 5\%$

NOTES:

1. Parameter is determined by device characterization and is not production tested. See Figure 2 for load conditions.
2. If the \overline{CE} LOW transition occurs coincident with or after the \overline{WE} LOW transition, outputs remain in a high impedance state.
3. If the \overline{CE} HIGH transition occurs coincident with or after the \overline{WE} HIGH transition, outputs remain in a high impedance state.
4. If \overline{OE} is HIGH during a write cycle, the outputs are in a high-impedance state during this period.

Ordering Information



Faster Memories for a Faster World™