

# SERIES PSA ATTENUATORS

Pill, Drop-in – DC-12.4 GHz

**RoHS**  
Compliant

**AEROFLEX**  
A passion for performance.

## FEATURES

- Laser Trimmed
- Temperature Stable
- 100% Tested
- Fixtures Available

## GENERAL INFORMATION

The PSA Series attenuators are “pill” devices designed for installation in stripline circuits. The element is a thin film laser trimmed chip, encapsulated in an epoxy. The resilient spring configuration provides positive ground plane contact, regardless of variations in ground plane spacing tolerances. The PSA Series attenuators are ideal for high-rel applications.

## ORDERING INFORMATION

The attenuators are available in 1 dB increments from 1 through 20 dB. Specify desired attenuation value by adding the attenuation value to the basic series designation. (See note 4)

### EXAMPLE:

PSA - X  
|           |  
Basic    dB  
Series    Value

## NOTES

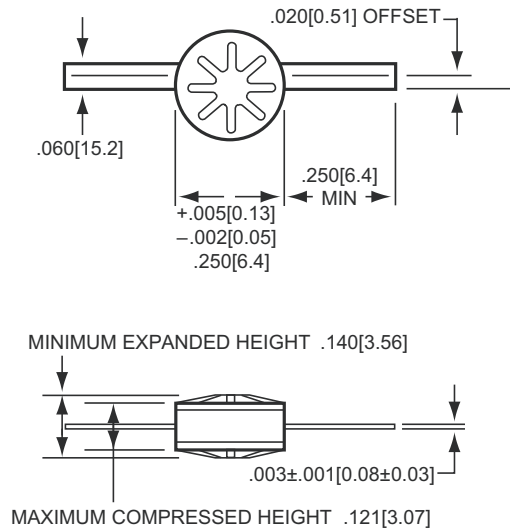
1. Performance of other dB values vary dependent on attenuation. Contact factory for specifications for fractional dB values.
2. Performance is typical and based on device mounted in matched 50 Ohm line.
3. Rated power 1.5 Watts input.
4. Standard values 1, 2, 3, 4, 5, 6, 10, 20 dB. Non-std values available as special order.



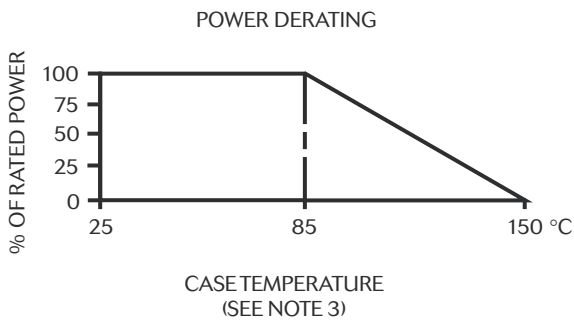
## GENERAL SPECIFICATIONS

Impedance	50 Ohms
Operating Temperature	-55°C to +150°C
Substrate	96% Alumina
Resistive Element	Proprietary Thin Film
Case, Cap & Tabs	Copper, Gold Plated per MIL-G-45204

## PHYSICAL DIMENSIONS



## AVERAGE POWER DERATING CURVE



## PERFORMANCE SPECIFICATIONS

Attenuation Increment (dB) Notes 1,4	Attenuation Accuracy (dB) Note 2			VSWR (Typical) Note 2		
	DC-4 GHz	4-8 GHz	8-12.4 GHz	DC-4 GHz	4-8 GHz	8-12.4 GHz
1 - 3	±0.5	±0.5	±0.5	1.25	1.35	1.50
4 - 6	±0.5	±0.5	±0.5	1.25	1.35	1.50
7 - 10	±0.5	±0.5	±0.75	1.25	1.35	1.50
11 - 15	±0.75	+0.5 -3.0	+0.5 -4.0	1.25	1.35	1.50
16 - 20	±1.0	+0.5 -4.0	-	1.25 1.25	1.35 1.35	- -

KEY: Inches [Millimeters] .XX ±.03 .XXX ±.010 [X ±0.8 .XX ±0.25]

**AEROFLEX**  
INMET

300 Dino Drive, Ann Arbor, MI 48103  
 Tel: 888-244-6638 or 734-426-5553 • Fax: 734-426-5557  
 www.aeroflex.com/inmet • inmet@aeroflex.com

REV 04/11