

## Overview

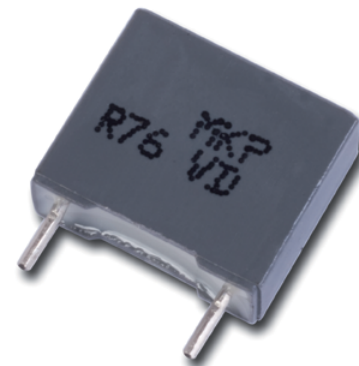
The R76 Series is a polypropylene dielectric with double-metallized polyester film as electrodes. The capacitor is encapsulated in self-extinguishing resin in a box of material meeting the requirements of UL 94 V-0.

## Applications

Typical applications include deflection circuits in televisions (S-correction and flyback tuning) and monitors, switching spikes suppression in switched mode power supplies (SMPS), lamp capacitors for electronic ballasts and compact lamps, and snubber and silicon-controlled rectifier (SCR) commutation circuits as well as applications with high voltage and high current.

## Benefits

- Rated voltage: 250 – 2,000 VDC
- Rated voltage: 180 – 700 VAC
- Capacitance range: 0.0001 – 15  $\mu$ F
- Lead spacing: 7.5 – 37.5 mm
- Capacitance tolerance:  $\pm$ 2.5% (for  $C \geq 0.001 \mu$ F only),  $\pm$ 5%,  $\pm$ 10%
- Climatic category: 55/105/56, IEC 60068-1
- Tape and reel packaging in accordance with IEC 60286-2
- RoHS Compliant and lead-free terminations
- Category temperature range of -55°C to +105°C



## Part Number System

R76	I	D	1680	AA	00	H
Series	Rated Voltage (VDC)	Lead Spacing (mm)	Capacitance Code ( $\mu$ F)	Lead and Packaging Code	Internal Use	Capacitance Tolerance
Metallized Polypropylene	I = 250 M = 400 P = 630 Q = 1000 T = 1600 U = 2000	D = 7.5 F = 10.0 I = 15.0 N = 22.5 R = 27.5 W = 37.5	Digits 2 – 4 indicate the first three digits of the capacitance value. First digit indicates the number of zeros to be added.	See Ordering Options Table	00, 30, 40, 70 (Standard)	H = $\pm$ 2.5% (for $C \geq 0.001 \mu$ F only) J = $\pm$ 5% K = $\pm$ 10%

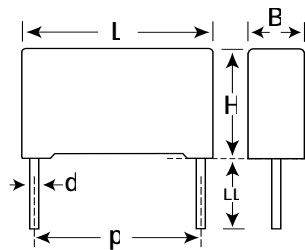
## Ordering Options Table

Lead Spacing Nominal (mm)	Type of Leads and Packaging	Lead Length (mm)	Lead and Packaging Code
7.5	<b>Standard Lead and Packaging Options</b>		
	Bulk (Bag) – Short Leads	4 +2/-0	SE
	Ammo Pack	$H_0 = 18.5 \pm 0.5$	DQ
	<b>Other Lead and Packaging Options</b>		
	Bulk (Bag) – Long Leads	17 +1/-2	Z3
Tape & Reel (Standard Reel)	$H_0 = 18.5 \pm 0.5$	GY	

## Ordering Options Table cont'd

Lead Spacing Nominal (mm)	Type of Leads and Packaging	Lead Length (mm)	Lead and Packaging Code
10	<b>Standard Lead and Packaging Options</b>		
	Bulk (Bag) – Short Leads	4 +2/-0	SE
	Ammo Pack	H <sub>0</sub> = 18.5 +/-0.5	DQ
	<b>Other Lead and Packaging Options</b>		
	Bulk (Bag) – Long Leads	17 +1/-2	Z3
	Tape & Reel (Standard Reel)	H <sub>0</sub> = 18.5 +/-0.5	GY
	Tape & Reel (Large Reel)	H <sub>0</sub> = 18.5 +/-0.5	CK
15	<b>Standard Lead and Packaging Options</b>		
	Bulk (Bag) – Short Leads	4 +2/-0	SE
	Ammo Pack	H <sub>0</sub> = 18.5 +/-0.5	DQ
	<b>Other Lead and Packaging Options</b>		
	Bulk (Bag) – Long Leads	25 +2/-1	50
	Bulk (Bag) – Max Length Leads	30 +5/-0	40
	Tape & Reel (Standard Reel)	H <sub>0</sub> = 18.5 +/-0.5	GY
	Tape & Reel (Large Reel)	H <sub>0</sub> = 18.5 +/-0.5	CK
	Pizza Pack	4 +2/-0	BB
22.5	<b>Standard Lead and Packaging Options</b>		
	Bulk (Tray) – Straight Leads	4 +2/-0	SE
	Ammo Pack	H <sub>0</sub> = 18.5 +/-0.5	DQ
	<b>Other Lead and Packaging Options</b>		
	Bulk (Tray) – Long Leads	25 +2/-1	50
	Bulk (Tray) – Max Length Leads	30 +5/-0	40
	Tape & Reel (Large Reel)	H <sub>0</sub> = 18.5 +/-0.5	CK
	Pizza Pack	4 +2/-0	BB
27.5	<b>Standard Lead and Packaging Options</b>		
	Bulk (Tray) – Straight Leads	4 +2/-0	SE
	<b>Other Lead and Packaging Options</b>		
	Bulk (Tray) – Long Leads	25 +2/-1	50
	Bulk (Tray) – Max Length Leads	30 +5/-0	40
	Tape & Reel (Large Reel)	H <sub>0</sub> = 18.5 +/-0.5	CK
37.5	<b>Standard Lead and Packaging Options</b>		
	Tray– Short Leads	4 +2/-0	0
	<b>Other Lead and Packaging Options</b>		
	Tray– Long Leads	25 +2/-1	50
	Tray– Max Length Leads	30 +5/-0	40

## Dimensions – Millimeters



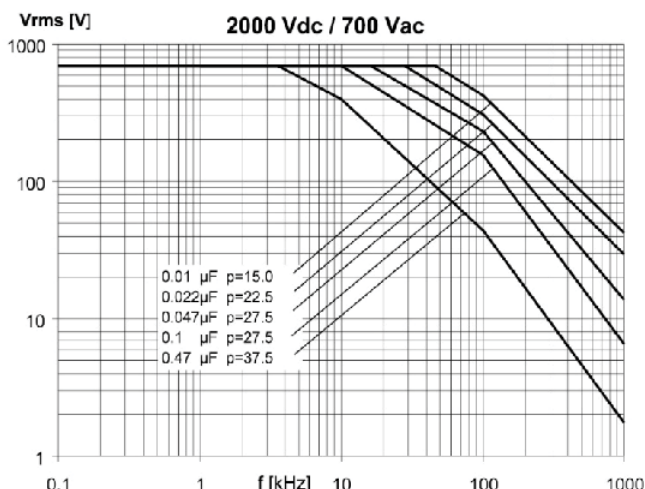
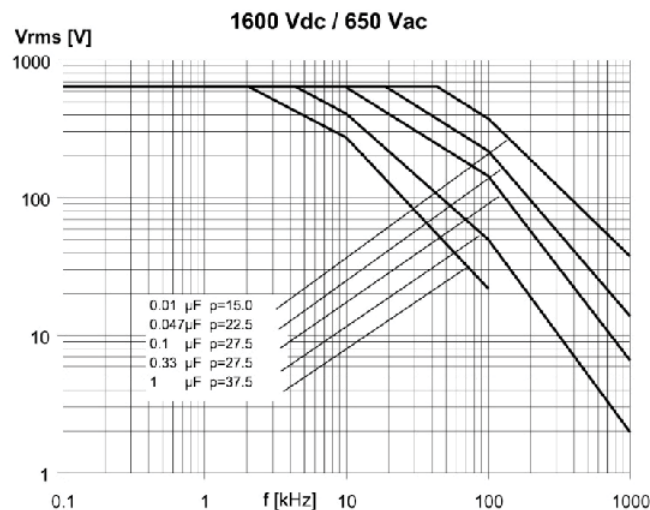
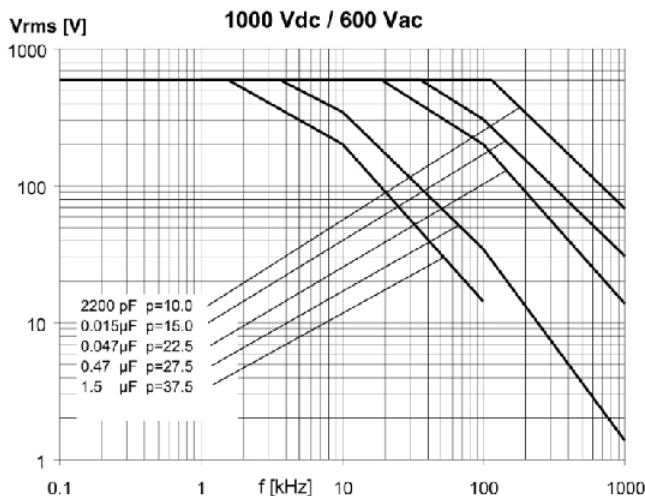
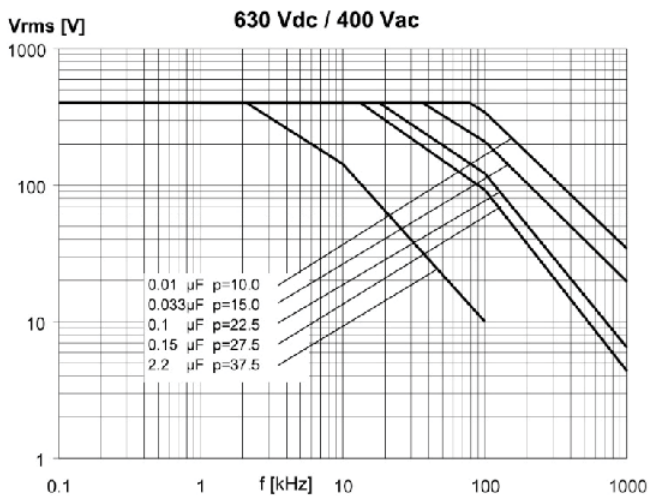
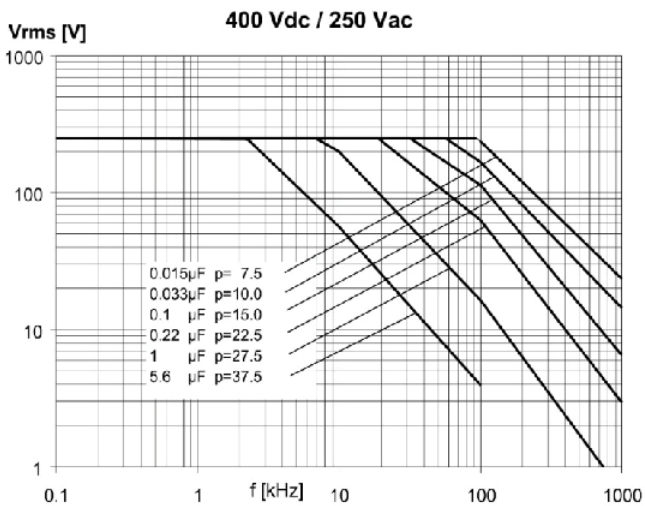
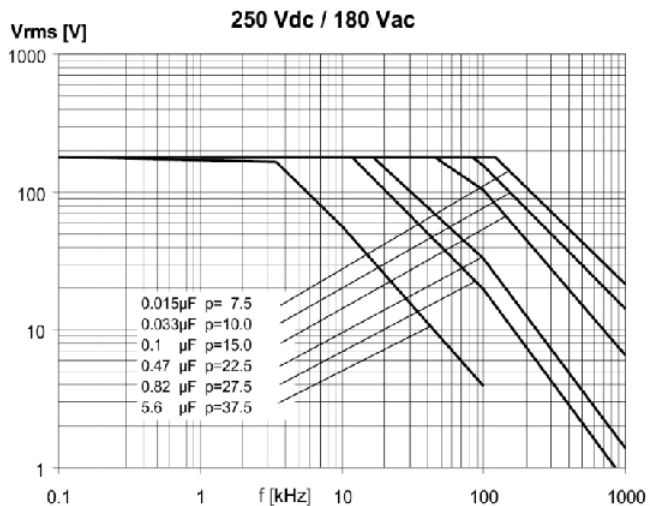
p		B		H		L		d	
Nominal	Tolerance	Nominal	Tolerance	Nominal	Tolerance	Nominal	Tolerance	Nominal	Tolerance
7.5	+/-0.4	3	+0.1/-0	8	+0.1/-0	10	+0.2/-0	0.5	+/-0.05
7.5	+/-0.4	4	+0.1/-0	9	+0.1/-0	10	+0.2/-0	0.6	+/-0.05
7.5	+/-0.4	5	+0.1/-0	10.5	+0.1/-0	10	+0.2/-0	0.6	+/-0.05
7.5	+/-0.4	6	+0.1/-0	12	+0.1/-0	10.5	+0.2/-0	0.6	+/-0.05
10	+/-0.4	4	+0.2/-0	9	+0.1/-0	13	+0.2/-0	0.6	+/-0.05
10	+/-0.4	5	+0.2/-0	11	+0.1/-0	13	+0.2/-0	0.6	+/-0.05
10	+/-0.4	6	+0.2/-0	12	+0.1/-0	13	+0.2/-0	0.6	+/-0.05
15	+/-0.4	4	+0.2/-0	10	+0.1/-0	18	+0.3/-0	0.8	+/-0.05
15	+/-0.4	5	+0.2/-0	11	+0.1/-0	18	+0.3/-0	0.8	+/-0.05
15	+/-0.4	6	+0.2/-0	12	+0.1/-0	18	+0.3/-0	0.8	+/-0.05
15	+/-0.4	7.5	+0.2/-0	13.5	+0.1/-0	18	+0.5/-0	0.8	+/-0.05
15	+/-0.4	8.5	+0.2/-0	14.5	+0.1/-0	18	+0.5/-0	0.8	+/-0.05
15	+/-0.4	9	+0.2/-0	12.5	+0.1/-0	18	+0.5/-0	0.8	+/-0.05
15	+/-0.4	10	+0.2/-0	16	+0.1/-0	18	+0.5/-0	0.8	+/-0.05
15	+/-0.4	11	+0.2/-0	19	+0.1/-0	18	+0.5/-0	0.8	+/-0.05
15	+/-0.4	13	+0.2/-0	12	+0.1/-0	18	+0.5/-0	0.8	+/-0.05
22.5	+/-0.4	6	+0.2/-0	15	+0.1/-0	26.5	+0.3/-0	0.8	+/-0.05
22.5	+/-0.4	7	+0.2/-0	16	+0.1/-0	26.5	+0.3/-0	0.8	+/-0.05
22.5	+/-0.4	8.5	+0.2/-0	17	+0.1/-0	26.5	+0.3/-0	0.8	+/-0.05
22.5	+/-0.4	10	+0.2/-0	18.5	+0.1/-0	26.5	+0.3/-0	0.8	+/-0.05
22.5	+/-0.4	11	+0.2/-0	20	+0.1/-0	26.5	+0.3/-0	0.8	+/-0.05
22.5	+/-0.4	13	+0.2/-0	22	+0.1/-0	26.5	+0.3/-0	0.8	+/-0.05
27.5	+/-0.4	9	+0.2/-0	17	+0.1/-0	32	+0.3/-0	0.8	+/-0.05
27.5	+/-0.4	11	+0.2/-0	20	+0.1/-0	32	+0.3/-0	0.8	+/-0.05
27.5	+/-0.4	13	+0.2/-0	22	+0.1/-0	32	+0.3/-0	0.8	+/-0.05
27.5	+/-0.4	13	+0.2/-0	25	+0.1/-0	32	+0.3/-0	0.8	+/-0.05
27.5	+/-0.4	14	+0.2/-0	28	+0.1/-0	32	+0.3/-0	0.8	+/-0.05
27.5	+/-0.4	18	+0.2/-0	33	+0.1/-0	32	+0.3/-0	0.8	+/-0.05
27.5	+/-0.4	22	+0.2/-0	37	+0.1/-0	32	+0.3/-0	0.8	+/-0.05
37.5	+/-0.4	11	+0.3/-0	22	+0.1/-0	41.5	+0.3/-0	1	+/-0.05
37.5	+/-0.4	13	+0.3/-0	24	+0.1/-0	41.5	+0.3/-0	1	+/-0.05
37.5	+/-0.4	16	+0.3/-0	28.5	+0.1/-0	41.5	+0.3/-0	1	+/-0.05
37.5	+/-0.4	19	+0.3/-0	32	+0.1/-0	41.5	+0.3/-0	1	+/-0.05
37.5	+/-0.4	20	+0.3/-0	40	+0.1/-0	41.5	+0.3/-0	1	+/-0.05
37.5	+/-0.4	24	+0.3/-0	44	+0.1/-0	41.5	+0.3/-0	1	+/-0.05
37.5	+/-0.4	30	+0.3/-0	45	+0.1/-0	41.5	+0.3/-0	1	+/-0.05

**Note: See Ordering Options Table for lead length (LL) options.**

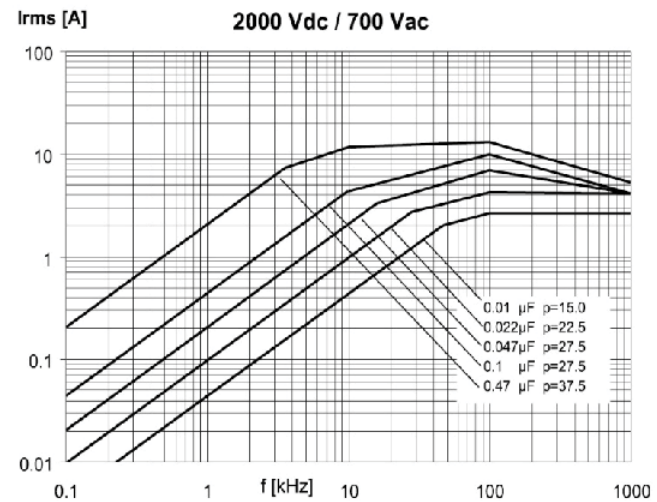
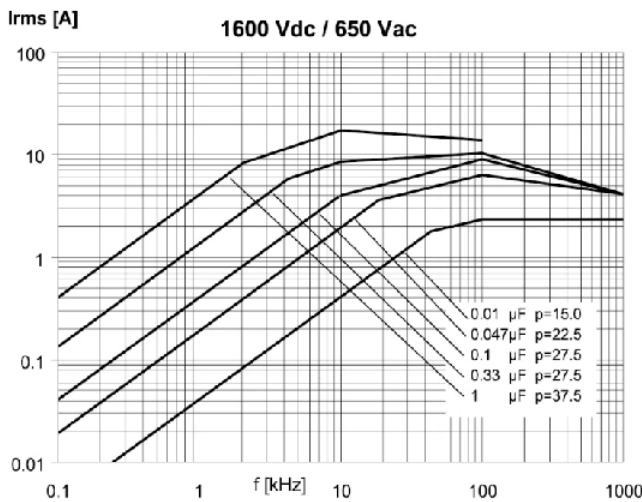
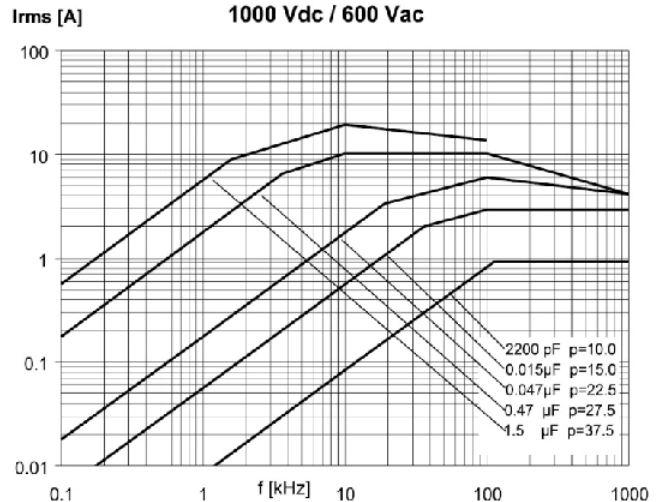
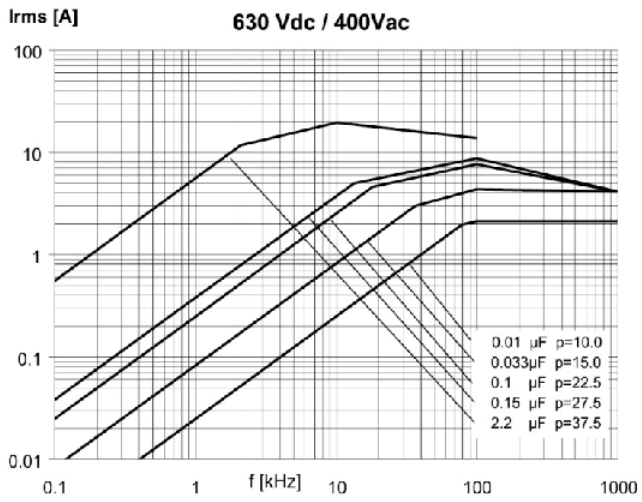
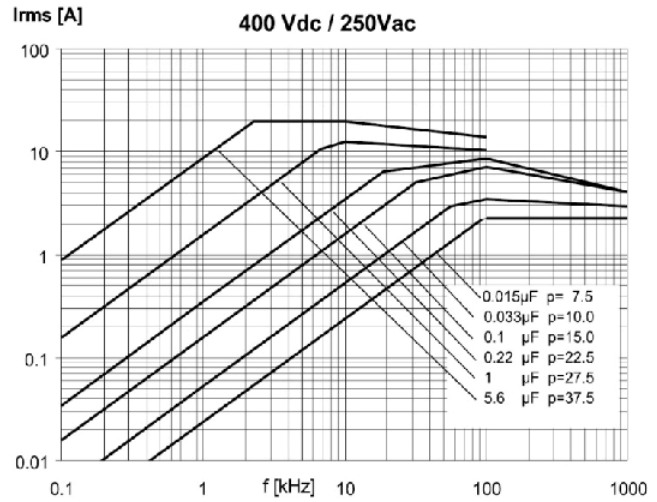
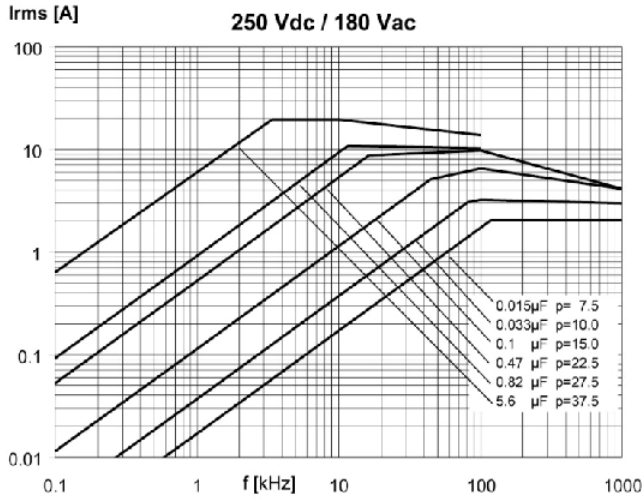
## Performance Characteristics

Sections	1	1	1	2	2	2	2	2
Voltage Range (VDC)	250	400	630	630	1000	1000	1600	2000
Voltage Range (VAC)	180	250	250	400	400	600	650	700
Capacitance Range ( $\mu\text{F}$ )	0.0068 – 15	0.0027 – 8.2	0.00068 – 0.012	0.00039 – 5.6	0.00022 – 0.0033	0.00047 – 2.2	0.0033 – 1.2	0.0001 – 0.68
Capacitance Values	In accordance with IEC E12 series							
Capacitance Tolerance	$\pm 2.5\%$ (for $C \geq 1,000 \text{ pF}$ only), $\pm 5\%$ , $\pm 10\%$							
Category Temperature Range	$-55^\circ\text{C}$ to $+105^\circ\text{C}$							
Voltage Derating	The following decreasing factor has to be applied on the rated voltage: $+85^\circ\text{C}$ to $+105^\circ\text{C}$ : 1.25% per $^\circ\text{C}$ for $V_R$ (DC) $+75^\circ\text{C}$ to $+105^\circ\text{C}$ : 1.35% per $^\circ\text{C}$ for $V_R$ (AC)							
Climatic Category	IEC 60068-1, 55/105/56							
Self-Inductance L (Lead Length ~ 2 mm)	Lead Spacing (mm)		7.5	10	15	22.5	27.5	37.5
	L (nH) $\approx$		8	9	10	18	18	20
Dissipation Factor $\tan\delta$	Measured at $25^\circ\text{C} \pm 5^\circ\text{C}$							
			$C \leq 0.1 \mu\text{F}$		$0.1 \mu\text{F} < C \leq 1.0 \mu\text{F}$		$C > 1.0 \mu\text{F}$	
	1 kHz		0.0003		0.0003		0.0004	
	10 kHz		0.0004		0.0006			
	100 kHz		0.0015					–
Insulation Resistance	Measured at $+25^\circ\text{C}$ , 100 VDC 60 seconds							
	Minimum Values Between Terminals							
		$C \leq 0.33 \mu\text{F}$			$\geq 100,000 \text{ M}\Omega$			
	$C > 0.33 \mu\text{F}$			$\geq 30,000 \text{ M}\Omega \cdot \mu\text{F}$				
Test Voltage Between Terminals	$1.6 \times V_R$ applied for 2 seconds at $25^\circ\text{C} \pm 5^\circ\text{C}$							

## Maximum Voltage ( $V_{rms}$ ) vs. Frequency (Sinusoidal Waveform/ $T \leq 40^\circ\text{C}$ )



## Maximum Current ( $I_{rms}$ ) vs. Frequency (Sinusoidal Waveform/ $T \leq 40^\circ\text{C}$ )



Note: p (pitch) in mm.

## Environmental Test Data

Test	IEC Publication	Procedure	Requirements
Voltage Proof	60384-1 Clause 4.6	$1.6 \times V_R$ after 60 seconds	The capacitors must withstand the voltage without breakdowns or flashovers and without decreased insulation resistance below the value in each detail specification. No visible damage
	Clause 4.6 2.3	$2 \times V_R$ (minimum 400 VDC to case) after 60 seconds	As above
Vibration	60068-2-6 Test Fc	6 hours with 10 – 500 Hz and 0.75 mm amplitude or 98 m/s <sup>2</sup> depending on frequency	No visible damage $\tan\delta \leq 1.2 \times$ stated value at 100 kHz $\Delta C/C \leq \pm 0.5\%$
Bump	60068-2-29 Test Eb	4,000 bumps with 390 m/s <sup>2</sup> mounted on PCB	$\Delta C/C \leq \pm 0.5\%$ $\tan\delta \leq 1.2 \times$ stated value at 100 kHz Insulation resistance: $\geq 100,000 \text{ M}\Omega$ for $C_R \leq 0.33 \mu\text{F}$ $\geq 30,000 \text{ M}\Omega \cdot \mu\text{F}$ for $C_R > 0.33 \mu\text{F}$
Resistance to Soldering Heat	60068-2-20 Method 1A	Solder bath at + 260°C $\pm$ 5°C with screening	Immersion of the terminations into the solder bath shall be completed in a time not exceeding 1 second and the terminations shall remain immersed to the specified depth for 10 + 1 second and then be withdrawn. $\Delta C/C \leq \pm 1.0\%$ $\tan\delta$ increase < 0.001 No visible damage
Climatic Sequence	60384-1 Paragraph 4:21	60068-2.2 dry heat 16 hours 60068-2-34 damp heat, one cycle 60068-2-1 Test Aa 2 hours	Insulation resistance: $\geq 100,000 \text{ M}\Omega$ for $C_R \leq 0.33 \mu\text{F}$ $\geq 30,000 \text{ M}\Omega \cdot \mu\text{F}$ for $C_R > 0.33 \mu\text{F}$ $\Delta C/C \leq \pm 0.5\%$ $\tan\delta \leq 1.2 \times$ stated value at 100 kHz
Damp Heat Steady State	60068-2-3 Test Ca	+40°C and 90 – 95% RH	56 days no visible damage Insulation resistance: $\geq 50,000 \text{ M}\Omega$ for $C_R \leq 0.33 \mu\text{F}$ $\geq 15,000 \text{ M}\Omega \cdot \mu\text{F}$ for $C_R > 0.33 \mu\text{F}$ $\Delta C/C \leq \pm 1\%$ $\tan\delta \leq 1.2 \times$ stated value at 100 kHz
Endurance, AC		1,000 hours at +85°C and $1.25 \times V_R$ AC	No visible damage $\Delta C/C \leq \pm 3\%$ $\tan\delta \leq 1.5 \times$ stated value at 100 kHz Insulation resistance: $\geq 100,000 \text{ M}\Omega$ for $C_R \leq 0.33 \mu\text{F}$ $\geq 30,000 \text{ M}\Omega \cdot \mu\text{F}$ for $C_R > 0.33 \mu\text{F}$
Charge and Discharge	60384-17 Paragraph 4.13	10,000 pulses and with (2 x) dV/dt according to detail specification	$\tan\delta$ (100 kHz) $\leq 2 \times$ stated value (100 kHz) $\Delta C/C \leq \pm 0.5\%$ Insulation resistance: $\geq 50,000 \text{ M}\Omega$ for $C_R \leq 0.33 \mu\text{F}$ $\geq 15,000 \text{ M}\Omega \cdot \mu\text{F}$ for $C_R > 0.33 \mu\text{F}$

## Environmental Compliance

All KEMET pulse capacitors are RoHS Compliant.



RoHS Compliant

**Table 1 – Ratings & Part Number Reference**

VDC	VAC	Cap Value (µF)	Dimensions in mm			Lead Spacing (p)	dV/dt (V/µs)	Max K <sub>0</sub> (V <sup>2</sup> /µs)	New KEMET Part Number	Legacy Part Number
			B	H	L					
250	180	0.0068	3.0	8.0	10.0	7.5	1100	55 E4	76ID1680(1)30(2)	R76ID1680(1)30(2)
250	180	0.0082	3.0	8.0	10.0	7.5	1100	55 E4	76ID1820(1)30(2)	R76ID1820(1)30(2)
250	180	0.010	3.0	8.0	10.0	7.5	1100	55 E4	76ID2100(1)30(2)	R76ID2100(1)30(2)
250	180	0.012	4.0	9.0	10.0	7.5	1100	55 E4	76ID2120(1)40(2)	R76ID2120(1)40(2)
250	180	0.015	4.0	9.0	10.0	7.5	1100	55 E4	76ID2150(1)40(2)	R76ID2150(1)40(2)
250	180	0.018	4.0	9.0	10.0	7.5	1100	55 E4	76ID2180(1)40(2)	R76ID2180(1)40(2)
250	180	0.022	4.0	9.0	10.0	7.5	1100	55 E4	76ID2220(1)40(2)	R76ID2220(1)40(2)
250	180	0.027	5.0	10.5	10.0	7.5	1100	55 E4	76ID2270(1)40(2)	R76ID2270(1)40(2)
250	180	0.033	5.0	10.5	10.0	7.5	1100	55 E4	76ID2330(1)40(2)	R76ID2330(1)40(2)
250	180	0.039	6.0	12.0	10.5	7.5	1100	55 E4	76ID2390(1)30(2)	R76ID2390(1)30(2)
250	180	0.047	6.0	12.0	10.5	7.5	1100	55 E4	76ID2470(1)30(2)	R76ID2470(1)30(2)
250	180	0.027	4.0	9.0	13.0	10.0	1000	50 E4	76IF2270(1)30(2)	R76IF2270(1)30(2)
250	180	0.033	4.0	9.0	13.0	10.0	1000	50 E4	76IF2330(1)30(2)	R76IF2330(1)30(2)
250	180	0.039	4.0	9.0	13.0	10.0	1000	50 E4	76IF2390(1)30(2)	R76IF2390(1)30(2)
250	180	0.047	5.0	11.0	13.0	10.0	1000	50 E4	76IF2470(1)30(2)	R76IF2470(1)30(2)
250	180	0.056	5.0	11.0	13.0	10.0	1000	50 E4	76IF2560(1)30(2)	R76IF2560(1)30(2)
250	180	0.068	6.0	12.0	13.0	10.0	1000	50 E4	76IF2680(1)30(2)	R76IF2680(1)30(2)
250	180	0.082	6.0	12.0	13.0	10.0	1000	50 E4	76IF2820(1)30(2)	R76IF2820(1)30(2)
250	180	0.068	5.0	11.0	18.0	15.0	550	28 E4	76I12680(1)30(2)	R76I12680(1)30(2)
250	180	0.082	5.0	11.0	18.0	15.0	550	28 E4	76I12820(1)30(2)	R76I12820(1)30(2)
250	180	0.10	5.0	11.0	18.0	15.0	550	28 E4	76I13100(1)30(2)	R76I13100(1)30(2)
250	180	0.12	6.0	12.0	18.0	15.0	550	28 E4	76I13120(1)30(2)	R76I13120(1)30(2)
250	180	0.15	6.0	12.0	18.0	15.0	550	28 E4	76I13150(1)30(2)	R76I13150(1)30(2)
250	180	0.18	7.5	13.5	18.0	15.0	550	28 E4	76I13180(1)30(2)	R76I13180(1)30(2)
250	180	0.18	9.0	12.5	18.0	15.0	550	28 E4	76I13180(1)70(2)	R76I13180(1)70(2)
250	180	0.22	7.5	13.5	18.0	15.0	550	28 E4	76I13220(1)30(2)	R76I13220(1)30(2)
250	180	0.22	9.0	12.5	18.0	15.0	550	28 E4	76I13220(1)70(2)	R76I13220(1)70(2)
250	180	0.27	8.5	14.5	18.0	15.0	550	28 E4	76I13270(1)30(2)	R76I13270(1)30(2)
250	180	0.27	9.0	12.5	18.0	15.0	550	28 E4	76I13270(1)70(2)	R76I13270(1)70(2)
250	180	0.33	10.0	16.0	18.0	15.0	550	28 E4	76I13330(1)30(2)	R76I13330(1)30(2)
250	180	0.33	13.0	12.0	18.0	15.0	550	28 E4	76I13330(1)70(2)	R76I13330(1)70(2)
250	180	0.39	10.0	16.0	18.0	15.0	550	28 E4	76I13390(1)30(2)	R76I13390(1)30(2)
250	180	0.47	11.0	19.0	18.0	15.0	550	28 E4	76I13470(1)30(2)	R76I13470(1)30(2)
250	180	0.22	6.0	15.0	26.5	22.5	250	13 E4	76IN3220(1)00(2)	R76IN3220(1)00(2)
250	180	0.27	6.0	15.0	26.5	22.5	250	13 E4	76IN3270(1)30(2)	R76IN3270(1)30(2)
250	180	0.33	6.0	15.0	26.5	22.5	250	13 E4	76IN3330(1)30(2)	R76IN3330(1)30(2)
250	180	0.39	7.0	16.0	26.5	22.5	250	13 E4	76IN3390(1)30(2)	R76IN3390(1)30(2)
250	180	0.47	7.0	16.0	26.5	22.5	250	13 E4	76IN3470(1)30(2)	R76IN3470(1)30(2)
250	180	0.56	8.5	17.0	26.5	22.5	250	13 E4	76IN3560(1)30(2)	R76IN3560(1)30(2)
250	180	0.68	10.0	18.5	26.5	22.5	250	13 E4	76IN3680(1)30(2)	R76IN3680(1)30(2)
250	180	0.82	10.0	18.5	26.5	22.5	250	13 E4	76IN3820(1)30(2)	R76IN3820(1)30(2)
250	180	1.0	11.0	20.0	26.5	22.5	250	13 E4	76IN4100(1)30(2)	R76IN4100(1)30(2)
250	180	1.2	13.0	22.0	26.5	22.5	250	13 E4	76IN4120(1)30(2)	R76IN4120(1)30(2)
250	180	0.82	9.0	17.0	32.0	27.5	200	10 E4	76IR3820(1)30(2)	R76IR3820(1)30(2)
250	180	1.0	11.0	20.0	32.0	27.5	200	10 E4	76IR4100(1)30(2)	R76IR4100(1)30(2)
250	180	1.2	11.0	20.0	32.0	27.5	200	10 E4	76IR4120(1)40(2)	R76IR4120(1)40(2)
250	180	1.5	13.0	22.0	32.0	27.5	200	10 E4	76IR4150(1)30(2)	R76IR4150(1)30(2)
250	180	1.8	13.0	22.0	32.0	27.5	200	10 E4	76IR4180(1)40(2)	R76IR4180(1)40(2)
250	180	2.2	14.0	28.0	32.0	27.5	200	10 E4	76IR4220(1)40(2)	R76IR4220(1)40(2)
250	180	2.7	18.0	33.0	32.0	27.5	200	10 E4	76IR4270(1)30(2)	R76IR4270(1)30(2)
250	180	3.3	18.0	33.0	32.0	27.5	200	10 E4	76IR4330(1)30(2)	R76IR4330(1)30(2)
250	180	3.9	18.0	33.0	32.0	27.5	200	10 E4	76IR4390(1)30(2)	R76IR4390(1)30(2)
250	180	4.7	22.0	37.0	32.0	27.5	200	10 E4	76IR4470(1)30(2)	R76IR4470(1)30(2)
250	180	5.6	22.0	37.0	32.0	27.5	200	10 E4	76IR4560(1)40(2)	R76IR4560(1)40(2)
250	180	1.2	11.0	22.0	41.5	37.5	100	5 E4	76IW4120(1)30(2)	R76IW4120(1)30(2)
250	180	1.5	11.0	22.0	41.5	37.5	100	5 E4	76IW4150(1)30(2)	R76IW4150(1)30(2)
250	180	1.8	11.0	22.0	41.5	37.5	100	5 E4	76IW4180(1)30(2)	R76IW4180(1)30(2)
250	180	2.2	13.0	24.0	41.5	37.5	100	5 E4	76IW4220(1)30(2)	R76IW4220(1)30(2)
250	180	2.7	13.0	24.0	41.5	37.5	100	5 E4	76IW4270(1)30(2)	R76IW4270(1)30(2)
250	180	3.3	16.0	28.5	41.5	37.5	100	5 E4	76IW4330(1)30(2)	R76IW4330(1)30(2)
VDC	VAC	Cap Value (µF)	B (mm)	H (mm)	L (mm)	Lead Spacing (p)	dV/dt (V/µs)	Max K <sub>0</sub> (V <sup>2</sup> /µs)	New KEMET Part Number	Legacy Part Number

(1) Insert lead and packaging code. See Ordering Options Table for available options.

(2) H = ±2.5% (for C ≥ 0.001 µF only), J = ±5%, K = ±10%.



**Table 1 – Ratings & Part Number Reference cont'd**

VDC	VAC	Cap Value (µF)	Dimensions in mm			Lead Spacing (p)	dV/dt (V/µs)	Max K <sub>0</sub> (V <sup>2</sup> /µs)	New KEMET Part Number	Legacy Part Number
			B	H	L					
250	180	3.9	16.0	28.5	41.5	37.5	100	5 E4	761W4390(1)30(2)	R761W4390(1)30(2)
250	180	4.7	19.0	32.0	41.5	37.5	100	5 E4	761W4470(1)30(2)	R761W4470(1)30(2)
250	180	5.6	19.0	32.0	41.5	37.5	100	5 E4	761W4560(1)30(2)	R761W4560(1)30(2)
250	180	6.8	20.0	40.0	41.5	37.5	100	5 E4	761W4680(1)30(2)	R761W4680(1)30(2)
250	180	8.2	20.0	40.0	41.5	37.5	100	5 E4	761W4820(1)30(2)	R761W4820(1)30(2)
250	180	10.0	24.0	44.0	41.5	37.5	100	5 E4	761W5100(1)30(2)	R761W5100(1)30(2)
250	180	12.0	30.0	45.0	41.5	37.5	100	5 E4	761W5120(1)30(2)	R761W5120(1)30(2)
250	180	15.0	30.0	45.0	41.5	37.5	100	5 E4	761W5150(1)30(2)	R761W5150(1)30(2)
400	250	0.0027	3.0	8.0	10.0	7.5	1700	136 E4	76MD1270(1)30(2)	R76MD1270(1)30(2)
400	250	0.0033	3.0	8.0	10.0	7.5	1700	136 E4	76MD1330(1)30(2)	R76MD1330(1)30(2)
400	250	0.0039	3.0	8.0	10.0	7.5	1700	136 E4	76MD1390(1)30(2)	R76MD1390(1)30(2)
400	250	0.0047	3.0	8.0	10.0	7.5	1700	136 E4	76MD1470(1)30(2)	R76MD1470(1)30(2)
400	250	0.0056	3.0	8.0	10.0	7.5	1700	136 E4	76MD1560(1)30(2)	R76MD1560(1)30(2)
400	250	0.0068	4.0	9.0	10.0	7.5	1700	136 E4	76MD1680(1)40(2)	R76MD1680(1)40(2)
400	250	0.0082	4.0	9.0	10.0	7.5	1700	136 E4	76MD1820(1)40(2)	R76MD1820(1)40(2)
400	250	0.010	4.0	9.0	10.0	7.5	1700	136 E4	76MD2100(1)40(2)	R76MD2100(1)40(2)
400	250	0.012	4.0	9.0	10.0	7.5	1700	136 E4	76MD2120(1)40(2)	R76MD2120(1)40(2)
400	250	0.015	5.0	10.5	10.0	7.5	1700	136 E4	76MD2150(1)40(2)	R76MD2150(1)40(2)
400	250	0.018	5.0	10.5	10.0	7.5	1700	136 E4	76MD2180(1)40(2)	R76MD2180(1)40(2)
400	250	0.022	6.0	12.0	10.5	7.5	1700	136 E4	76MD2220(1)30(2)	R76MD2220(1)30(2)
400	250	0.027	6.0	12.0	10.5	7.5	1700	136 E4	76MD2270(1)30(2)	R76MD2270(1)30(2)
400	250	0.010	4.0	9.0	13.0	10.0	1500	120 E4	76MF2100(1)00(2)	R76MF2100(1)00(2)
400	250	0.012	4.0	9.0	13.0	10.0	1500	120 E4	76MF2120(1)00(2)	R76MF2120(1)00(2)
400	250	0.015	4.0	9.0	13.0	10.0	1500	120 E4	76MF2150(1)30(2)	R76MF2150(1)30(2)
400	250	0.018	4.0	9.0	13.0	10.0	1500	120 E4	76MF2180(1)30(2)	R76MF2180(1)30(2)
400	250	0.022	4.0	9.0	13.0	10.0	1500	120 E4	76MF2220(1)30(2)	R76MF2220(1)30(2)
400	250	0.027	5.0	11.0	13.0	10.0	1500	120 E4	76MF2270(1)30(2)	R76MF2270(1)30(2)
400	250	0.033	5.0	11.0	13.0	10.0	1500	120 E4	76MF2330(1)30(2)	R76MF2330(1)30(2)
400	250	0.039	6.0	12.0	13.0	10.0	1500	120 E4	76MF2390(1)30(2)	R76MF2390(1)30(2)
400	250	0.047	6.0	12.0	13.0	10.0	1500	120 E4	76MF2470(1)30(2)	R76MF2470(1)30(2)
400	250	0.033	5.0	11.0	18.0	15.0	900	72 E4	76MI2330(1)00(2)	R76MI2330(1)00(2)
400	250	0.039	5.0	11.0	18.0	15.0	900	72 E4	76MI2390(1)30(2)	R76MI2390(1)30(2)
400	250	0.047	5.0	11.0	18.0	15.0	900	72 E4	76MI2470(1)30(2)	R76MI2470(1)30(2)
400	250	0.056	5.0	11.0	18.0	15.0	900	72 E4	76MI2560(1)30(2)	R76MI2560(1)30(2)
400	250	0.068	6.0	12.0	18.0	15.0	900	72 E4	76MI2680(1)30(2)	R76MI2680(1)30(2)
400	250	0.082	6.0	12.0	18.0	15.0	900	72 E4	76MI2820(1)30(2)	R76MI2820(1)30(2)
400	250	0.10	7.5	13.5	18.0	15.0	900	72 E4	76MI3100(1)30(2)	R76MI3100(1)30(2)
400	250	0.10	9.0	12.5	18.0	15.0	900	72 E4	76MI3100(1)70(2)	R76MI3100(1)70(2)
400	250	0.12	7.5	13.5	18.0	15.0	900	72 E4	76MI3120(1)30(2)	R76MI3120(1)30(2)
400	250	0.12	9.0	12.5	18.0	15.0	900	72 E4	76MI3120(1)70(2)	R76MI3120(1)70(2)
400	250	0.15	8.5	14.5	18.0	15.0	900	72 E4	76MI3150(1)30(2)	R76MI3150(1)30(2)
400	250	0.15	13.0	12.0	18.0	15.0	900	72 E4	76MI3150(1)70(2)	R76MI3150(1)70(2)
400	250	0.18	10.0	16.0	18.0	15.0	900	72 E4	76MI3180(1)30(2)	R76MI3180(1)30(2)
400	250	0.18	13.0	12.0	18.0	15.0	900	72 E4	76MI3180(1)70(2)	R76MI3180(1)70(2)
400	250	0.22	10.0	16.0	18.0	15.0	900	72 E4	76MI3220(1)30(2)	R76MI3220(1)30(2)
400	250	0.27	11.0	19.0	18.0	15.0	900	72 E4	76MI3270(1)30(2)	R76MI3270(1)30(2)
400	250	0.12	6.0	15.0	26.5	22.5	500	40 E4	76MN3120(1)30(2)	R76MN3120(1)30(2)
400	250	0.15	6.0	15.0	26.5	22.5	500	40 E4	76MN3150(1)30(2)	R76MN3150(1)30(2)
400	250	0.18	6.0	15.0	26.5	22.5	500	40 E4	76MN3180(1)30(2)	R76MN3180(1)30(2)
400	250	0.22	7.0	16.0	26.5	22.5	500	40 E4	76MN3220(1)30(2)	R76MN3220(1)30(2)
400	250	0.27	8.5	17.0	26.5	22.5	500	40 E4	76MN3270(1)30(2)	R76MN3270(1)30(2)
400	250	0.33	8.5	17.0	26.5	22.5	500	40 E4	76MN3330(1)30(2)	R76MN3330(1)30(2)
400	250	0.39	10.0	18.5	26.5	22.5	500	40 E4	76MN3390(1)30(2)	R76MN3390(1)30(2)
400	250	0.47	10.0	18.5	26.5	22.5	500	40 E4	76MN3470(1)30(2)	R76MN3470(1)30(2)
400	250	0.56	11.0	20.0	26.5	22.5	500	40 E4	76MN3560(1)30(2)	R76MN3560(1)30(2)
400	250	0.68	13.0	22.0	26.5	22.5	500	40 E4	76MN3680(1)30(2)	R76MN3680(1)30(2)
400	250	0.39	9.0	17.0	32.0	27.5	300	24 E4	76MR3390(1)30(2)	R76MR3390(1)30(2)
400	250	0.47	9.0	17.0	32.0	27.5	300	24 E4	76MR3470(1)30(2)	R76MR3470(1)30(2)
400	250	0.56	11.0	20.0	32.0	27.5	300	24 E4	76MR3560(1)30(2)	R76MR3560(1)30(2)
400	250	0.68	11.0	20.0	32.0	27.5	300	24 E4	76MR3680(1)30(2)	R76MR3680(1)30(2)
VDC	VAC	Cap Value (µF)	B (mm)	H (mm)	L (mm)	Lead Spacing (p)	dV/dt (V/µs)	Max K <sub>0</sub> (V <sup>2</sup> /µs)	New KEMET Part Number	Legacy Part Number

(1) Insert lead and packaging code. See Ordering Options Table for available options.

(2) H = ±2.5% (for C ≥ 0.001 µF only), J = ±5%, K = ±10%.

**Table 1 – Ratings & Part Number Reference cont'd**

VDC	VAC	Cap Value (µF)	Dimensions in mm			Lead Spacing (p)	dV/dt (V/µs)	Max K <sub>0</sub> (V <sup>2</sup> /µs)	New KEMET Part Number	Legacy Part Number
			B	H	L					
400	250	0.82	13.0	22.0	32.0	27.5	300	24 E4	76MR3820(1)30(2)	R76MR3820(1)30(2)
400	250	1.0	13.0	22.0	32.0	27.5	300	24 E4	76MR4100(1)40(2)	R76MR4100(1)40(2)
400	250	1.2	14.0	28.0	32.0	27.5	300	24 E4	76MR4120(1)40(2)	R76MR4120(1)40(2)
400	250	1.5	18.0	33.0	32.0	27.5	300	24 E4	76MR4150(1)30(2)	R76MR4150(1)30(2)
400	250	1.8	18.0	33.0	32.0	27.5	300	24 E4	76MR4180(1)30(2)	R76MR4180(1)30(2)
400	250	2.2	22.0	37.0	32.0	27.5	300	24 E4	76MR4220(1)30(2)	R76MR4220(1)30(2)
400	250	2.7	22.0	37.0	32.0	27.5	300	24 E4	76MR4270(1)30(2)	R76MR4270(1)30(2)
400	250	1.0	11.0	22.0	41.5	37.5	180	14 E4	76MW4100(1)30(2)	R76MW4100(1)30(2)
400	250	1.2	13.0	24.0	41.5	37.5	180	14 E4	76MW4120(1)30(2)	R76MW4120(1)30(2)
400	250	1.5	13.0	24.0	41.5	37.5	180	14 E4	76MW4150(1)30(2)	R76MW4150(1)30(2)
400	250	1.8	16.0	28.5	41.5	37.5	180	14 E4	76MW4180(1)30(2)	R76MW4180(1)30(2)
400	250	2.2	19.0	32.0	41.5	37.5	180	14 E4	76MW4220(1)30(2)	R76MW4220(1)30(2)
400	250	2.7	19.0	32.0	41.5	37.5	180	14 E4	76MW4270(1)30(2)	R76MW4270(1)30(2)
400	250	3.3	19.0	32.0	41.5	37.5	180	14 E4	76MW4330(1)30(2)	R76MW4330(1)30(2)
400	250	3.9	20.0	40.0	41.5	37.5	180	14 E4	76MW4390(1)30(2)	R76MW4390(1)30(2)
400	250	4.7	20.0	40.0	41.5	37.5	180	14 E4	76MW4470(1)30(2)	R76MW4470(1)30(2)
400	250	5.6	24.0	44.0	41.5	37.5	180	14 E4	76MW4560(1)30(2)	R76MW4560(1)30(2)
400	250	6.8	30.0	45.0	41.5	37.5	180	14 E4	76MW4680(1)30(2)	R76MW4680(1)30(2)
400	250	8.2	30.0	45.0	41.5	37.5	180	14 E4	76MW4820(1)30(2)	R76MW4820(1)30(2)
630	250	0.00068	3.0	8.0	10.0	7.5	2800	353 E4	76PD0680(1)00(2)	R76PD0680(1)00(2)
630	250	0.00082	3.0	8.0	10.0	7.5	2800	353 E4	76PD0820(1)00(2)	R76PD0820(1)00(2)
630	250	0.001	3.0	8.0	10.0	7.5	2800	353 E4	76PD1100(1)00(2)	R76PD1100(1)00(2)
630	250	0.0012	3.0	8.0	10.0	7.5	2800	353 E4	76PD1120(1)00(2)	R76PD1120(1)00(2)
630	250	0.0015	3.0	8.0	10.0	7.5	2800	353 E4	76PD1150(1)00(2)	R76PD1150(1)00(2)
630	250	0.0018	3.0	8.0	10.0	7.5	2800	353 E4	76PD1180(1)00(2)	R76PD1180(1)00(2)
630	250	0.0022	3.0	8.0	10.0	7.5	2800	353 E4	76PD1220(1)00(2)	R76PD1220(1)00(2)
630	250	0.0027	4.0	9.0	10.0	7.5	2800	353 E4	76PD1270(1)40(2)	R76PD1270(1)40(2)
630	250	0.0033	4.0	9.0	10.0	7.5	2800	355 E4	76PD1330(1)40(2)	R76PD1330(1)40(2)
630	250	0.0039	4.0	9.0	10.0	7.5	2800	353 E4	76PD1390(1)40(2)	R76PD1390(1)40(2)
630	250	0.0047	4.0	9.0	10.0	7.5	2800	353 E4	76PD1470(1)40(2)	R76PD1470(1)40(2)
630	250	0.0056	4.0	9.0	10.0	7.5	2800	353 E4	76PD1560(1)40(2)	R76PD1560(1)40(2)
630	250	0.0068	5.0	10.5	10.0	7.5	2800	353 E4	76PD1680(1)40(2)	R76PD1680(1)40(2)
630	250	0.0082	5.0	10.5	10.0	7.5	2800	353 E4	76PD1820(1)40(2)	R76PD1820(1)40(2)
630	250	0.010	6.0	12.0	10.5	7.5	2800	353 E4	76PD2100(1)30(2)	R76PD2100(1)30(2)
630	250	0.012	6.0	12.0	10.5	7.5	2800	353 E4	76PD2120(1)30(2)	R76PD2120(1)30(2)
630	400	0.0039	4.0	9.0	13.0	10.0	3000	378 E4	76PF1390(1)00(2)	R76PF1390(1)00(2)
630	400	0.0047	4.0	9.0	13.0	10.0	3000	378 E4	76PF1470(1)00(2)	R76PF1470(1)00(2)
630	400	0.0056	4.0	9.0	13.0	10.0	3000	378 E4	76PF1560(1)00(2)	R76PF1560(1)00(2)
630	400	0.0068	4.0	9.0	13.0	10.0	3000	378 E4	76PF1680(1)00(2)	R76PF1680(1)00(2)
630	400	0.0082	4.0	9.0	13.0	10.0	3000	378 E4	76PF1820(1)00(2)	R76PF1820(1)00(2)
630	400	0.010	5.0	11.0	13.0	10.0	3000	378 E4	76PF2100(1)30(2)	R76PF2100(1)30(2)
630	400	0.012	5.0	11.0	13.0	10.0	3000	378 E4	76PF2120(1)30(2)	R76PF2120(1)30(2)
630	400	0.015	6.0	12.0	13.0	10.0	3000	378 E4	76PF2150(1)30(2)	R76PF2150(1)30(2)
630	400	0.018	6.0	12.0	13.0	10.0	3000	378 E4	76PF2180(1)30(2)	R76PF2180(1)30(2)
630	400	0.012	5.0	11.0	18.0	15.0	2500	315 E4	76PI2120(1)00(2)	R76PI2120(1)00(2)
630	400	0.015	5.0	11.0	18.0	15.0	2500	315 E4	76PI2150(1)00(2)	R76PI2150(1)00(2)
630	400	0.018	5.0	11.0	18.0	15.0	2500	315 E4	76PI2180(1)00(2)	R76PI2180(1)00(2)
630	400	0.022	5.0	11.0	18.0	15.0	2500	315 E4	76PI2220(1)30(2)	R76PI2220(1)30(2)
630	400	0.027	5.0	11.0	18.0	15.0	2500	315 E4	76PI2270(1)30(2)	R76PI2270(1)30(2)
630	400	0.033	6.0	12.0	18.0	15.0	2500	315 E4	76PI2330(1)30(2)	R76PI2330(1)30(2)
630	400	0.039	6.0	12.0	18.0	15.0	2500	315 E4	76PI2390(1)30(2)	R76PI2390(1)30(2)
630	400	0.047	7.5	13.5	18.0	15.0	2500	315 E4	76PI2470(1)30(2)	R76PI2470(1)30(2)
630	400	0.047	9.0	12.5	18.0	15.0	2500	315 E4	76PI2470(1)70(2)	R76PI2470(1)70(2)
630	400	0.056	7.5	13.5	18.0	15.0	2500	315 E4	76PI2560(1)30(2)	R76PI2560(1)30(2)
630	400	0.056	9.0	12.5	18.0	15.0	2500	315 E4	76PI2560(1)70(2)	R76PI2560(1)70(2)
630	400	0.068	8.5	14.5	18.0	15.0	2500	315 E4	76PI2680(1)30(2)	R76PI2680(1)30(2)
630	400	0.068	9.0	12.5	18.0	15.0	2500	315 E4	76PI2680(1)70(2)	R76PI2680(1)70(2)
630	400	0.082	8.5	14.5	18.0	15.0	2500	315 E4	76PI2820(1)30(2)	R76PI2820(1)30(2)
630	400	0.082	13.0	12.0	18.0	15.0	2500	315 E4	76PI2820(1)70(2)	R76PI2820(1)70(2)
630	400	0.10	10.0	16.0	18.0	15.0	2500	315 E4	76PI3100(1)30(2)	R76PI3100(1)30(2)
VDC	VAC	Cap Value (µF)	B (mm)	H (mm)	L (mm)	Lead Spacing (p)	dV/dt (V/µs)	Max K <sub>0</sub> (V <sup>2</sup> /µs)	New KEMET Part Number	Legacy Part Number

(1) Insert lead and packaging code. See Ordering Options Table for available options.

(2) H = ±2.5% (for C ≥ 0.001 µF only), J = ±5%, K = ±10%.

**Table 1 – Ratings & Part Number Reference cont'd**

VDC	VAC	Cap Value (µF)	Dimensions in mm			Lead Spacing (p)	dV/dt (V/µs)	Max K <sub>0</sub> (V <sup>2</sup> /µs)	New KEMET Part Number	Legacy Part Number
			B	H	L					
630	400	0.12	11.0	19.0	18.0	15.0	2500	315 E4	76PI3120(1)30(2)	R76PI3120(1)30(2)
630	400	0.047	6.0	15.0	26.5	22.5	1500	189 E4	76PN2470(1)00(2)	R76PN2470(1)00(2)
630	400	0.056	6.0	15.0	26.5	22.5	1500	189 E4	76PN2560(1)00(2)	R76PN2560(1)00(2)
630	400	0.068	6.0	15.0	26.5	22.5	1500	189 E4	76PN2680(1)00(2)	R76PN2680(1)00(2)
630	400	0.082	6.0	15.0	26.5	22.5	1500	189 E4	76PN2820(1)30(2)	R76PN2820(1)30(2)
630	400	0.10	6.0	15.0	26.5	22.5	1500	189 E4	76PN3100(1)30(2)	R76PN3100(1)30(2)
630	400	0.12	7.0	16.0	26.5	22.5	1500	189 E4	76PN3120(1)30(2)	R76PN3120(1)30(2)
630	400	0.15	8.5	17.0	26.5	22.5	1500	189 E4	76PN3150(1)30(2)	R76PN3150(1)30(2)
630	400	0.18	8.5	17.0	26.5	22.5	1500	189 E4	76PN3180(1)30(2)	R76PN3180(1)30(2)
630	400	0.22	10.0	18.5	26.5	22.5	1500	189 E4	76PN3220(1)30(2)	R76PN3220(1)30(2)
630	400	0.27	11.0	20.0	26.5	22.5	1500	189 E4	76PN3270(1)30(2)	R76PN3270(1)30(2)
630	400	0.33	11.0	20.0	26.5	22.5	1500	189 E4	76PN3330(1)30(2)	R76PN3330(1)30(2)
630	400	0.39	13.0	22.0	26.5	22.5	1500	189 E4	76PN3390(1)30(2)	R76PN3390(1)30(2)
630	400	0.15	9.0	17.0	32.0	27.5	900	113 E4	76PR3150(1)30(2)	R76PR3150(1)30(2)
630	400	0.18	9.0	17.0	32.0	27.5	900	113 E4	76PR3180(1)30(2)	R76PR3180(1)30(2)
630	400	0.22	9.0	17.0	32.0	27.5	900	113 E4	76PR3220(1)30(2)	R76PR3220(1)30(2)
630	400	0.27	9.0	17.0	32.0	27.5	900	113 E4	76PR3270(1)30(2)	R76PR3270(1)30(2)
630	400	0.33	11.0	20.0	32.0	27.5	900	113 E4	76PR3330(1)40(2)	R76PR3330(1)40(2)
630	400	0.39	11.0	20.0	32.0	27.5	900	113 E4	76PR3390(1)30(2)	R76PR3390(1)30(2)
630	400	0.47	13.0	22.0	32.0	27.5	900	113 E4	76PR3470(1)30(2)	R76PR3470(1)30(2)
630	400	0.56	13.0	22.0	32.0	27.5	900	113 E4	76PR3560(1)30(2)	R76PR3560(1)30(2)
630	400	0.68	13.0	25.0	32.0	27.5	900	113 E4	76PR3680(1)40(2)	R76PR3680(1)40(2)
630	400	0.82	14.0	28.0	32.0	27.5	900	113 E4	76PR3820(1)30(2)	R76PR3820(1)30(2)
630	400	1.0	18.0	33.0	32.0	27.5	900	113 E4	76PR4100(1)30(2)	R76PR4100(1)30(2)
630	400	1.2	18.0	33.0	32.0	27.5	900	113 E4	76PR4120(1)30(2)	R76PR4120(1)30(2)
630	400	1.5	22.0	37.0	32.0	27.5	900	113 E4	76PR4150(1)30(2)	R76PR4150(1)30(2)
630	400	1.8	22.0	37.0	32.0	27.5	900	113 E4	76PR4180(1)30(2)	R76PR4180(1)30(2)
630	400	0.33	11.0	22.0	41.5	37.5	450	56 E4	76PW3330(1)30(2)	R76PW3330(1)30(2)
630	400	0.39	11.0	22.0	41.5	37.5	450	56 E4	76PW3390(1)30(2)	R76PW3390(1)30(2)
630	400	0.47	11.0	22.0	41.5	37.5	450	56 E4	76PW3470(1)30(2)	R76PW3470(1)30(2)
630	400	0.56	11.0	22.0	41.5	37.5	450	56 E4	76PW3560(1)30(2)	R76PW3560(1)30(2)
630	400	0.68	11.0	22.0	41.5	37.5	450	56 E4	76PW3680(1)30(2)	R76PW3680(1)30(2)
630	400	0.82	13.0	24.0	41.5	37.5	450	56 E4	76PW3820(1)30(2)	R76PW3820(1)30(2)
630	400	1.0	16.0	28.5	41.5	37.5	450	56 E4	76PW4100(1)30(2)	R76PW4100(1)30(2)
630	400	1.2	16.0	28.5	41.5	37.5	450	56 E4	76PW4120(1)30(2)	R76PW4120(1)30(2)
630	400	1.5	16.0	28.5	41.5	37.5	450	56 E4	76PW4150(1)30(2)	R76PW4150(1)30(2)
630	400	1.8	19.0	32.0	41.5	37.5	450	56 E4	76PW4180(1)30(2)	R76PW4180(1)30(2)
630	400	2.2	20.0	40.0	41.5	37.5	450	56 E4	76PW4220(1)30(2)	R76PW4220(1)30(2)
630	400	2.7	20.0	40.0	41.5	37.5	450	56 E4	76PW4270(1)30(2)	R76PW4270(1)30(2)
630	400	3.3	24.0	44.0	41.5	37.5	450	56 E4	76PW4330(1)30(2)	R76PW4330(1)30(2)
630	400	3.9	30.0	45.0	41.5	37.5	450	56 E4	76PW4390(1)30(2)	R76PW4390(1)30(2)
630	400	4.7	30.0	45.0	41.5	37.5	450	56 E4	76PW4470(1)30(2)	R76PW4470(1)30(2)
630	400	5.6	30.0	45.0	41.5	37.5	450	56 E4	76PW4560(1)30(2)	R76PW4560(1)30(2)
1000	400	0.00022	3.0	8.0	10.0	7.5	6000	1200 E4	76QD0220(1)00(2)	R76QD0220(1)00(2)
1000	400	0.00027	3.0	8.0	10.0	7.5	6000	1200 E4	76QD0270(1)00(2)	R76QD0270(1)00(2)
1000	400	0.00033	3.0	8.0	10.0	7.5	6000	1200 E4	76QD0330(1)00(2)	R76QD0330(1)00(2)
1000	400	0.00039	3.0	8.0	10.0	7.5	6000	1200 E4	76QD0390(1)00(2)	R76QD0390(1)00(2)
1000	400	0.00047	3.0	8.0	10.0	7.5	6000	1200 E4	76QD0470(1)00(2)	R76QD0470(1)00(2)
1000	400	0.00056	3.0	8.0	10.0	7.5	6000	1200 E4	76QD0560(1)00(2)	R76QD0560(1)00(2)
1000	400	0.00068	4.0	9.0	10.0	7.5	6000	1200 E4	76QD0680(1)40(2)	R76QD0680(1)40(2)
1000	400	0.00082	4.0	9.0	10.0	7.5	6000	1200 E4	76QD0820(1)40(2)	R76QD0820(1)40(2)
1000	400	0.001	4.0	9.0	10.0	7.5	6000	1200 E4	76QD1100(1)40(2)	R76QD1100(1)40(2)
1000	400	0.0012	4.0	9.0	10.0	7.5	6000	1200 E4	76QD1120(1)40(2)	R76QD1120(1)40(2)
1000	400	0.0015	5.0	10.5	10.0	7.5	6000	1200 E4	76QD1150(1)40(2)	R76QD1150(1)40(2)
1000	400	0.0018	5.0	10.5	10.0	7.5	6000	1200 E4	76QD1180(1)40(2)	R76QD1180(1)40(2)
1000	400	0.0022	5.0	10.5	10.0	7.5	6000	1200 E4	76QD1220(1)40(2)	R76QD1220(1)40(2)
1000	400	0.0027	6.0	12.0	10.5	7.5	6000	1200 E4	76QD1270(1)00(2)	R76QD1270(1)00(2)
1000	400	0.0033	6.0	12.0	10.5	7.5	6000	1200 E4	76QD1330(1)00(2)	R76QD1330(1)00(2)
1000	600	0.00047	4.0	9.0	13.0	10.0	4800	960 E4	76QF0470(1)00(2)	R76QF0470(1)00(2)
1000	600	0.00056	4.0	9.0	13.0	10.0	4800	960 E4	76QF0560(1)00(2)	R76QF0560(1)00(2)
VDC	VAC	Cap Value (µF)	B (mm)	H (mm)	L (mm)	Lead Spacing (p)	dV/dt (V/µs)	Max K <sub>0</sub> (V <sup>2</sup> /µs)	New KEMET Part Number	Legacy Part Number

(1) Insert lead and packaging code. See Ordering Options Table for available options.

(2) H = ±2.5% (for C ≥ 0.001 µF only), J = ±5%, K = ±10%.

**Table 1 – Ratings & Part Number Reference cont'd**

VDC	VAC	Cap Value (µF)	Dimensions in mm			Lead Spacing (p)	dV/dt (V/µs)	Max K <sub>0</sub> (V <sup>2</sup> /µs)	New KEMET Part Number	Legacy Part Number
			B	H	L					
1000	600	0.00068	4.0	9.0	13.0	10.0	4800	960 E4	76QF0680(1)00(2)	R76QF0680(1)00(2)
1000	600	0.00082	4.0	9.0	13.0	10.0	4800	960 E4	76QF0820(1)00(2)	R76QF0820(1)00(2)
1000	600	0.001	4.0	9.0	13.0	10.0	4800	960 E4	76QF1100(1)00(2)	R76QF1100(1)00(2)
1000	600	0.0012	4.0	9.0	13.0	10.0	4800	960 E4	76QF1120(1)00(2)	R76QF1120(1)00(2)
1000	600	0.0015	4.0	9.0	13.0	10.0	4800	960 E4	76QF1150(1)00(2)	R76QF1150(1)00(2)
1000	600	0.0018	4.0	9.0	13.0	10.0	4800	960 E4	76QF1180(1)00(2)	R76QF1180(1)00(2)
1000	600	0.0022	4.0	9.0	13.0	10.0	4800	960 E4	76QF1220(1)00(2)	R76QF1220(1)00(2)
1000	600	0.0027	4.0	9.0	13.0	10.0	4800	960 E4	76QF1270(1)00(2)	R76QF1270(1)00(2)
1000	600	0.0033	4.0	9.0	13.0	10.0	4800	960 E4	76QF1330(1)30(2)	R76QF1330(1)30(2)
1000	600	0.0039	5.0	11.0	13.0	10.0	4800	960 E4	76QF1390(1)30(2)	R76QF1390(1)30(2)
1000	600	0.0047	5.0	11.0	13.0	10.0	4800	960 E4	76QF1470(1)30(2)	R76QF1470(1)30(2)
1000	600	0.0056	6.0	12.0	13.0	10.0	4800	960 E4	76QF1560(1)30(2)	R76QF1560(1)30(2)
1000	600	0.0068	6.0	12.0	13.0	10.0	4800	960 E4	76QF1680(1)30(2)	R76QF1680(1)30(2)
1000	600	0.0082	4.0	10.0	18.0	15.0	3300	660 E4	76QI1820(1)40(2)	R76QI1820(1)40(2)
1000	600	0.0082	5.0	11.0	18.0	15.0	3300	660 E4	76QI1820(1)00(2)	R76QI1820(1)00(2)
1000	600	0.010	4.0	10.0	18.0	15.0	3300	660 E4	76QI2100(1)40(2)	R76QI2100(1)40(2)
1000	600	0.010	5.0	11.0	18.0	15.0	3300	660 E4	76QI2100(1)30(2)	R76QI2100(1)30(2)
1000	600	0.012	5.0	11.0	18.0	15.0	3300	660 E4	76QI2120(1)30(2)	R76QI2120(1)30(2)
1000	600	0.015	5.0	11.0	18.0	15.0	3300	660 E4	76QI2150(1)40(2)	R76QI2150(1)40(2)
1000	600	0.018	5.0	11.0	18.0	15.0	3300	660 E4	76QI2180(1)40(2)	R76QI2180(1)40(2)
1000	600	0.022	6.0	12.0	18.0	15.0	3300	660 E4	76QI2220(1)40(2)	R76QI2220(1)40(2)
1000	600	0.022	9.0	12.5	18.0	15.0	3300	660 E4	76QI2220(1)70(2)	R76QI2220(1)70(2)
1000	600	0.027	7.5	13.5	18.0	15.0	3300	660 E4	76QI2270(1)40(2)	R76QI2270(1)40(2)
1000	600	0.027	9.0	12.5	18.0	15.0	3300	660 E4	76QI2270(1)70(2)	R76QI2270(1)70(2)
1000	600	0.033	7.5	13.5	18.0	15.0	3300	660 E4	76QI2330(1)40(2)	R76QI2330(1)40(2)
1000	600	0.033	13.0	12.0	18.0	15.0	3300	660 E4	76QI2330(1)70(2)	R76QI2330(1)70(2)
1000	600	0.039	8.5	14.5	18.0	15.0	3300	660 E4	76QI2390(1)40(2)	R76QI2390(1)40(2)
1000	600	0.047	8.5	14.5	18.0	15.0	3300	660 E4	76QI2470(1)40(2)	R76QI2470(1)40(2)
1000	600	0.027	6.0	15.0	26.5	22.5	2100	420 E4	76QN2270(1)00(2)	R76QN2270(1)00(2)
1000	600	0.033	6.0	15.0	26.5	22.5	2100	420 E4	76QN2330(1)30(2)	R76QN2330(1)30(2)
1000	600	0.039	6.0	15.0	26.5	22.5	2100	420 E4	76QN2390(1)30(2)	R76QN2390(1)30(2)
1000	600	0.047	7.0	16.0	26.5	22.5	2100	420 E4	76QN2470(1)30(2)	R76QN2470(1)30(2)
1000	600	0.056	7.0	16.0	26.5	22.5	2100	420 E4	76QN2560(1)30(2)	R76QN2560(1)30(2)
1000	600	0.068	8.5	17.0	26.5	22.5	2100	420 E4	76QN2680(1)30(2)	R76QN2680(1)30(2)
1000	600	0.082	10.0	18.5	26.5	22.5	2100	420 E4	76QN2820(1)30(2)	R76QN2820(1)30(2)
1000	600	0.10	10.0	18.5	26.5	22.5	2100	420 E4	76QN3100(1)30(2)	R76QN3100(1)30(2)
1000	600	0.12	11.0	20.0	26.5	22.5	2100	420 E4	76QN3120(1)30(2)	R76QN3120(1)30(2)
1000	600	0.15	13.0	22.0	26.5	22.5	2100	420 E4	76QN3150(1)30(2)	R76QN3150(1)30(2)
1000	600	0.10	9.0	17.0	32.0	27.5	1000	200 E4	76QR3100(1)40(2)	R76QR3100(1)40(2)
1000	600	0.12	9.0	17.0	32.0	27.5	1000	200 E4	76QR3120(1)40(2)	R76QR3120(1)40(2)
1000	600	0.15	11.0	20.0	32.0	27.5	1000	200 E4	76QR3150(1)30(2)	R76QR3150(1)30(2)
1000	600	0.18	13.0	22.0	32.0	27.5	1000	200 E4	76QR3180(1)30(2)	R76QR3180(1)30(2)
1000	600	0.22	13.0	22.0	32.0	27.5	1000	200 E4	76QR3220(1)30(2)	R76QR3220(1)30(2)
1000	600	0.27	13.0	25.0	32.0	27.5	1000	200 E4	76QR3270(1)40(2)	R76QR3270(1)40(2)
1000	600	0.33	14.0	28.0	32.0	27.5	1000	200 E4	76QR3330(1)30(2)	R76QR3330(1)30(2)
1000	600	0.39	18.0	33.0	32.0	27.5	1000	200 E4	76QR3390(1)30(2)	R76QR3390(1)30(2)
1000	600	0.47	18.0	33.0	32.0	27.5	1000	200 E4	76QR3470(1)30(2)	R76QR3470(1)30(2)
1000	600	0.56	22.0	37.0	32.0	27.5	1000	200 E4	76QR3560(1)30(2)	R76QR3560(1)30(2)
1000	600	0.68	22.0	37.0	32.0	27.5	1000	200 E4	76QR3680(1)30(2)	R76QR3680(1)30(2)
1000	600	0.18	11.0	22.0	41.5	37.5	500	100 E4	76QW3180(1)30(2)	R76QW3180(1)30(2)
1000	600	0.22	11.0	22.0	41.5	37.5	500	100 E4	76QW3220(1)30(2)	R76QW3220(1)30(2)
1000	600	0.27	13.0	24.0	41.5	37.5	500	100 E4	76QW3270(1)30(2)	R76QW3270(1)30(2)
1000	600	0.33	13.0	24.0	41.5	37.5	500	100 E4	76QW3330(1)30(2)	R76QW3330(1)30(2)
1000	600	0.39	16.0	28.5	41.5	37.5	500	100 E4	76QW3390(1)30(2)	R76QW3390(1)30(2)
1000	600	0.47	16.0	28.5	41.5	37.5	500	100 E4	76QW3470(1)30(2)	R76QW3470(1)30(2)
1000	600	0.56	16.0	28.5	41.5	37.5	500	100 E4	76QW3560(1)30(2)	R76QW3560(1)30(2)
1000	600	0.68	19.0	32.0	41.5	37.5	500	100 E4	76QW3680(1)30(2)	R76QW3680(1)30(2)
1000	600	0.82	20.0	40.0	41.5	37.5	500	100 E4	76QW3820(1)30(2)	R76QW3820(1)30(2)
1000	600	1.0	20.0	40.0	41.5	37.5	500	100 E4	76QW4100(1)30(2)	R76QW4100(1)30(2)
1000	600	1.2	24.0	44.0	41.5	37.5	500	100 E4	76QW4120(1)30(2)	R76QW4120(1)30(2)
VDC	VAC	Cap Value (µF)	B (mm)	H (mm)	L (mm)	Lead Spacing (p)	dV/dt (V/µs)	Max K <sub>0</sub> (V <sup>2</sup> /µs)	New KEMET Part Number	Legacy Part Number

(1) Insert lead and packaging code. See Ordering Options Table for available options.

(2) H = ±2.5% (for C ≥ 0.001 µF only), J = ±5%, K = ±10%.

**Table 1 – Ratings & Part Number Reference cont'd**

VDC	VAC	Cap Value (µF)	Dimensions in mm			Lead Spacing (p)	dV/dt (V/µs)	Max K <sub>0</sub> (V <sup>2</sup> /µs)	New KEMET Part Number	Legacy Part Number
			B	H	L					
1000	600	1.5	24.0	44.0	41.5	37.5	500	100 E4	76QW4150(1)30(2)	R76QW4150(1)30(2)
1000	600	1.8	30.0	45.0	41.5	37.5	500	100 E4	76QW4180(1)30(2)	R76QW4180(1)30(2)
1000	600	2.2	30.0	45.0	41.5	37.5	500	100 E4	76QW4220(1)30(2)	R76QW4220(1)30(2)
1600	650	0.0033	4.0	10.0	18.0	15.0	6000	1900 E4	76T11330(1)40(2)	R76T11330(1)40(2)
1600	650	0.0033	5.0	11.0	18.0	15.0	6000	1900 E4	76T11330(1)30(2)	R76T11330(1)30(2)
1600	650	0.0039	4.0	10.0	18.0	15.0	6000	1900 E4	76T11390(1)40(2)	R76T11390(1)40(2)
1600	650	0.0039	5.0	11.0	18.0	15.0	6000	1900 E4	76T11390(1)30(2)	R76T11390(1)30(2)
1600	650	0.0047	4.0	10.0	18.0	15.0	6000	1900 E4	76T11470(1)40(2)	R76T11470(1)40(2)
1600	650	0.0047	5.0	11.0	18.0	15.0	6000	1900 E4	76T11470(1)30(2)	R76T11470(1)30(2)
1600	650	0.0056	4.0	10.0	18.0	15.0	6000	1900 E4	76T11560(1)40(2)	R76T11560(1)40(2)
1600	650	0.0056	5.0	11.0	18.0	15.0	6000	1900 E4	76T11560(1)30(2)	R76T11560(1)30(2)
1600	650	0.0068	5.0	11.0	18.0	15.0	6000	1900 E4	76T11680(1)30(2)	R76T11680(1)30(2)
1600	650	0.0082	5.0	11.0	18.0	15.0	6000	1900 E4	76T11820(1)40(2)	R76T11820(1)40(2)
1600	650	0.010	5.0	11.0	18.0	15.0	6000	1900 E4	76T12100(1)40(2)	R76T12100(1)40(2)
1600	650	0.012	6.0	12.0	18.0	15.0	6000	1900 E4	76T12120(1)40(2)	R76T12120(1)40(2)
1600	650	0.015	6.0	12.0	18.0	15.0	6000	1900 E4	76T12150(1)40(2)	R76T12150(1)40(2)
1600	650	0.018	7.5	13.5	18.0	15.0	6000	1900 E4	76T12180(1)40(2)	R76T12180(1)40(2)
1600	650	0.018	9.0	12.5	18.0	15.0	6000	1900 E4	76T12180(1)70(2)	R76T12180(1)70(2)
1600	650	0.022	7.5	13.5	18.0	15.0	6000	1900 E4	76T12220(1)40(2)	R76T12220(1)40(2)
1600	650	0.022	13.0	12.0	18.0	15.0	6000	1900 E4	76T12220(1)70(2)	R76T12220(1)70(2)
1600	650	0.027	8.5	14.5	18.0	15.0	6000	1900 E4	76T12270(1)40(2)	R76T12270(1)40(2)
1600	650	0.033	8.5	14.5	18.0	15.0	6000	1900 E4	76T12330(1)40(2)	R76T12330(1)40(2)
1600	650	0.015	6.0	15.0	26.5	22.5	3000	960 E4	76TN2150(1)30(2)	R76TN2150(1)30(2)
1600	650	0.018	6.0	15.0	26.5	22.5	3000	960 E4	76TN2180(1)30(2)	R76TN2180(1)30(2)
1600	650	0.022	6.0	15.0	26.5	22.5	3000	960 E4	76TN2220(1)30(2)	R76TN2220(1)30(2)
1600	650	0.027	6.0	15.0	26.5	22.5	3000	960 E4	76TN2270(1)30(2)	R76TN2270(1)30(2)
1600	650	0.033	6.0	15.0	26.5	22.5	3000	960 E4	76TN2330(1)40(2)	R76TN2330(1)40(2)
1600	650	0.039	7.0	16.0	26.5	22.5	3000	960 E4	76TN2390(1)40(2)	R76TN2390(1)40(2)
1600	650	0.047	7.0	16.0	26.5	22.5	3000	960 E4	76TN2470(1)40(2)	R76TN2470(1)40(2)
1600	650	0.056	8.5	17.0	26.5	22.5	3000	960 E4	76TN2560(1)40(2)	R76TN2560(1)40(2)
1600	650	0.068	10.0	18.5	26.5	22.5	3000	960 E4	76TN2680(1)40(2)	R76TN2680(1)40(2)
1600	650	0.082	10.0	18.5	26.5	22.5	3000	960 E4	76TN2820(1)40(2)	R76TN2820(1)40(2)
1600	650	0.10	11.0	20.0	26.5	22.5	3000	960 E4	76TN3100(1)40(2)	R76TN3100(1)40(2)
1600	650	0.039	9.0	17.0	32.0	27.5	2000	640 E4	76TR2390(1)30(2)	R76TR2390(1)30(2)
1600	650	0.047	9.0	17.0	32.0	27.5	2000	640 E4	76TR2470(1)30(2)	R76TR2470(1)30(2)
1600	650	0.056	9.0	17.0	32.0	27.5	2000	640 E4	76TR2560(1)30(2)	R76TR2560(1)30(2)
1600	650	0.068	9.0	17.0	32.0	27.5	2000	640 E4	76TR2680(1)30(2)	R76TR2680(1)30(2)
1600	650	0.082	11.0	20.0	32.0	27.5	2000	640 E4	76TR2820(1)30(2)	R76TR2820(1)30(2)
1600	650	0.10	11.0	20.0	32.0	27.5	2000	640 E4	76TR3100(1)30(2)	R76TR3100(1)30(2)
1600	650	0.12	13.0	22.0	32.0	27.5	2000	640 E4	76TR3120(1)30(2)	R76TR3120(1)30(2)
1600	650	0.15	13.0	25.0	32.0	27.5	2000	640 E4	76TR3150(1)40(2)	R76TR3150(1)40(2)
1600	650	0.18	14.0	28.0	32.0	27.5	2000	640 E4	76TR3180(1)40(2)	R76TR3180(1)40(2)
1600	650	0.22	18.0	33.0	32.0	27.5	2000	640 E4	76TR3220(1)30(2)	R76TR3220(1)30(2)
1600	650	0.27	18.0	33.0	32.0	27.5	2000	640 E4	76TR3270(1)30(2)	R76TR3270(1)30(2)
1600	650	0.33	18.0	33.0	32.0	27.5	2000	640 E4	76TR3330(1)30(2)	R76TR3330(1)30(2)
1600	650	0.39	22.0	37.0	32.0	27.5	2000	640 E4	76TR3390(1)30(2)	R76TR3390(1)30(2)
1600	650	0.47	22.0	37.0	32.0	27.5	2000	640 E4	76TR3470(1)30(2)	R76TR3470(1)30(2)
1600	650	0.082	11.0	22.0	41.5	37.5	1200	384 E4	76TW2820(1)30(2)	R76TW2820(1)30(2)
1600	650	0.10	11.0	22.0	41.5	37.5	1200	384 E4	76TW3100(1)30(2)	R76TW3100(1)30(2)
1600	650	0.12	11.0	22.0	41.5	37.5	1200	384 E4	76TW3120(1)30(2)	R76TW3120(1)30(2)
1600	650	0.15	11.0	22.0	41.5	37.5	1200	384 E4	76TW3150(1)30(2)	R76TW3150(1)30(2)
1600	650	0.18	13.0	24.0	41.5	37.5	1200	384 E4	76TW3180(1)30(2)	R76TW3180(1)30(2)
1600	650	0.22	13.0	24.0	41.5	37.5	1200	384 E4	76TW3220(1)30(2)	R76TW3220(1)30(2)
1600	650	0.27	13.0	24.0	41.5	37.5	1200	384 E4	76TW3270(1)30(2)	R76TW3270(1)30(2)
1600	650	0.33	16.0	28.5	41.5	37.5	1200	384 E4	76TW3330(1)30(2)	R76TW3330(1)30(2)
1600	650	0.39	16.0	28.5	41.5	37.5	1200	384 E4	76TW3390(1)30(2)	R76TW3390(1)30(2)
1600	650	0.47	19.0	32.0	41.5	37.5	1200	384 E4	76TW3470(1)30(2)	R76TW3470(1)30(2)
1600	650	0.56	20.0	40.0	41.5	37.5	1200	384 E4	76TW3560(1)30(2)	R76TW3560(1)30(2)
1600	650	0.68	20.0	40.0	41.5	37.5	1200	384 E4	76TW3680(1)30(2)	R76TW3680(1)30(2)
1600	650	0.82	24.0	44.0	41.5	37.5	1200	384 E4	76TW3820(1)30(2)	R76TW3820(1)30(2)
VDC	VAC	Cap Value (µF)	B (mm)	H (mm)	L (mm)	Lead Spacing (p)	dV/dt (V/µs)	Max K <sub>0</sub> (V <sup>2</sup> /µs)	New KEMET Part Number	Legacy Part Number

(1) Insert lead and packaging code. See Ordering Options Table for available options.

(2) H = ±2.5% (for C ≥ 0.001 µF only), J = ±5%, K = ±10%.

**Table 1 – Ratings & Part Number Reference cont'd**

VDC	VAC	Cap Value (µF)	Dimensions in mm			Lead Spacing (p)	dV/dt (V/µs)	Max K <sub>0</sub> (V <sup>2</sup> /µs)	New KEMET Part Number	Legacy Part Number
			B	H	L					
1600	650	1.0	24.0	44.0	41.5	37.5	1200	384 E4	76TW4100(1)30(2)	R76TW4100(1)30(2)
1600	650	1.2	30.0	45.0	41.5	37.5	1200	384 E4	76TW4120(1)30(2)	R76TW4120(1)30(2)
2000	700	0.0001	4.0	10.0	18.0	15.0	9500	3800 E4	76UI0100(1)40(2)	R76UI0100(1)40(2)
2000	700	0.00012	4.0	10.0	18.0	15.0	9500	3800 E4	76UI0120(1)40(2)	R76UI0120(1)40(2)
2000	700	0.00015	4.0	10.0	18.0	15.0	9500	3800 E4	76UI0150(1)40(2)	R76UI0150(1)40(2)
2000	700	0.00018	4.0	10.0	18.0	15.0	9500	3800 E4	76UI0180(1)40(2)	R76UI0180(1)40(2)
2000	700	0.00022	4.0	10.0	18.0	15.0	9500	3800 E4	76UI0220(1)40(2)	R76UI0220(1)40(2)
2000	700	0.00022	5.0	11.0	18.0	15.0	9500	3800 E4	76UI0220(1)00(2)	R76UI0220(1)00(2)
2000	700	0.00027	4.0	10.0	18.0	15.0	9500	3800 E4	76UI0270(1)40(2)	R76UI0270(1)40(2)
2000	700	0.00027	5.0	11.0	18.0	15.0	9500	3800 E4	76UI0270(1)00(2)	R76UI0270(1)00(2)
2000	700	0.00033	4.0	10.0	18.0	15.0	9500	3800 E4	76UI0330(1)40(2)	R76UI0330(1)40(2)
2000	700	0.00033	5.0	11.0	18.0	15.0	9500	3800 E4	76UI0330(1)00(2)	R76UI0330(1)00(2)
2000	700	0.00039	4.0	10.0	18.0	15.0	9500	3800 E4	76UI0390(1)40(2)	R76UI0390(1)40(2)
2000	700	0.00039	5.0	11.0	18.0	15.0	9500	3800 E4	76UI0390(1)00(2)	R76UI0390(1)00(2)
2000	700	0.00047	4.0	10.0	18.0	15.0	9500	3800 E4	76UI0470(1)40(2)	R76UI0470(1)40(2)
2000	700	0.00047	5.0	11.0	18.0	15.0	9500	3800 E4	76UI0470(1)00(2)	R76UI0470(1)00(2)
2000	700	0.00056	4.0	10.0	18.0	15.0	9500	3800 E4	76UI0560(1)40(2)	R76UI0560(1)40(2)
2000	700	0.00056	5.0	11.0	18.0	15.0	9500	3800 E4	76UI0560(1)00(2)	R76UI0560(1)00(2)
2000	700	0.00068	4.0	10.0	18.0	15.0	9500	3800 E4	76UI0680(1)40(2)	R76UI0680(1)40(2)
2000	700	0.00068	5.0	11.0	18.0	15.0	9500	3800 E4	76UI0680(1)00(2)	R76UI0680(1)00(2)
2000	700	0.00082	4.0	10.0	18.0	15.0	9500	3800 E4	76UI0820(1)40(2)	R76UI0820(1)40(2)
2000	700	0.00082	5.0	11.0	18.0	15.0	9500	3800 E4	76UI0820(1)00(2)	R76UI0820(1)00(2)
2000	700	0.001	4.0	10.0	18.0	15.0	9500	3800 E4	76UI1100(1)40(2)	R76UI1100(1)40(2)
2000	700	0.001	5.0	11.0	18.0	15.0	9500	3800 E4	76UI1100(1)30(2)	R76UI1100(1)30(2)
2000	700	0.0012	4.0	10.0	18.0	15.0	9500	3800 E4	76UI1120(1)40(2)	R76UI1120(1)40(2)
2000	700	0.0012	5.0	11.0	18.0	15.0	9500	3800 E4	76UI1120(1)30(2)	R76UI1120(1)30(2)
2000	700	0.0015	4.0	10.0	18.0	15.0	9500	3800 E4	76UI1150(1)40(2)	R76UI1150(1)40(2)
2000	700	0.0015	5.0	11.0	18.0	15.0	9500	3800 E4	76UI1150(1)30(2)	R76UI1150(1)30(2)
2000	700	0.0018	4.0	10.0	18.0	15.0	9500	3800 E4	76UI1180(1)40(2)	R76UI1180(1)40(2)
2000	700	0.0018	5.0	11.0	18.0	15.0	9500	3800 E4	76UI1180(1)30(2)	R76UI1180(1)30(2)
2000	700	0.0022	4.0	10.0	18.0	15.0	9500	3800 E4	76UI1220(1)40(2)	R76UI1220(1)40(2)
2000	700	0.0022	5.0	11.0	18.0	15.0	9500	3800 E4	76UI1220(1)30(2)	R76UI1220(1)30(2)
2000	700	0.0027	4.0	10.0	18.0	15.0	9500	3800 E4	76UI1270(1)40(2)	R76UI1270(1)40(2)
2000	700	0.0027	5.0	11.0	18.0	15.0	9500	3800 E4	76UI1270(1)30(2)	R76UI1270(1)30(2)
2000	700	0.0033	5.0	11.0	18.0	15.0	9500	3800 E4	76UI1330(1)40(2)	R76UI1330(1)40(2)
2000	700	0.0039	5.0	11.0	18.0	15.0	9500	3800 E4	76UI1390(1)40(2)	R76UI1390(1)40(2)
2000	700	0.0047	5.0	11.0	18.0	15.0	9500	3800 E4	76UI1470(1)40(2)	R76UI1470(1)40(2)
2000	700	0.0056	6.0	12.0	18.0	15.0	9500	3800 E4	76UI1560(1)40(2)	R76UI1560(1)40(2)
2000	700	0.0068	6.0	12.0	18.0	15.0	9500	3800 E4	76UI1680(1)40(2)	R76UI1680(1)40(2)
2000	700	0.0082	6.0	12.0	18.0	15.0	9500	3800 E4	76UI1820(1)40(2)	R76UI1820(1)40(2)
2000	700	0.010	7.5	13.5	18.0	15.0	9500	3800 E4	76UI2100(1)40(2)	R76UI2100(1)40(2)
2000	700	0.010	13.0	12.0	18.0	15.0	9500	3800 E4	76UI2100(1)70(2)	R76UI2100(1)70(2)
2000	700	0.012	8.5	14.5	18.0	15.0	9500	3800 E4	76UI2120(1)40(2)	R76UI2120(1)40(2)
2000	700	0.015	8.5	14.5	18.0	15.0	9500	3800 E4	76UI2150(1)40(2)	R76UI2150(1)40(2)
2000	700	0.001	6.0	15.0	26.5	22.5	3500	1400 E4	76UN1100(1)00(2)	R76UN1100(1)00(2)
2000	700	0.0012	6.0	15.0	26.5	22.5	3500	1400 E4	76UN1120(1)00(2)	R76UN1120(1)00(2)
2000	700	0.0015	6.0	15.0	26.5	22.5	3500	1400 E4	76UN1150(1)00(2)	R76UN1150(1)00(2)
2000	700	0.0018	6.0	15.0	26.5	22.5	3500	1400 E4	76UN1180(1)00(2)	R76UN1180(1)00(2)
2000	700	0.0022	6.0	15.0	26.5	22.5	3500	1400 E4	76UN1220(1)00(2)	R76UN1220(1)00(2)
2000	700	0.0027	6.0	15.0	26.5	22.5	3500	1400 E4	76UN1270(1)00(2)	R76UN1270(1)00(2)
2000	700	0.0033	6.0	15.0	26.5	22.5	3500	1400 E4	76UN1330(1)00(2)	R76UN1330(1)00(2)
2000	700	0.0039	6.0	15.0	26.5	22.5	3500	1400 E4	76UN1390(1)00(2)	R76UN1390(1)00(2)
2000	700	0.0047	6.0	15.0	26.5	22.5	3500	1400 E4	76UN1470(1)00(2)	R76UN1470(1)00(2)
2000	700	0.0056	6.0	15.0	26.5	22.5	3500	1400 E4	76UN1560(1)00(2)	R76UN1560(1)00(2)
2000	700	0.0068	6.0	15.0	26.5	22.5	3500	1400 E4	76UN1680(1)00(2)	R76UN1680(1)00(2)
2000	700	0.0082	6.0	15.0	26.5	22.5	3500	1400 E4	76UN1820(1)30(2)	R76UN1820(1)30(2)
2000	700	0.010	6.0	15.0	26.5	22.5	3500	1400 E4	76UN2100(1)30(2)	R76UN2100(1)30(2)
2000	700	0.012	6.0	15.0	26.5	22.5	3500	1400 E4	76UN2120(1)30(2)	R76UN2120(1)30(2)
2000	700	0.015	6.0	15.0	26.5	22.5	3500	1400 E4	76UN2150(1)40(2)	R76UN2150(1)40(2)
2000	700	0.018	6.0	15.0	26.5	22.5	3500	1400 E4	76UN2180(1)40(2)	R76UN2180(1)40(2)
VDC	VAC	Cap Value (µF)	B (mm)	H (mm)	L (mm)	Lead Spacing (p)	dV/dt (V/µs)	Max K <sub>0</sub> (V <sup>2</sup> /µs)	New KEMET Part Number	Legacy Part Number

(1) Insert lead and packaging code. See Ordering Options Table for available options.

(2) H = ±2.5% (for C ≥ 0.001 µF only), J = ±5%, K = ±10%.

**Table 1 – Ratings & Part Number Reference cont'd**

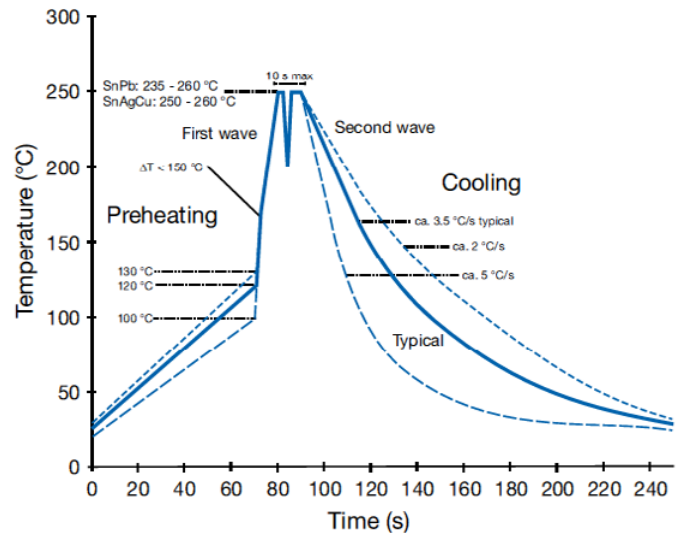
VDC	VAC	Cap Value (µF)	Dimensions in mm			Lead Spacing (p)	dV/dt (V/µs)	Max K <sub>0</sub> (V <sup>2</sup> /µs)	New KEMET Part Number	Legacy Part Number
			B	H	L					
2000	700	0.022	7.0	16.0	26.5	22.5	3500	1400 E4	76UN2220(1)40(2)	R76UN2220(1)40(2)
2000	700	0.027	7.0	16.0	26.5	22.5	3500	1400 E4	76UN2270(1)40(2)	R76UN2270(1)40(2)
2000	700	0.033	8.5	17.0	26.5	22.5	3500	1400 E4	76UN2330(1)40(2)	R76UN2330(1)40(2)
2000	700	0.039	10.0	18.5	26.5	22.5	3500	1400 E4	76UN2390(1)40(2)	R76UN2390(1)40(2)
2000	700	0.047	10.0	18.5	26.5	22.5	3500	1400 E4	76UN2470(1)40(2)	R76UN2470(1)40(2)
2000	700	0.056	11.0	20.0	26.5	22.5	3500	1400 E4	76UN2560(1)40(2)	R76UN2560(1)40(2)
2000	700	0.022	9.0	17.0	32.0	27.5	2300	920 E4	76UR2220(1)30(2)	R76UR2220(1)30(2)
2000	700	0.027	9.0	17.0	32.0	27.5	2300	920 E4	76UR2270(1)30(2)	R76UR2270(1)30(2)
2000	700	0.033	9.0	17.0	32.0	27.5	2300	920 E4	76UR2330(1)30(2)	R76UR2330(1)30(2)
2000	700	0.039	9.0	17.0	32.0	27.5	2300	920 E4	76UR2390(1)40(2)	R76UR2390(1)40(2)
2000	700	0.047	11.0	20.0	32.0	27.5	2300	920 E4	76UR2470(1)30(2)	R76UR2470(1)30(2)
2000	700	0.056	13.0	22.0	32.0	27.5	2300	920 E4	76UR2560(1)30(2)	R76UR2560(1)30(2)
2000	700	0.068	13.0	22.0	32.0	27.5	2300	920 E4	76UR2680(1)30(2)	R76UR2680(1)30(2)
2000	700	0.082	13.0	25.0	32.0	27.5	2300	920 E4	76UR2820(1)40(2)	R76UR2820(1)40(2)
2000	700	0.10	14.0	28.0	32.0	27.5	2300	920 E4	76UR3100(1)30(2)	R76UR3100(1)30(2)
2000	700	0.12	18.0	33.0	32.0	27.5	2300	920 E4	76UR3120(1)30(2)	R76UR3120(1)30(2)
2000	700	0.15	18.0	33.0	32.0	27.5	2300	920 E4	76UR3150(1)30(2)	R76UR3150(1)30(2)
2000	700	0.18	22.0	37.0	32.0	27.5	2300	920 E4	76UR3180(1)30(2)	R76UR3180(1)30(2)
2000	700	0.22	22.0	37.0	32.0	27.5	2300	920 E4	76UR3220(1)30(2)	R76UR3220(1)30(2)
2000	700	0.033	11.0	22.0	41.5	37.5	1500	600 E4	76UW2330(1)30(2)	R76UW2330(1)30(2)
2000	700	0.039	11.0	22.0	41.5	37.5	1500	600 E4	76UW2390(1)30(2)	R76UW2390(1)30(2)
2000	700	0.047	11.0	22.0	41.5	37.5	1500	600 E4	76UW2470(1)30(2)	R76UW2470(1)30(2)
2000	700	0.056	11.0	22.0	41.5	37.5	1500	600 E4	76UW2560(1)30(2)	R76UW2560(1)30(2)
2000	700	0.068	11.0	22.0	41.5	37.5	1500	600 E4	76UW2680(1)30(2)	R76UW2680(1)30(2)
2000	700	0.082	11.0	22.0	41.5	37.5	1500	600 E4	76UW2820(1)30(2)	R76UW2820(1)30(2)
2000	700	0.10	13.0	24.0	41.5	37.5	1500	600 E4	76UW3100(1)30(2)	R76UW3100(1)30(2)
2000	700	0.12	13.0	24.0	41.5	37.5	1500	600 E4	76UW3120(1)30(2)	R76UW3120(1)30(2)
2000	700	0.15	16.0	28.5	41.5	37.5	1500	600 E4	76UW3150(1)30(2)	R76UW3150(1)30(2)
2000	700	0.18	16.0	28.5	41.5	37.5	1500	600 E4	76UW3180(1)30(2)	R76UW3180(1)30(2)
2000	700	0.22	19.0	32.0	41.5	37.5	1500	600 E4	76UW3220(1)30(2)	R76UW3220(1)30(2)
2000	700	0.27	20.0	40.0	41.5	37.5	1500	600 E4	76UW3270(1)30(2)	R76UW3270(1)30(2)
2000	700	0.33	20.0	40.0	41.5	37.5	1500	600 E4	76UW3330(1)30(2)	R76UW3330(1)30(2)
2000	700	0.39	24.0	44.0	41.5	37.5	1500	600 E4	76UW3390(1)30(2)	R76UW3390(1)30(2)
2000	700	0.47	24.0	44.0	41.5	37.5	1500	600 E4	76UW3470(1)30(2)	R76UW3470(1)30(2)
2000	700	0.56	30.0	45.0	41.5	37.5	1500	600 E4	76UW3560(1)30(2)	R76UW3560(1)30(2)
2000	700	0.68	30.0	45.0	41.5	37.5	1500	600 E4	76UW3680(1)30(2)	R76UW3680(1)30(2)
VDC	VAC	Cap Value (µF)	B (mm)	H (mm)	L (mm)	Lead Spacing (p)	dV/dt (V/µs)	Max K <sub>0</sub> (V <sup>2</sup> /µs)	New KEMET Part Number	Legacy Part Number

(1) Insert lead and packaging code. See Ordering Options Table for available options.

(2) H = ±2.5% (for C ≥ 0.001 µF only), J = ±5%, K = ±10%.

## Soldering Process

The implementation of the RoHS Directive has required the selection SnAuCu (SAC) alloys or SnCu alloys as primary solder. This has increased the liquidus temperature from that of 183°C for SnPb eutectic alloy to 217°C – 221°C for the new alloys. As a result, the heat stress to components, even in wave soldering, has increased considerably due to higher pre-heat and wave temperatures. Polypropylene capacitors are especially sensitive to heat (melting point of polypropylene is 160°C – 170°C). Wave soldering can be destructive especially for mechanically small polypropylene capacitors and great care must be taken during soldering. The solder profiles from KEMET are highly recommended. You may also refer to the wave soldering curve from IEC Publication 61760–1 Edition 2. Please consult KEMET with any questions.



## Marking

- KEMET’s logo
- Series
- Dielectric code (MKP)
- Capacitance
- Capacitance tolerance
- Rated DC voltage
- Manufacturing date code

## Packaging Quantities

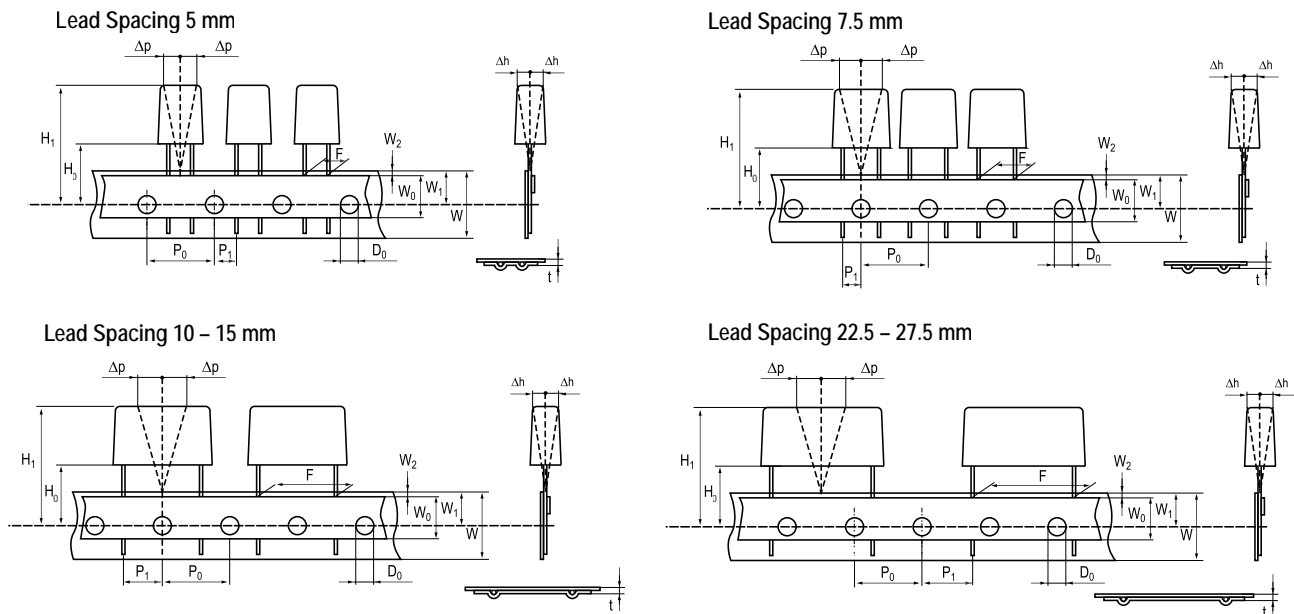
Lead Spacing	Thickness (mm)	Height (mm)	Length (mm)	Bulk Short Leads	Bulk Long Leads	Standard Reel ø 355 mm	Large Reel ø 500 mm	Ammo	Pizza
7.5	3	8	10	1500	1750	2100		2800	
	4	9	10	2000	1500	1500		2100	
	5	10.5	10	1500	1000	1200		1600	
	6	12	10	1000	800	1000		1350	
10	4	9	13	2000	2200	750	1500	1000	
	5	11	13	1300	2000	600	1250	800	
	6	12	13	1000	1800	500	1000	680	



## Packaging Quantities cont'd

Lead Spacing	Thickness (mm)	Height (mm)	Length (mm)	Bulk Short Leads	Bulk Long Leads	Standard Reel ø 355 mm	Large Reel ø 500 mm	Ammo	Pizza
15	4	10	18	2500	1500	750	1500	1000	1411
	5	11	18	1000	1250	600	1250	800	1139
	6	12	18	1750	1000	500	1000	680	935
	7.5	13.5	18	1000	800	350	800	500	748
	6	17.5	18	1000	800	500	1000	680	935
	7.5	14.5	18	1000	750	350	800	500	748
	8.5	14.5	18	1000	650	300	700	440	663
	9	12.5	18	1000	700	270	650	410	629
	7.5	18.5	18	900	600	350	800	500	748
	10	16	18	750	550	300	600	380	561
	13	12	18	750	520	200	480	280	425
11	19	18	450	400	250	500	340	510	
22.5	6	15	26.5	1404	702	300	700	464	660
	7	16	26.5	1188	594	250	550	380	564
	8.5	17	26.5	972	486	250	450	280	468
	10	18.5	26.5	810	405	160	350	235	396
	11	20	26.5	630	378	190	350	217	360
	13	22	26.5	540	324	150	300	200	300
27.5	9	17	32	816	408		450		
	10	20	32	600	360		350		
	11	20	32	560	336		350		
	13	22	32	480	288		300		
	13	25	32	480	288				
	14	28	32	352	176				
	15	24.5	32	400	240				
	18	33	32	256	128				
22	37	32	168	112					

## Lead Taping & Packaging (IEC 60286-2)



## Taping Specification

Dimensions in mm									Standard IEC 60286-2
Lead spacing	+6/-0.1	F	5	7.5	10	15	22.5	27.5	F
Carrier tape width	+1/-0.5	W	18	18	18	18	18	18	18 <sup>+1/-0.5</sup>
Hold-down tape width	Minimum	W <sub>0</sub>	6	6	9	10	10	10	
Position of sprocket hole	+/-0.5	W <sub>1</sub>	9	9	9	9	9	9	9 <sup>+0.75/-0.5</sup>
Distance between tapes	Maximum	W <sub>2</sub>	3	3	3	3	3	3	3
Sprocket hole diameter	+/-0.2	D <sub>0</sub>	4	4	4	4	4	4	4
Feed hole lead spacing	+/-0.2 <sup>(1)</sup>	P <sub>0</sub> <sup>(3)</sup>	12.7	12.7	12.7	12.7	12.7	12.7	12.7
Distance lead – feed hole	+/-0.7	P <sub>1</sub>	3.85	3.75	7.7	5.2	7.8	5.3	P <sup>1</sup>
Deviation tape – plane	Maximum	Δp	1.3	1.3	1.3	1.3	1.3	1.3	1.3
Lateral deviation	+/-2	Δh	2	2	2	2	2	2	2
Total thickness	+/-0.2	t	0.7	0.7	0.7	0.7	0.9 <sup>MAX</sup>	0.9 <sup>MAX</sup>	0.9 <sup>MAX</sup>
Sprocket hole/cap body	+/-0.5	H <sub>0</sub> <sup>(2)</sup>	18.5 <sup>+/-0.5</sup>	18.5 <sup>+/-0.5</sup>	18.5 <sup>+/-0.5</sup>	18.5 <sup>+/-0.5</sup>	18.5 <sup>+/-0.5</sup>	18.5 <sup>+/-0.5</sup>	18 <sup>+2/-0</sup>

(1) Maximum cumulative feed hole error, 1 mm per 20 parts.

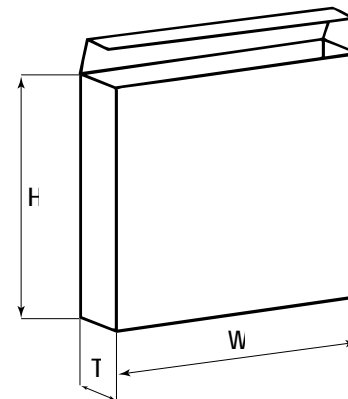
(2) 16.5 mm available on request.

(3) 15 mm available on request (F ≥ 10 mm).

## Lead Taping & Packaging (IEC 60286–2) cont'd

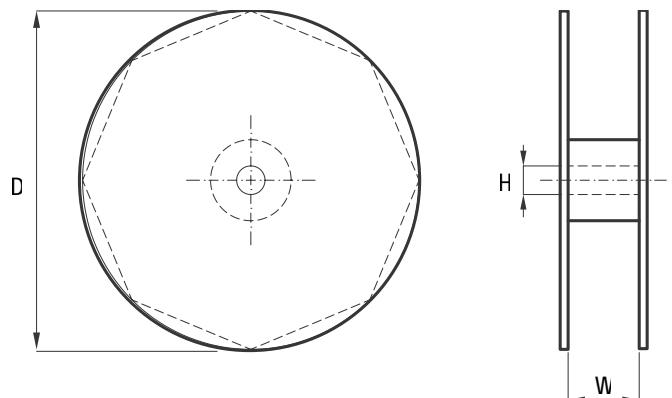
### Ammo Specifications

Series	Dimensions (mm)		
	H	W	T
R4x, R4x+R, R7x, RSB	360	340	59
F5A, F5B, F5D			
F6xx, F8xx			
PHExxx, PMExxx, PMRxxx	330	330	50



### Reel Specifications

Series	Dimensions (mm)		
	D	H	W
R4x, R4x+R, R7x, RSB	355 500	30	55 (Max)
F5A, F5B, F5D		25	
F6xx, F8xx			
PHExxx, PMExxx, PMRxxx	360 500	30	46 (Max)



### Manufacturing Date Code (IEC–60062)

Y = Year, Z = Month			
Year	Code	Month	Code
2000	M	January	1
2001	N	February	2
2002	P	March	3
2003	R	April	4
2004	S	May	5
2005	T	June	6
2006	U	July	7
2007	V	August	8
2008	W	September	9
2009	X	October	O
2010	A	November	N
2011	B	December	D
2012	C		
2013	D		
2014	E		
2015	F		
2016	H		
2017	J		
2018	K		
2019	L		
2020	M		

## KEMET Corporation World Headquarters

2835 KEMET Way  
Simpsonville, SC 29681

Mailing Address:  
P.O. Box 5928  
Greenville, SC 29606

www.kemet.com  
Tel: 864-963-6300  
Fax: 864-963-6521

### Corporate Offices

Fort Lauderdale, FL  
Tel: 954-766-2800

## North America

### Southeast

Lake Mary, FL  
Tel: 407-855-8886

### Northeast

Wilmington, MA  
Tel: 978-658-1663

West Chester, PA  
Tel: 610-692-4642

### Central

Novi, MI  
Tel: 248-994-1030

Carmel, IN  
Tel: 317-706-6742

### West

Milpitas, CA  
Tel: 408-433-9950

### Mexico

Zapopan, Jalisco  
Tel: 52-33-3123-2141

## Europe

### Southern Europe

Geneva, Switzerland  
Tel: 41-22-715-0100

Paris, France  
Tel: 33-1-4646-1009

Sasso Marconi, Italy  
Tel: 39-051-939111

Milan, Italy  
Tel: 39-02-57518176

Rome, Italy  
Tel: 39-06-23231718

Madrid, Spain  
Tel: 34-91-804-4303

### Central Europe

Landsberg, Germany  
Tel: 49-8191-3350800

Dortmund, Germany  
Tel: 49-2307-3619672

Kwidzyn, Poland  
Tel: 48-55-279-7025

### Northern Europe

Bishop's Stortford, United Kingdom  
Tel: 44-1279-757201

Weymouth, United Kingdom  
Tel: 44-1305-830747

Coatbridge, Scotland  
Tel: 44-1236-434455

Färjestaden, Sweden  
Tel: 46-485-563934

Espoo, Finland  
Tel: 358-9-5406-5000

## Asia

### Northeast Asia

Hong Kong  
Tel: 852-2305-1168

Shenzhen, China  
Tel: 86-755-2518-1306

Beijing, China  
Tel: 86-10-5829-1711

Shanghai, China  
Tel: 86-21-6447-0707

Taipei, Taiwan  
Tel: 886-2-27528585

### Southeast Asia

Singapore  
Tel: 65-6586-1900

Penang, Malaysia  
Tel: 60-4-6430200

Bangalore, India  
Tel: 91-806-53-76817

*Note: KEMET reserves the right to modify minor details of internal and external construction at any time in the interest of product improvement. KEMET does not assume any responsibility for infringement that might result from the use of KEMET Capacitors in potential circuit designs. KEMET is a registered trademark of KEMET Electronics Corporation.*

## Other KEMET Resources

Tools	
Resource	Location
Configure A Part: CapEdge	<a href="http://capacitoredge.kemet.com">http://capacitoredge.kemet.com</a>
SPICE & FIT Software	<a href="http://www.kemet.com/spice">http://www.kemet.com/spice</a>
Search Our FAQs: KnowledgeEdge	<a href="http://www.kemet.com/keask">http://www.kemet.com/keask</a>

Product Information	
Resource	Location
Products	<a href="http://www.kemet.com/products">http://www.kemet.com/products</a>
Technical Resources (Including Soldering Techniques)	<a href="http://www.kemet.com/technicalpapers">http://www.kemet.com/technicalpapers</a>
RoHS Statement	<a href="http://www.kemet.com/rohs">http://www.kemet.com/rohs</a>
Quality Documents	<a href="http://www.kemet.com/qualitydocuments">http://www.kemet.com/qualitydocuments</a>

Product Request	
Resource	Location
Sample Request	<a href="http://www.kemet.com/sample">http://www.kemet.com/sample</a>
Engineering Kit Request	<a href="http://www.kemet.com/kits">http://www.kemet.com/kits</a>

Contact	
Resource	Location
Website	<a href="http://www.kemet.com">www.kemet.com</a>
Contact Us	<a href="http://www.kemet.com/contact">http://www.kemet.com/contact</a>
Investor Relations	<a href="http://www.kemet.com/ir">http://www.kemet.com/ir</a>
Call Us	1-877-MyKEMET
Twitter	<a href="http://twitter.com/kemetcapacitors">http://twitter.com/kemetcapacitors</a>

## Disclaimer

All product specifications, statements, information and data (collectively, the "Information") are subject to change without notice.

All Information given herein is believed to be accurate and reliable, but is presented without guarantee, warranty, or responsibility of any kind, expressed or implied.

Statements of suitability for certain applications are based on our knowledge of typical operating conditions for such applications, but are not intended to constitute – and we specifically disclaim – any warranty concerning suitability for a specific customer application or use. This Information is intended for use only by customers who have the requisite experience and capability to determine the correct products for their application. Any technical advice inferred from this Information or otherwise provided by us with reference to the use of our products is given gratis, and we assume no obligation or liability for the advice given or results obtained.

Although we design and manufacture our products to the most stringent quality and safety standards, given the current state of the art, isolated component failures may still occur. Accordingly, customer applications which require a high degree of reliability or safety should employ suitable designs or other safeguards (such as installation of protective circuitry or redundancies) in order to ensure that the failure of an electrical component does not result in a risk of personal injury or property damage.

Although all product-related warnings, cautions and notes must be observed, the customer should not assume that all safety measures are indicated or that other measures may not be required.

