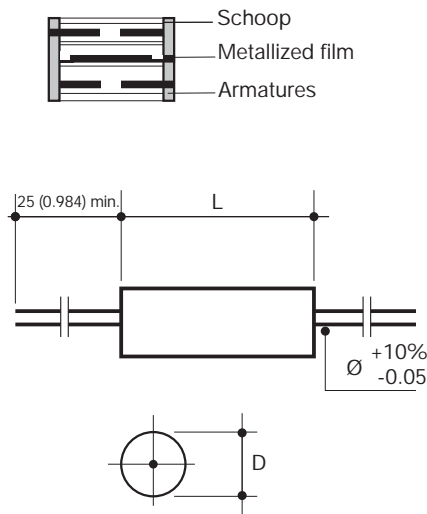


# Metallized Polypropylene S2-Voltage Gradient Film Dielectric Capacitors



## Voltage Gradients According to Voltage and Size

Tension/Voltage		Format Size	Gradient* (du/dt) <sub>R</sub> (V/μs)
V <sub>R-</sub>	V <sub>R-</sub> (eff/rms)		
630V	330V	18	2400
		27	2000
		35	1700
		45	1300
1kF	425V	18	3600
		27	3000
		35	2300
		45	2000
1.6kV	500V	18	7400
		27	6400
		35	4300
		45	3400
2kV	500V	18	10100
		27	10100
		35	6700
		45	3800

Absolute limits which must not be exceeded in rapid discharge under nominal voltage V<sub>R-</sub>

## HOW TO ORDER

**S218 6 K 0103 J --**

① ② ③ ④ ⑤ ⑥

- ① Type and Size
- ② Dielectric Class: Polypropylene
- ③ Voltage: K = 630, M = 1600, L = 1000, N = 2000
- ④ Capacitance Value: 10,000pF
- ⑤ Tolerance
- ⑥ Suffix

\*For nominal rms currents consult AVX.

## Nominal Voltage (V<sub>R</sub>) and Capacitance Values (C<sub>R</sub>) Depending on the Dimensions

Size Code	DIMENSIONS: millimeters (inches)			Range of Capacitances (C <sub>R</sub> min. ... max.)				
	Max L	Max D	Ø +10% -0.05	V <sub>R-</sub> / V <sub>R-</sub>				
				K	L	M	N	
				630/330	1000/425	1600/500	2000/500	
18	20.0 (0.787)	7.5 (0.295)	0.8 (0.031)	2.4nF ~ 4.7nF	910pF ~ 2.2nF	680pF ~ 820pF	100pF ~ 560pF	
	20.0 (0.787)	8.75 (0.344)	0.8 (0.031)	5.1nF ~ 6.8nF	2.7nF ~ 3.6nF	910pF ~ 1.3nF	620pF ~ 910pF	
	20.0 (0.787)	10.0 (0.394)	0.8 (0.031)	7.5nF ~ 10nF	3.9nF ~ 4.7nF	1.5nF ~ 1.8nF	1nF ~ 1.2nF	
	20.0 (0.787)	12.5 (0.492)	0.8 (0.031)	11nF ~ 16nF	5.1nF ~ 8.2nF	2nF ~ 3.3nF	1.3nF ~ 2.2nF	
	20.0 (0.787)	13.75 (0.541)	0.8 (0.031)	18nF ~ 20nF	9.1nF ~ 10nF	3.6nF ~ 3.9nF	2.4nF ~ 3nF	
	20.0 (0.787)	15.0 (0.591)	0.8 (0.031)	22nF ~ 24nF	11nF ~ 12nF	4.3nF ~ 4.7nF	3.30nF	
	29.0 (1.142)	7.5 (0.295)	0.8 (0.031)	7.5nF ~ 15nF	2.7nF ~ 6.8nF	1.6nF ~ 2.4nF	0.62nF ~ 1.5nF	
27	29.0 (1.142)	8.75 (0.344)	0.8 (0.031)	16nF ~ 22nF	7.5nF ~ 10nF	2.7nF ~ 3.6nF	1.6nF ~ 2.4nF	
	29.0 (1.142)	10.0 (0.394)	0.8 (0.031)	24nF ~ 30nF	11nF ~ 15nF	3.9nF ~ 5.1nF	11nF ~ 15nF	
	29.0 (1.142)	12.5 (0.492)	0.8 (0.031)	33nF ~ 51nF	16nF ~ 24nF	5.6nF ~ 9.1nF	2.7nF ~ 3.6nF	
	29.0 (1.142)	15.0 (0.591)	0.8 (0.031)	56nF ~ 75nF	27nF ~ 36nF	9.1nF ~ 13nF	3.9nF ~ 6.2nF	
	29.0 (1.142)	17.5 (0.689)	0.8 (0.031)	82nF ~ 100nF	39nF ~ 51nF	15nF ~ 20nF	10nF ~ 13nF	
	29.0 (1.142)	20.0 (0.787)	0.8 (0.031)	110nF ~ 130nF	56nF ~ 68nF	22nF ~ 27nF	15nF ~ 18nF	
	33.0 (1.300)	10.0 (0.394)	1.0 (0.039)	24nF ~ 47nF	9.1nF ~ 22nF	5.6nF ~ 8.2nF	1nF ~ 5.1nF	
35	33.0 (1.300)	12.5 (0.492)	1.0 (0.039)	51nF ~ 75nF	24nF ~ 39nF	9.1nF ~ 13nF	5.6nF ~ 10nF	
	33.0 (1.300)	15.0 (0.591)	1.0 (0.039)	82nF ~ 120nF	43nF ~ 56nF	15nF ~ 22nF	1.6nF ~ 2.4nF	
	33.0 (1.300)	17.5 (0.689)	1.0 (0.039)	130nF ~ 160nF	62nF ~ 82nF	24nF ~ 30nF	11nF ~ 15nF	
	33.0 (1.300)	20.0 (0.787)	1.0 (0.039)	180nF ~ 220nF	91nF ~ 110nF	33nF ~ 43nF	16nF ~ 22nF	
	33.0 (1.300)	22.5 (0.886)	1.0 (0.039)	240nF ~ 270nF	120nF ~ 130nF	47nF ~ 51nF	24nF ~ 30nF	
	33.0 (1.300)	25.0 (0.984)	1.0 (0.039)	300nF ~ 360nF	150nF ~ 160nF	56nF ~ 62nF	33nF ~ 36nF	
	33.0 (1.300)	27.5 (1.083)	1.0 (0.039)	390nF ~ 430nF	180nF ~ 220nF	68nF ~ 82nF	47nF ~ 51nF	
	33.0 (1.300)	30.0 (1.181)	1.0 (0.039)	470nF ~ 510nF	240nF ~ 280nF	91nF ~ 100nF	51nF ~ 56nF	
	33.0 (1.300)	32.5 (1.280)	1.0 (0.039)	560nF ~ 620nF	300nF	110nF	62nF ~ 68nF	
	33.0 (1.300)	35.0 (1.378)	1.0 (0.039)	680nF	330nF ~ 360nF	120nF ~ 130nF	75nF ~ 82nF	
	33.0 (1.300)	37.5 (1.476)	1.0 (0.039)	750nF ~ 820nF	390nF	150nF ~ 160nF	91nF	
	45.0 (1.772)	12.5 (0.492)	1.0 (0.039)	82nF ~ 110nF	47nF ~ 56nF	16nF ~ 22nF	10nF ~ 15nF	
	45	45.0 (1.772)	15.0 (0.591)	1.0 (0.039)	120nF ~ 180nF	62nF ~ 82nF	24nF ~ 36nF	16nF ~ 24nF
		45.0 (1.772)	17.5 (0.689)	1.0 (0.039)	200nF ~ 240nF	91nF ~ 120nF	39nF ~ 47nF	27nF ~ 33nF
45.0 (1.772)		20.0 (0.787)	1.0 (0.039)	270nF ~ 330nF	130nF ~ 160nF	51nF ~ 62nF	36nF ~ 43nF	
45.0 (1.772)		22.5 (0.886)	1.0 (0.039)	360nF ~ 430nF	180nF ~ 220nF	68nF ~ 82nF	47nF ~ 56nF	
45.0 (1.772)		25.0 (0.984)	1.0 (0.039)	470nF ~ 560nF	240nF ~ 270nF	91nF ~ 110nF	62nF ~ 75nF	
45.0 (1.772)		27.5 (1.083)	1.0 (0.039)	620nF ~ 680nF	300nF ~ 330nF	120nF ~ 130nF	82nF ~ 91nF	
45.0 (1.772)		30.0 (1.181)	1.0 (0.039)	750nF ~ 820nF	360nF ~ 390nF	150nF	100nF ~ 110nF	
45.0 (1.772)		32.5 (1.280)	1.0 (0.039)	910nF	430nF ~ 470nF	160nF ~ 180nF	120nF	
45.0 (1.772)		35.0 (1.378)	1.0 (0.039)	1μF ~ 1.1μF	510nF ~ 560nF	200nF ~ 220nF	130nF ~ 150nF	

Additional information on this product is available from AVX's catalog or AVX's FAX Service.  
Call 1-800-879-1613 and request document #094. Visit our website <http://www.avxcorp.com>

