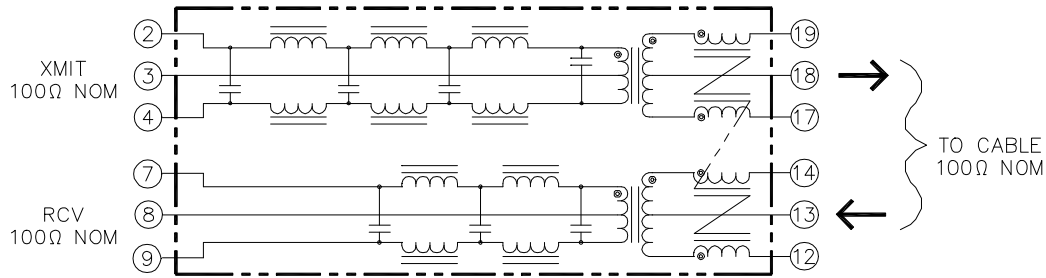


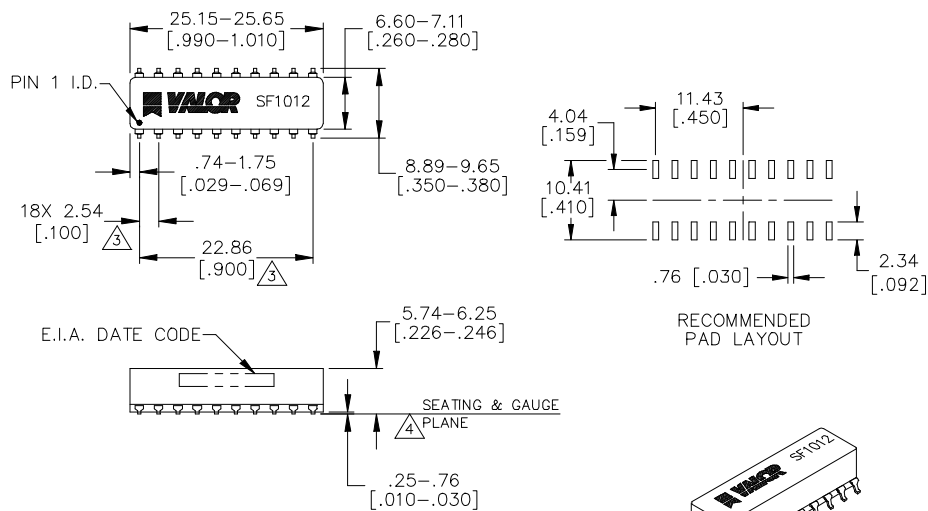
Electrical



ELECTRICAL SPECIFICATIONS @ 25°C

TYPE	TRANSMITTER FILTER: : 7 POLE, BALANCED LOW-PASS, 100Ω	RECEIVER FILTER: : 5 POLE, BALANCED LOW-PASS, 100Ω
*CUT-OFF FREQ	: 17MHz ± 1.0MHz	: 17MHz ± 1.0MHz
INSERTION LOSS (1-10MHz)	: 1.0dB MAX	: 1dB MAX
*ATTENUATION @ 20MHz	: 7dB MIN	: 6dB MIN
@ 25MHz	: 19dB MIN	: 14dB MIN
@ 30MHz	: 30dB MIN	: 20dB MIN
@ 40MHz	: 32dB MIN	: 31dB MIN
HIPOT	: 1500VRMS FOR 1 MINUTE PINS 2,3 & 4 TO 17,18 & 19	: 1500VRMS FOR 1 MINUTE PINS 7,8 & 9 TO 12,13 & 14
COMMON MODE REJECTION (1-100MHz)	: 30dB MIN	: 30dB MIN
RETURN LOSS (5-10MHz)	: 15dB MIN	: 15dB MIN
TRANSMITTER TO RECEIVER CHARACTERISTICS		
CROSS TALK ATTEN (1-10MHz)	: BETWEEN CHANNELS	: 30dB MIN
HIPOT	: 200VRMS FOR 1 MINUTE PINS 2 & 4 TO 7 & 9 17 & 19 TO 12 & 14	
*REFERENCED TO FILTER OUTPUT @ 5.0MHz.		

Mechanical



- △ COPLANARITY: .10 [0.004].
 - △ LEADS WITHIN .13 [0.005] RADIUS OF TRUE POSITION AT GAUGE PLANE WITH MAXIMUM MATERIAL CONDITION AND UNIT INSTALLED.
 - 2. LEAD: SOLDERABILITY PER MIL-STD-202, METHOD 208.
 - △ CASE: BLACK PLASTIC SELF-EXTINGUISHING PER UL94V-0.
- NOTES: UNLESS OTHERWISE SPECIFIED

WEBSITE www.valorinc.com E-MAIL marketing@valorinc.com

NORTH AMERICA
tel 1-800-31 VALOR
fax 619-537-2525

ASIA/PACIFIC
tel +852-2953-1000
fax +852-2953-1333

EUROPE
tel +44-1727-824 875
fax +44-1727-824 898