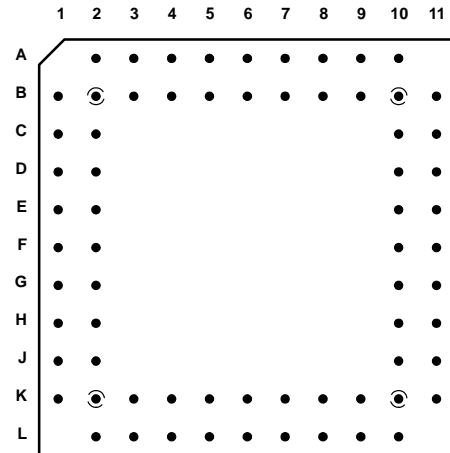


- 100-ns Instruction Cycle Time
- 1568 Words of Configurable On-Chip Data/Program RAM
- 256 Words of On-Chip Program ROM
- 128K Words of Data/Program Space
- Pin-for-Pin Compatible with the SMJ320C25
- 16 Input and 16 Output Channels
- 16-Bit Parallel Interface
- Directly Accessible External Data Memory Space
- Global Data Memory Interface
- 16-Bit Instruction and Data Words
- 32-Bit ALU and Accumulator
- Single-Cycle Multiply/Accumulate Instructions
- 0 to 16-Bit Scaling Shifter
- Bit Manipulation and Logical Instructions
- Instruction Set Support for Floating-Point Operations, Adaptive Filtering, and Extended-Precision Arithmetic
- Block Moves for Data/Program Management
- Repeat Instructions for Efficient Use of Program Space
- Eight Auxiliary Registers and Dedicated Arithmetic Unit for Indirect Addressing
- Serial Port for Direct Codec Interface
- Synchronization Input for Multiprocessor Configurations
- Wait States for Communications to Slow Off-Chip Memories/Peripherals
- On-Chip Timer for Control Operations
- Three External Maskable User Interrupts

**68-PIN GB
PIN GRID ARRAY CERAMIC PACKAGE†
(TOP VIEW)**



† See Pin Assignments Table (Page 2) and Pin Nomenclature Table (Page 3) for location and description of all pins.

- Input Pin Polled by Software Branch Instruction
- Programmable Output Pin for Signalling External Devices
- 1.6- μ m CMOS Technology
- Single 5-V Supply
- Packaging:
 - 68-Pin Leaded Ceramic Chip Carrier (FJ Suffix)
 - 68-Pin Leadless Ceramic Chip Carrier (FD Suffix)
 - 68-Pin Grid Array Ceramic Package (GB Suffix)
- Military Operating Temperature Range . . . – 55° to 125°C

description

The SMJ320C26 Digital Signal Processor is a member of the TMS320 family of VLSI digital signal processors and peripherals. The TMS320 family supports a wide range of digital signal processing applications, such as telecommunications, modems, image processing, speech processing, spectrum analysis, audio processing, digital filtering, high-speed control, graphics, and other computation intensive applications.



Please be aware that an important notice concerning availability, standard warranty, and use in critical applications of Texas Instruments semiconductor products and disclaimers thereto appears at the end of this data sheet.

PRODUCTION DATA information is current as of publication date. Products conform to specifications per the terms of Texas Instruments standard warranty. Production processing does not necessarily include testing of all parameters.



POST OFFICE BOX 1443 • HOUSTON, TEXAS 77251-1443

Copyright © 2001, Texas Instruments Incorporated

SMJ320C26 DIGITAL SIGNAL PROCESSOR

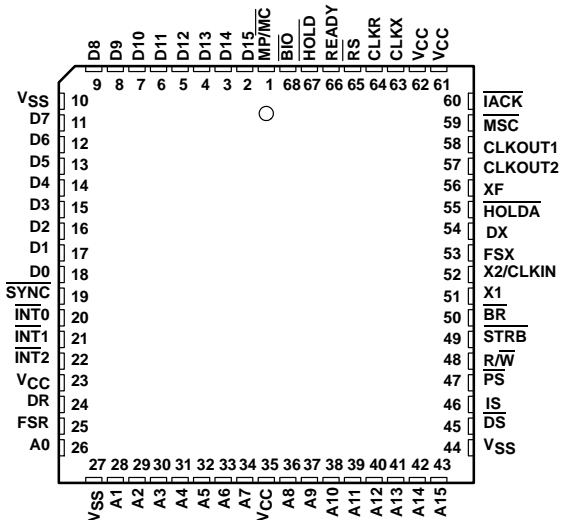
SGUS 016A – AUGUST 1990 – REVISED AUGUST 2001

description

With a 100-ns instruction cycle time and an innovative memory configuration, the SMJ320C26 performs operations necessary for many real time digital signal processing algorithms. Since most instructions require only one cycle, the SMJ320C26 is capable of executing ten million instructions per second. On-chip programmable data/program RAM of 1568 words of 16 bits, on-chip program ROM of 256-words, direct addressing of up to 64K-words of external program and 64K-words of data memory space, and multiprocessor interface features for sharing global memory minimize unnecessary data transfers to take full advantage of the capabilities of the processor.

The SMJ320C26 scaling shifter has a 16-bit input connected to the data bus and a 32-bit output connected to the ALU. The scaling shifter produces a left shift of 0 to 16 bits on the input data, as programmed in the instruction. The LSBs of the output are filled with zeroes, and the MSBs may be either filled with zeroes or sign-extended, depending upon the status programmed into the SXM (sign-extension mode) bit of status register ST1.

68-PIN FJ AND FD LEADED AND LEADLESS CERAMIC CHIP CARRIER PACKAGES† (TOP VIEW)



† See Pin Assignments Table (Page 2) and Pin Nomenclature Table (Page 3) for location and description of all pins.

PGA/LCCC/JLCC PIN ASSIGNMENTS

FUNCTION	PIN	FUNCTION	PIN	FUNCTION	PIN	FUNCTION	PIN	FUNCTION	PIN	FUNCTION	PIN
A0	K1/26	A12	K8/40	D2	E1/16	D14	A5/3	INT2	H1/22	V _{CC}	H2/23
A1	K2/28	A13	L9/41	D3	D2/15	D15	B6/2	IS	J11/46	V _{CC}	L6/35
A2	L3/29	A14	K9/42	D4	D1/14	DR	J1/24	MP/MC	A6/1	V _{SS}	B1/10
A3	K3/30	A15	L10/43	D5	C2/13	DS	K10/45	MSC	C10/59	V _{SS}	K11/44
A4	L4/31	BIO	B7/68	D6	C1/12	DX	E11/54	PS	J10/47	V _{SS}	L2/27
A5	K4/32	BR	G11/50	D7	B2/11	FSR	J2/25	READY	B8/66	XF	D11/56
A6	L5/33	CLKOUT1	C11/58	D8	A2/9	FSX	F10/53	RS	A8/65	X1	G10/51
A7	K5/34	CLKOUT2	D10/57	D9	B3/8	HOLD	A7/67	R/W	H11/48	X2/CLKIN	F11/52
A8	K6/36	CLKR	B9/64	D10	A3/7	HOLDA	E10/55	STRB	H10/49		
A9	L7/37	CLKX	A9/63	D11	B4/6	IACK	B11/60	SYNC	F2/19		
A10	K7/38	D0	F1/18	D12	A4/5	INT0	G1/20	V _{CC}	A10/61		
A11	L8/39	D1	E2/17	D13	B5/4	INT1	G2/21	V _{CC}	B10/62		

PIN NOMENCLATURE

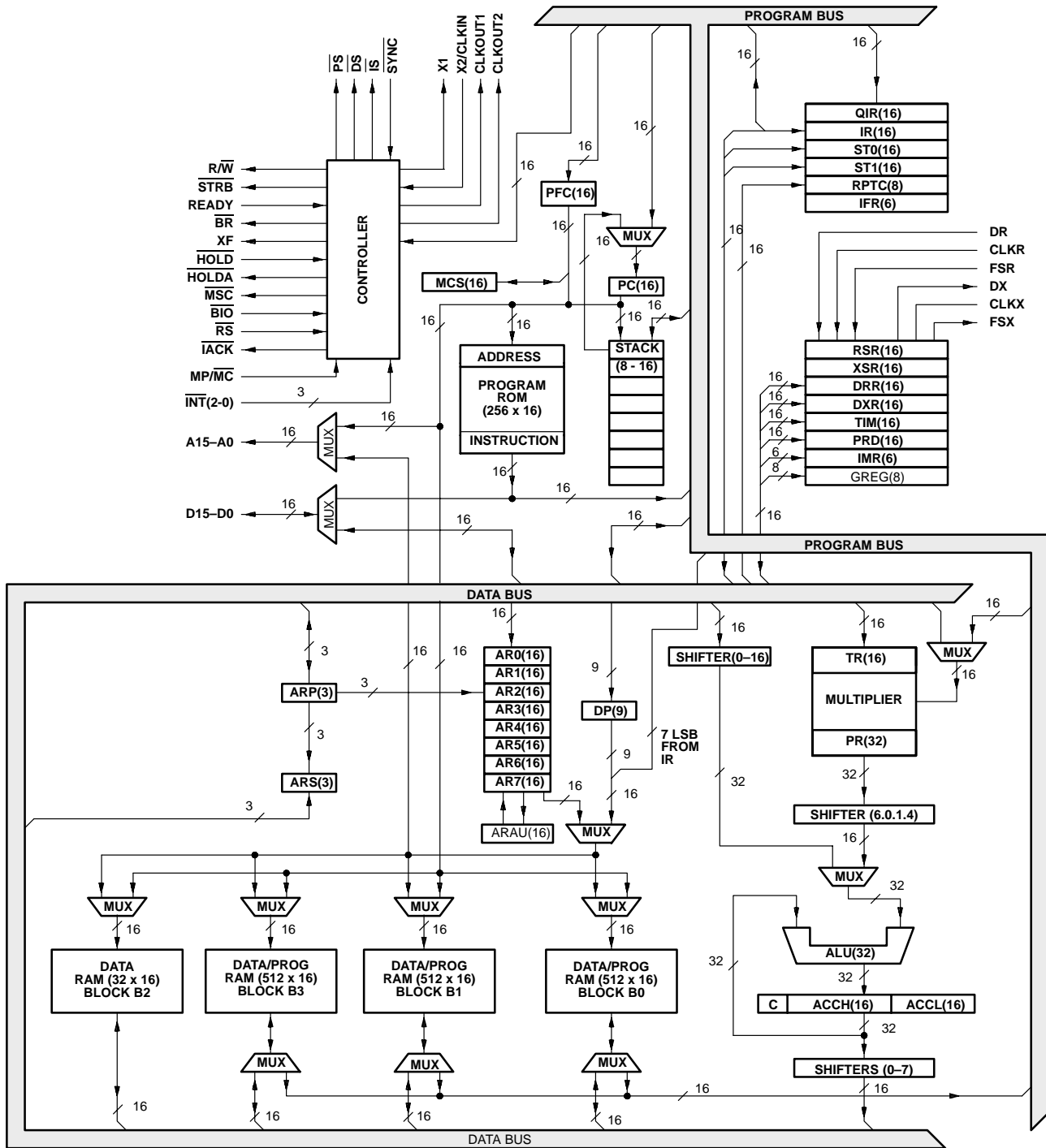
NAME	I/O/Z†	DEFINITION
V _{CC}	I	5-V supply pins.
V _{SS}	I	Ground pins.
X1	O	Output from internal oscillator for crystal.
X2/CLKIN	I	Input to internal oscillator from crystal or external clock.
CLKOUT1	O	Master clock output (crystal or CLKIN frequency/4).
CLKOUT2	O	A second clock output signal.
D15–D0	I/O/Z	16-bit data bus D15 (MSB) through D0 (LSB). Multiplexed between program, data and I/O spaces.
A15–A0	O/Z	16-bit address bus A15 (MSB) through A0 (LSB).
\overline{PS} , \overline{DS} , \overline{IS}	O/Z	Program, data and I/O space select signals.
$\overline{R/W}$	O/Z	Read/write signal.
\overline{STRB}	O/Z	Strobe signal.
\overline{RS}	I	Reset input.
$\overline{INT2}$, $\overline{INT1}$, $\overline{INT0}$	I	External user interrupt inputs.
$\overline{MP/MC}$	I	Microprocessor/microcomputer mode select pin.
\overline{MSC}	O	Microstate complete signal.
\overline{IACK}	O	Interrupt acknowledge signal.
READY	I	Data ready input. Asserted by external logic when using slower devices to indicate that the current bus transaction is complete.
\overline{BR}	O	Bus request signal. Asserted when the SMJ320C26 requires access to an external global data memory space.
XF	O	External flag output (latched software – programmable signal).
\overline{HOLD}	I	Hold input. When asserted, SMJ320C26 goes into an idle mode and places the data address and control lines in the high-impedance state.
\overline{HOLDA}	O	Hold acknowledge signal.
\overline{SYNC}	I	Synchronization input.
\overline{BIO}	I	Branch control input. Polled by BIOZ instruction.
DR	I	Serial data receive input.
CLKR	I	Clock input for serial port receiver.
FSR	I	Frame synchronization pulse for receive input.
DX	O/Z	Serial data transmit output.
CLKX	I	Clock input for serial port transmitter.
FSX	I/O/Z	Frame synchronization pulse for transmit. May be configured as either an input or an output.

† I/O/Z denotes input/output/high-impedance state.

SMJ320C26 DIGITAL SIGNAL PROCESSOR

SGUS 016A – AUGUST 1990 – REVISED AUGUST 2001

functional block diagram



LEGEND:
 ACCH = Accumulator high
 ACCL = Accumulator low
 ALU = Arithmetic logic unit
 ARAU = Auxiliary register arithmetic unit
 ARS = Auxiliary register pointer buffer
 ARP = Auxiliary register pointer
 DP = Data memory page pointer
 DRR = Serial port data receive register
 DXR = Serial port data trademark register

IFR = Interrupt flag register
 IMR = Interrupt mask register
 IR = Instruction register
 MCS = Microcall stack
 QIR = Queue instruction register
 PR = Product register
 PRD = Product register for timer
 TIM = Timer
 TR = Temporary register

PC = Program counter
 PFC = Prefetch counter
 RPTC = Repeat instruction counter
 GREG = Global memory allocation register
 RSR = Serial port receive shift register
 XSR = Serial port to transmit shift register
 AR0-AR7 = Auxiliary registers
 ST0, ST1 = Status registers
 C = Carry bit



architecture

The SMJ320C26 architecture is based on the SMJ320C25 with a different internal RAM and ROM configuration. The SMJ320C26 integrates 256 words of on-chip ROM and 1568 words of on-chip RAM compared to 4K words of on-chip ROM and 544 words of on-chip RAM for the SMJ320C25. The SMJ320C26 is pin for pin compatible with the SMJ320C25.

Increased throughput on the SMJ320C26 for many DSP applications is accomplished by means of single cycle multiply/accumulate instructions with a data move option, eight auxiliary registers with a dedicated arithmetic unit, and faster I/O necessary for data intensive signal processing.

The architectural design of the SMJ320C26 emphasizes overall speed, communication, and flexibility in the processor configuration. Control signals and instructions provide floating point support, block memory transfers, communication to slower off-chip devices, and multiprocessing implementations.

Three large on-chip RAM blocks, configurable either as separate program and data spaces or as three contiguous data blocks, provide increased flexibility in system design. Programs of up to 256 words can be masked into the internal program ROM. The remainder of the 64K-word program memory space is located externally. Large programs can execute at full speed from this memory space. Programs can also be downloaded from slow external memory to high speed on-chip RAM. A data memory address space of 64K words is included to facilitate implementation of DSP algorithms. The VLSI implementation of the SMJ320C26 incorporates all of these features as well as many others, including a hardware timer, serial port, and block data transfer capabilities.

32-bit ALU accumulator

The SMJ320C26 32-bit Arithmetic Logic Unit (ALU) and accumulator perform a wide range of arithmetic and logic instructions, the majority of which execute in a single clock cycle. The ALU executes a variety of branch instructions dependent on the status of the ALU or a single bit in a word. These instructions provide the following capabilities:

- Branch to an address specified by the accumulator.
- Normalize fixed point numbers contained in the accumulator.
- Test a specified bit of a word in data memory.

One input to the ALU is always provided from the accumulator, and the other input may be provided from the Product Register (PR) of the multiplier or the input scaling shifter which has fetched data from the RAM on the data bus. After the ALU has performed the arithmetic or logical operations, the result is stored in the accumulator.

The 32-bit accumulator is split into two 16-bit segments for storage in data memory. Additional shifters at the output of the accumulator perform shifts while the data is being transferred to the data bus for storage. The contents of the accumulator remain unchanged.

scaling shifter

The SMJ320C26 scaling shifter has a 16-bit input connected to the data bus and a 32-bit output connected to the ALU. The scaling shifter produces a left shift of 0 to 16-bits on the input data, as specified in the instruction word. The LSBs of the output are filled with zeroes, and the MSBs may be either filled with zeroes or sign extended, depending upon the value of the SXM (sign extension mode) bit of status register STO.

16 × 16 bit parallel multiplier

The SMJ320C26 has a 16 × 16 bit-hardware multiplier, which is capable of computing a signed or unsigned 32-bit product in a single machine cycle. The multiplier has the following two associated registers:

- A 16-bit Temporary Register (TR) that holds one of the operands for the multiplier, and
- A 32-bit Product Register (PR) that holds the product.

SMJ320C26 DIGITAL SIGNAL PROCESSOR

SGUS 016A – AUGUST 1990 – REVISED AUGUST 2001

16 × 16 bit parallel multiplier (continued)

Incorporated into the SMJ320C26 instruction set are single-cycle multiply/accumulate instructions that allow both operands to be fetched simultaneously. The data for these operations may reside anywhere in internal or external memory, and can be transferred to the multiplier each cycle via the program and data buses.

Four product shift modes are available at the Product Register (PR) output that are useful when performing multiply/accumulate operations, fractional arithmetic, or justifying fractional products.

timer

The SMJ320C26 provides a memory mapped 16-bit timer for control operations. The on-chip timer (TIM) register is a down counter that is continuously clocked by CLKOUT1. A timer interrupt (TINT) is generated every time the timer decrements to zero, provided the timer interrupt is enabled. The timer is reloaded with the value contained in the period (PRD) register within the next cycle after it reaches zero so that interrupts may be programmed to occur at regular intervals of PRD + 1 cycles of CLKOUT1.

memory control

The SMJ320C26 provides a total of 1568 words of 16 bit on-chip RAM, divided into four separate blocks (B0, B1, B2, and B3). Of the 1568 words, 32 words (block B2) are always data memory, and all other blocks are programmable as either data or program memory. A data memory size of 1568 words allows the SMJ320C26 to handle a data array of 1536 words, while still leaving 32 locations for intermediate storage. When using B0, B1, or B3 as program memory, instructions can be downloaded from external memory into on-chip RAM, and then executed.

When using on-chip program RAM, ROM, or high speed external program memory, the SMJ320C26 runs at full speed without wait states. However, the READY line can be used to interface the SMJ320C26 to slower, less expensive external memory. Downloading programs from slow off-chip memory to on-chip program RAM speeds processing and cuts overall system costs.

The SMJ320C26 provides three separate address spaces for program memory, data memory, and I/O. The on-chip memory is mapped into either the data memory or program memory space, depending upon the choice of memory configuration.

The instruction configuration (parameter) is used as follows to configure the blocks B0, B1, and B3 as program or as data memory.

CONFIGURATION	B0	B1	B3
0	Data	Data	Data
1	Program	Data	Data
2	Program	Program	Data
3	Program	Program	Program

Regardless of the configuration, the user may still execute from external program memory.

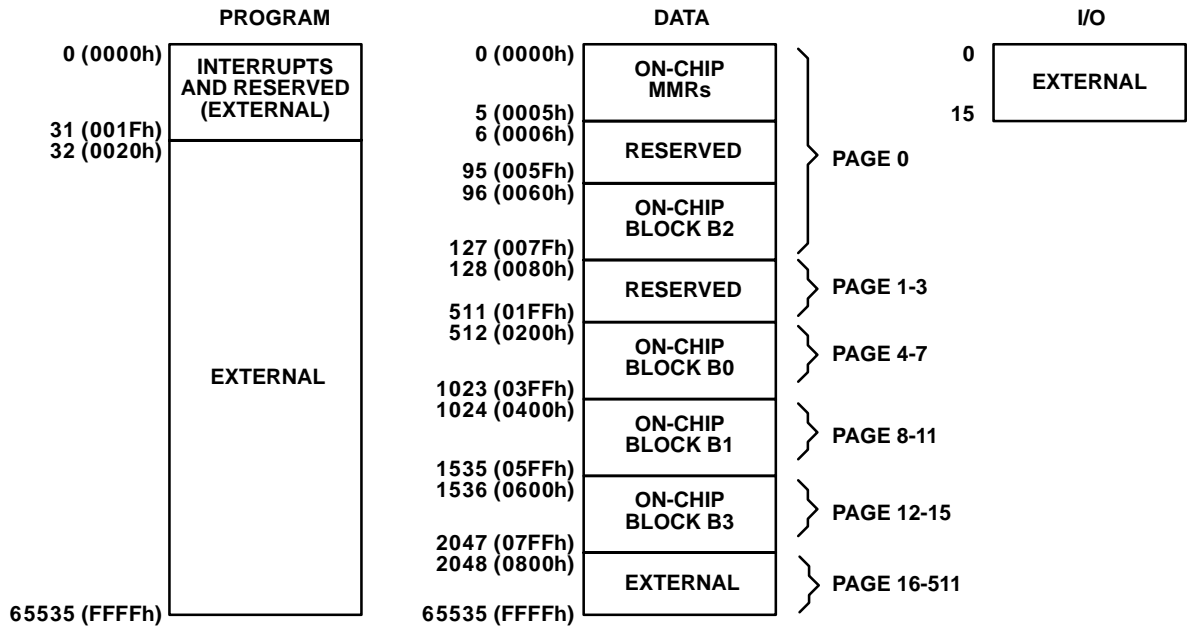
The SMJ320C26 provides a ROM of 256 words. The ROM is sufficient to allow the programming of a bootstrap program and interrupt handler, or to implement self test routines.

The SMJ320C26 has six registers that are mapped into the data memory space at the locations 0–5; a serial port data receive register, serial port data transmit register, timer register, period register, interrupt mask register, and global memory allocation register.



memory control (continued)

MEMORY MAPS AFTER A RESET OR CONF 0
1 MP/MC = 1



2 MP/MC = 0

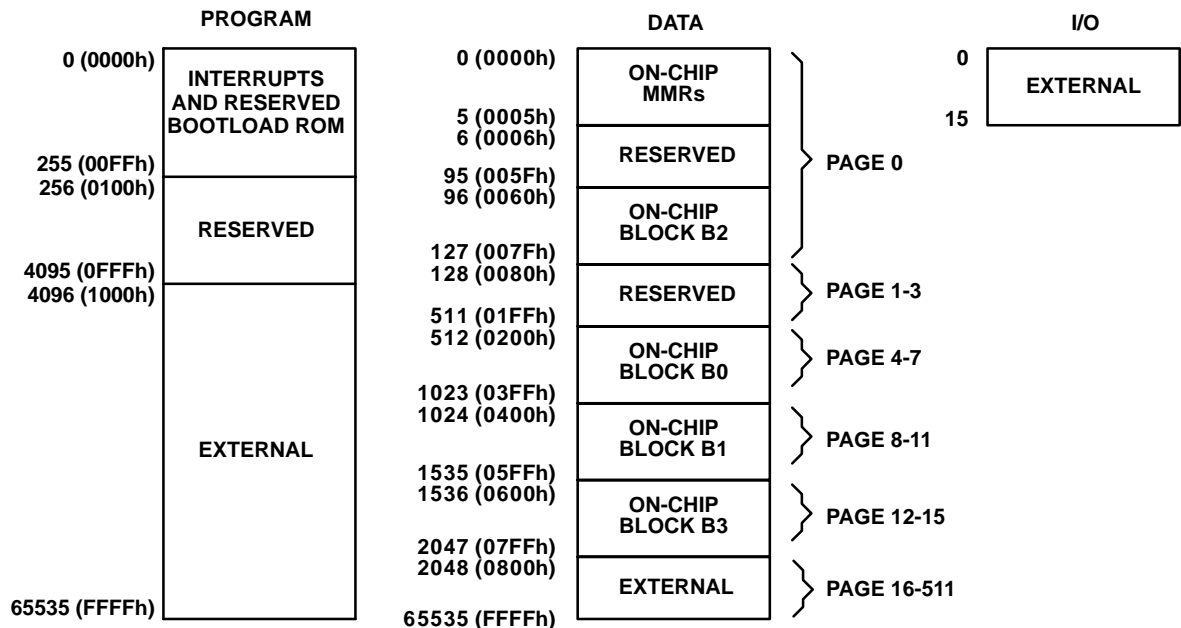


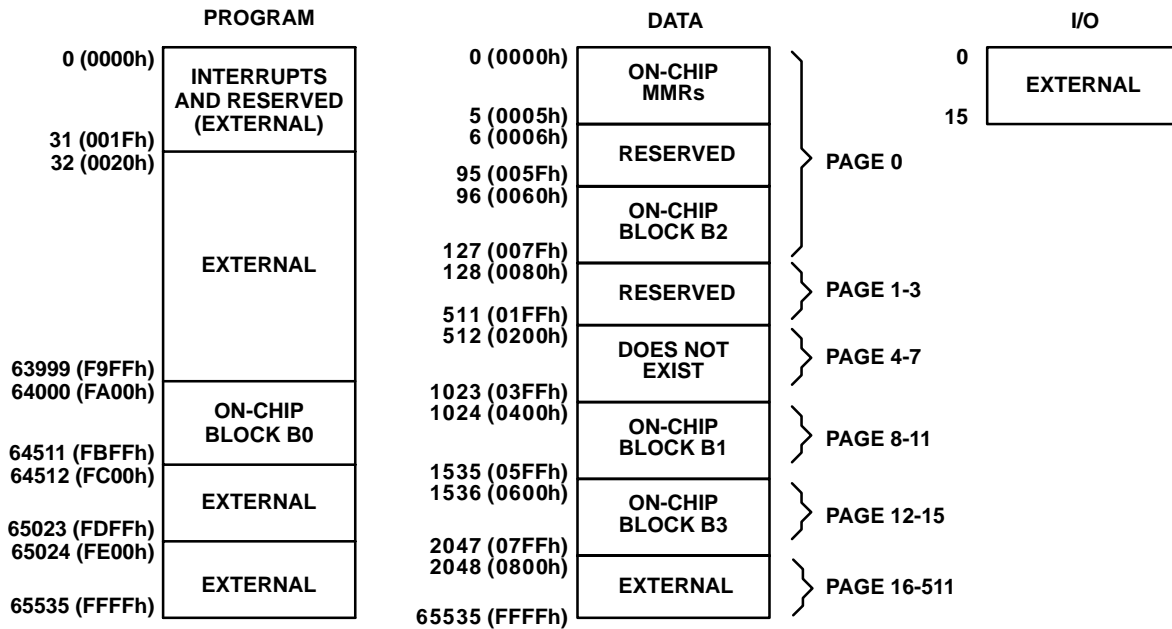
Figure 1A. Memory Maps

SMJ320C26 DIGITAL SIGNAL PROCESSOR

SGUS 016A – AUGUST 1990 – REVISED AUGUST 2001

memory control (continued)

MEMORY MAPS AFTER CONF 1
1 MP/MC = 1



2 MP/MC = 0

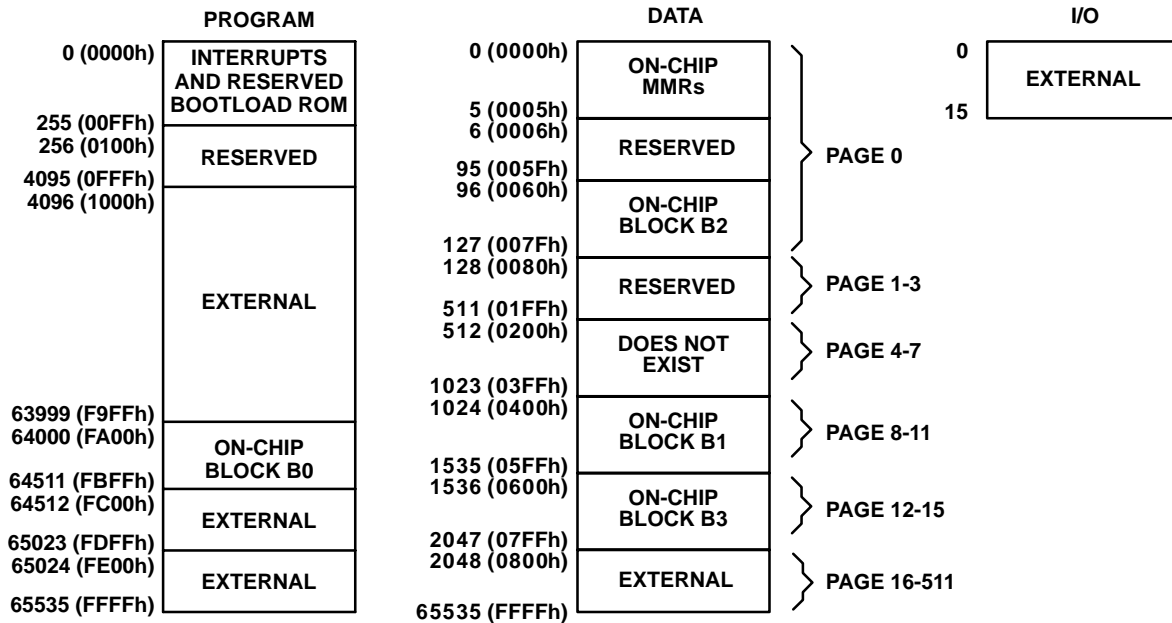
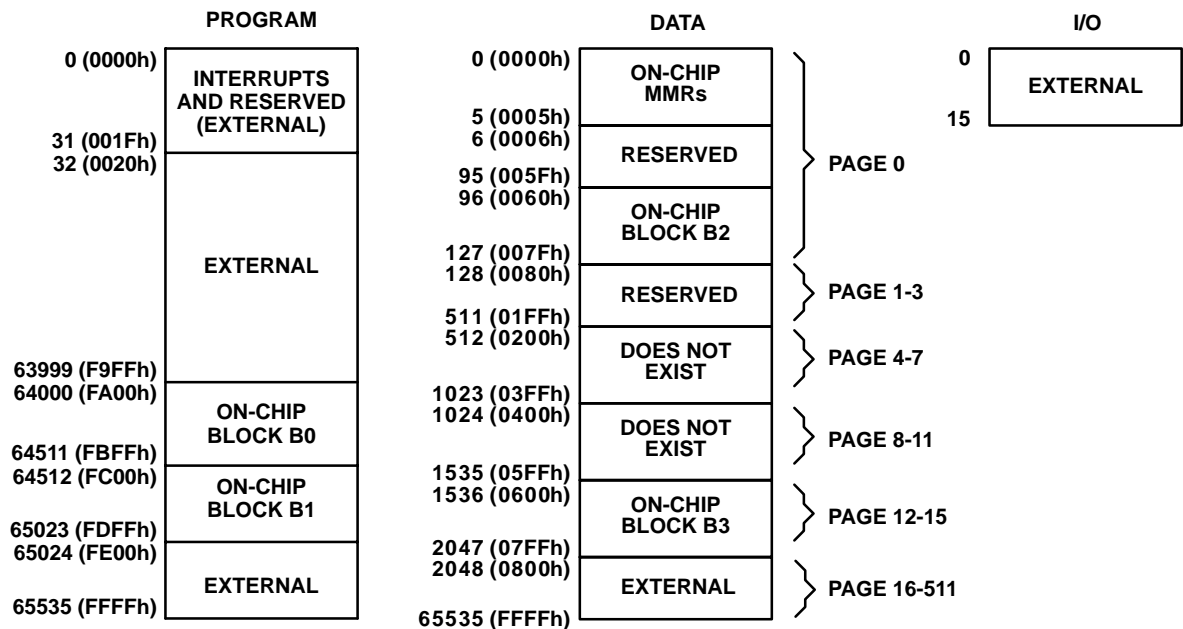


Figure 1B. Memory Maps

memory control (continued)

MEMORY MAPS AFTER CONF 2
1 MP/MC = 1



2 MP/MC = 0

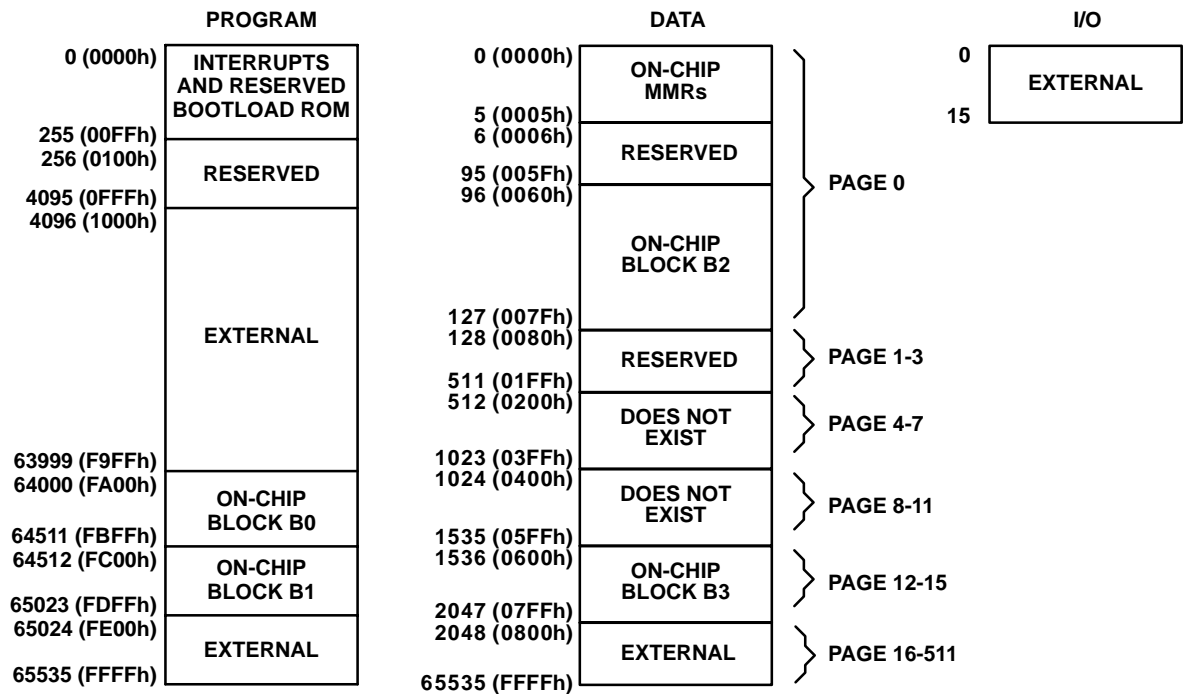


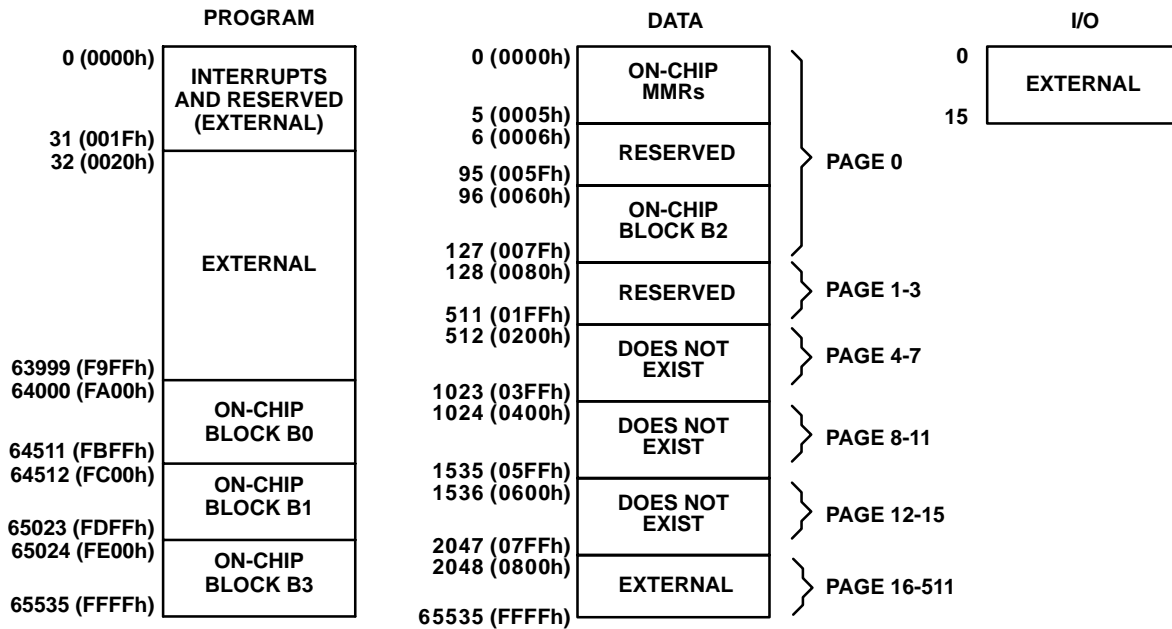
Figure 1C. Memory Maps

SMJ320C26 DIGITAL SIGNAL PROCESSOR

SGUS 016A – AUGUST 1990 – REVISED AUGUST 2001

memory control (continued)

MEMORY MAPS AFTER CONF 3
1 MP/MC = 1



2 MP/MC = 0

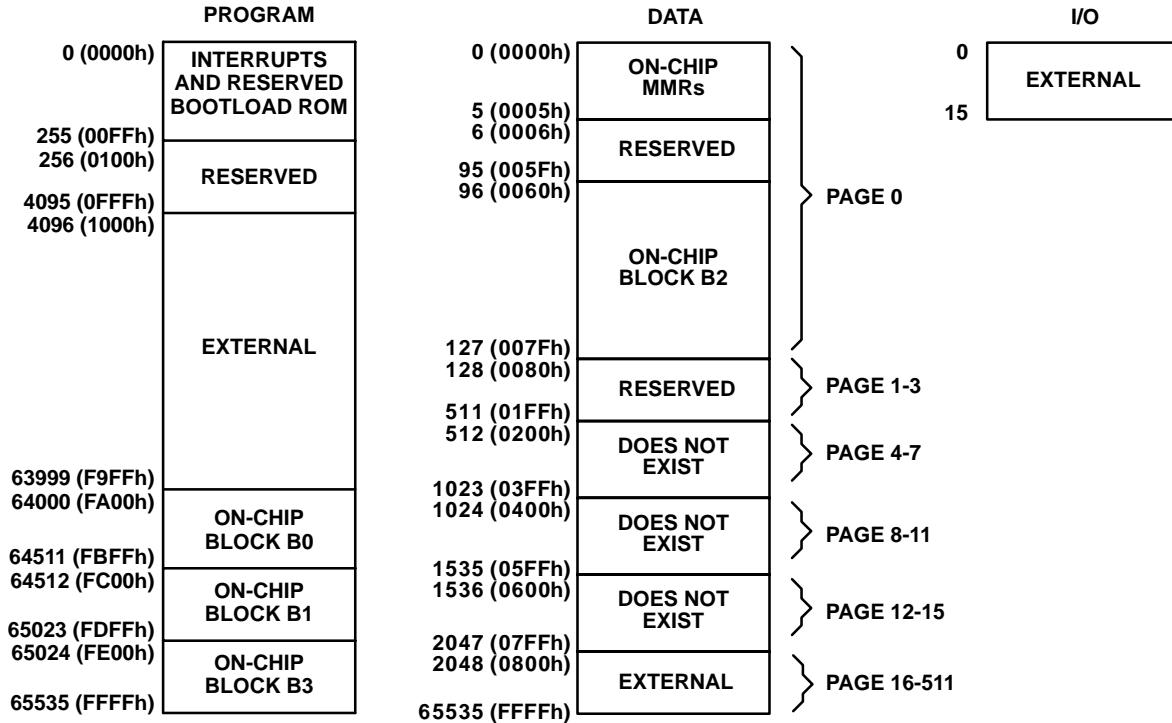


Figure 1D. Memory Maps

interrupts and subroutines

The SMJ320C26 has three external maskable user interrupts $\overline{\text{INT}}2$ – $\overline{\text{INT}}0$, available for external devices that interrupt the processor. Internal interrupts are generated by the serial port (RINT and XINT), by the timer (TINT), and by the software interrupt (TRAP) instruction. Interrupts are prioritized with reset ($\overline{\text{RS}}$) having the highest priority and the serial port transmit interrupt (XINT) having the lowest priority. All interrupt locations are on two-words boundaries so that branch instructions can be accommodated in those locations if desired.

A built in mechanism protects multicycle instructions from interrupts. If an interrupt occurs during a multicycle instruction, the interrupt is not processed until the instruction is completed. This mechanism applies both to instructions that are repeated or become multicycle due to the READY signal.

external interface

The SMJ320C26 supports a wide range of system interfacing requirements. Program, data, and I/O address spaces provide interface to memory and I/O, thus maximizing system throughput. I/O design is simplified by having I/O treated the same way as memory. I/O devices are mapped into the I/O address space using the processor's external address and data busses in the same manner as memory-mapped devices. Interface to memory and I/O devices of varying speeds is accomplished by using the READY line. When transactions are made with slower devices, the SMJ320C26 processor waits until the other device completes its function and signals the processor via the READY line, the SMJ320C26 then continues execution.

A serial port provides communication with serial devices, such as codecs, serial A/D converters, and other serial systems. The interface signals are compatible with codecs and many other serial devices with a minimum of external hardware. The serial port may also be used for intercommunication between processors in multiprocessing applications.

The serial port has two memory mapped registers; the data transmit register (DXR) and the data receive register (DRR). Both registers operate in either the byte mode or 16-bit word mode, and may be accessed in the same manner as any other data memory location. Each register has an external clock, a framing signal, and associated shift registers. One method of multiprocessing may be implemented by programming one device to transmit while the others are in the receive mode.

multiprocessing

The flexibility of the SMJ320C26 allows configurations to satisfy a wide range of system requirements. The SMJ320C26 can be used as follows:

- A standalone processor.
- A multiprocessor with devices in parallel.
- A multiprocessor with global memory space.
- A peripheral processor interfaced via processor controlled signals to another device.

For multiprocessing applications, the SMJ320C26 has the capability of allocating global data memory space and communicating with that space via the $\overline{\text{BR}}$ (bus request) and READY control signals. Global memory is data memory shared by more than one processor. Global data memory access must be arbitrated. The 8-bit memory mapped GREG (global memory allocation register) specifies part of the SMJ320C26's data memory as global external memory. The contents of the register determine the size of the global memory space. If the current instruction addresses a location within that space, $\overline{\text{BR}}$ is asserted to request control of the data bus. The length of the memory cycle is controlled by the READY line.

The SMJ320C26 supports DMA (direct memory access) to its external program/data memory using the $\overline{\text{HOLD}}$ and $\overline{\text{HOLDA}}$ signals. Another processor can take complete control of the SMJ320C26's external memory by asserting $\overline{\text{HOLD}}$ low. This causes the SMJ320C26 to place its address, data, and control lines in a high impedance state, and assert $\overline{\text{HOLDA}}$.

SMJ320C26 DIGITAL SIGNAL PROCESSOR

SGUS 016A – AUGUST 1990 – REVISED AUGUST 2001

addressing modes

The SMJ320C26 instruction set provides three memory addressing modes; direct, indirect, and immediate addressing.

Both direct and indirect addressing can be used to access data memory. In direct addressing, seven bits of the instruction word are concatenated with the nine bits of the data memory page pointer to form the 16-bit data memory address. Indirect addressing accesses data memory through the eight auxiliary registers. In immediate addressing, the data is embedded in the instruction word(s).

In direct addressing, the instruction word contains the lower seven bits of the data memory address. This field is concatenated with the nine bits of the data memory page pointer to form the full 16-bit address. Thus, memory is paged in the direct addressing mode with a total of 512 pages, each page containing 128 words.

Eight auxiliary registers (AR0–AR7) provide flexible and powerful indirect addressing. To select a specific auxiliary register, the Auxiliary Register Pointer (ARP) is loaded with a value from 0 through 7 for AR0 through AR7 respectively.

There are seven types of indirect addressing: auto increment, auto decrement, post indexing by either adding or subtracting the contents of AR0, single indirect addressing with no increment or decrement and bit reversal addressing (used in FFTs) with increment or decrement. All operations are performed on the current auxiliary register in the same cycle as the original instruction, followed by an ARP update.

repeat feature

A repeat feature, used with instructions such as multiply/accumulates, block moves, I/O transfers, and table read/writes, allows a single instruction to be executed up to 256 times. The repeat counter (RPTC) is loaded with either a data memory value (RPT instruction) or an immediate value (RPTK instruction). The value of this operand is one less than the number of times that the next instruction is executed. Those instructions that are normally multicycle are pipelined when using the repeat feature, and effectively become single-cycle instructions.

instruction set

The SMJ320C26 microprocessor implements a comprehensive instruction set that supports both numeric intensive signal processing operations as well as general purpose applications, such as multiprocessing and high speed control.

For maximum throughput, the next instruction is prefetched while the current one is being executed. Since the same data lines are used to communicate to external data/program or I/O space, the number of cycles may vary depending upon whether the next data operand fetch is from internal or external program memory. Highest throughput is achieved by maintaining data memory on-chip and using either internal or fast program memory.

Table 1 lists the symbols and abbreviations used in Table 2, the instruction set summary. Table 2 consists primarily of single-cycle, single-word instructions. Infrequently used branch, I-O, and CALL instructions are multicycle. The instruction set summary is arranged according to function and alphabetized within each functional grouping. The symbol (‡) indicates instructions that are not included in the SMJ320C25 instruction set.



instruction set (continued)

Table 1. Instruction Symbols

SYMBOL	MEANING
B	4-bit field specifying a bit code
CM	2-bit field specifying compare mode
D	Data memory address field
FO	Format status bit
M	Addressing mode bit
K	Immediate operand field
PA	Port address (PA0 through PA 15 are predefined assembler symbols equal to 0 through 15 respectively).
PM	2-bit field specifying P register output shift code
R	3-bit operand field specifying auxiliary register
S	4-bit left-shift code
CNF	Internal RAM configuration bits
X	3-bit accumulator left-shift field

SMJ320C26 DIGITAL SIGNAL PROCESSOR

SGUS 016A – AUGUST 1990 – REVISED AUGUST 2001

instruction set (continued)

Table 2. Instruction Set Summary

ACCUMULATOR MEMORY REFERENCE INSTRUCTIONS																		
MNEMONIC	DESCRIPTION	NO. WORDS	INSTRUCTION BIT CODE															
			15	14	13	12	11	10	9	8	7	6	5	4	3	2	1	0
ABS	Absolute value of accumulator	1	1	1	0	0	1	1	1	0	0	0	0	1	1	0	1	1
ADD	Add to accumulator with shift	1	0	0	0	0	← S →	M	← D →									
ADDC	Add to accumulator with carry	1	0	1	0	0	0	0	1	1	M	← D →						
ADDH	Add to high accumulator	1	0	1	0	0	1	0	0	0	M	← D →						
ADDK	Add to accumulator short immediate	1	1	1	0	0	1	1	0	0		← D →						
ADDS	Add to low accumulator with sign extension suppressed	1	0	1	0	0	1	0	0	1	M	← D →						
ADDT†	Add to accumulator with shift specified by T register	1	0	1	0	0	1	0	1	0	M	← D →						
ADLK†	Add to accumulator long immediate with shift	2	1	1	0	1	← S →	0	0	0	0	0	0	0	0	0	1	0
AND	AND with accumulator	1	0	1	0	0	1	1	1	0	M	← D →						
ANDK†	AND immediate with accumulator with shift	2	1	1	0	1	← S →	0	0	0	0	0	0	1	0	0		
CMPL†	Complement accumulator	1	1	1	0	0	1	1	1	0	0	0	1	0	0	1	1	1
LAC	Load accumulator with shift	1	0	0	1	0	← S →	M	← D →									
LACK	Load accumulator immediate short	1	1	1	0	0	1	0	1	0		← K →						
LACT†	Load accumulator with shift specified by T register	1	0	1	0	0	0	0	1	1	M	← D →						
LALK†	Load accumulator long immediate with shift	2	1	1	0	1	← S →	0	0	0	0	0	0	0	0	0	1	
NEG†	Negate accumulator	1	1	1	0	0	1	1	1	0	0	0	1	0	0	0	1	1
NORM†	Normalize contents of accumulator	1	1	1	0	0	1	1	1	0	M	X	X	X	0	0	1	0
OR	OR with accumulator	1	0	1	0	0	1	1	0	1	M	← D →						
ORK†	OR immediate with accumulator with shift	2	1	1	0	1	← S →	0	0	0	0	0	0	1	0	1		
ROL	Rotate accumulator left	1	1	1	0	0	1	1	1	0	0	0	1	1	0	1	0	0
ROR	Rotate accumulator right	1	1	1	0	0	1	1	1	0	0	0	1	1	0	1	0	1
SACH	Store high accumulator with shift	1	0	1	1	0	1	← X →	M	← D →								
SACL	Store low accumulator with shift	1	0	1	1	0	0	← X →	M	← D →								
SBLK†	Subtract from accumulator long immediate with shift	2	1	1	0	1	← S →	0	0	0	0	0	0	0	1	1		
SFL†	Shift accumulator left	1	1	1	0	0	1	1	1	0	0	0	0	1	1	0	0	0
SFR†	Shift accumulator right	1	1	1	0	0	1	1	1	0	0	0	0	1	1	0	0	1
SUB	Subtract from accumulator with shift	1	0	0	0	1	← S →	M	← D →									
SUBB	Subtract from accumulator with borrow	1	0	1	0	0	1	1	1	1	M	← D →						
SUBC	Conditional subtract	1	0	1	0	0	0	1	1	1	M	← D →						
SUBH	Subtract from high accumulator	1	0	1	0	0	0	1	0	0	M	← D →						
SUBK	Subtract from accumulator short immediate	1	1	1	0	0	1	1	0	1		← K →						
SUBS	Subtract from low accumulator with sign extension suppressed	1	0	1	0	0	0	1	0	1	M	← D →						
SUBT†	Subtract from accumulator with shift specified by T register	1	0	1	0	0	0	1	1	0	M	← D →						
XOR	Exclusive-OR with accumulator	1	0	1	0	0	1	1	0	0	M	← D →						
XORK†	Exclusive-OR immediate with accumulator with shift	2	1	1	0	1	← S →	0	0	0	0	0	0	1	1	0		
ZAC	Zero accumulator	1	1	1	0	0	1	0	1	0	0	0	0	0	0	0	0	0
ZALH	Zero low accumulator and load high accumulator	1	0	1	0	0	0	0	0	0	M	← D →						
ZALR	Zero low accumulator and load high accumulator with rounding	1	0	1	1	1	1	0	1	1	M	← D →						
ZALS	Zero accumulator and load low accumulator with sign extension suppressed	1	0	1	0	0	0	0	0	1	M	← D →						

† These instructions are not included in the SMJ32010 instruction set.



instruction set (continued)

Table 2. Instruction Set Summary (continued)

AUXILIARY REGISTERS AND DATA PAGE POINTER INSTRUCTIONS																					
MNEMONIC	DESCRIPTION	NO. WORDS	INSTRUCTION BIT CODE																		
			15	14	13	12	11	10	9	8	7	6	5	4	3	2	1	0			
ADRK	Add to auxiliary register short immediate	1	0	1	1	1	1	1	1	0	← D →										
CMPRT†	Compare auxiliary register with auxiliary register AR0	1	1	1	0	0	1	1	1	0	0	1	0	1	0	0	← CM →				
LAR	Load auxiliary register	1	0	0	1	1	0	← R →		M	← K →										
LARK	Load auxiliary register short immediate	1	1	1	0	0	0	← R →		← K →											
LARP	Load auxiliary register pointer	1	0	1	0	1	0	1	0	1	M	0	0	0	1	← R →					
LDP	Load data memory page pointer	1	0	1	0	1	0	0	1	0	← M →										
LDPK	Load data memory page pointer immediate	1	1	1	0	0	1	0	0	← D →											
LRLKT†	Load auxiliary register long immediate	2	1	1	0	1	0	← R →		0	0	0	0	0	0	0	0				
MAR	Modify auxiliary register	1	0	1	0	1	0	1	0	1	M	← DP →									
SAR	Store auxiliary register	1	0	1	1	1	0	← R →		M	← D →										
SBRK	Subtract from auxiliary register short immediate	1	0	1	1	1	1	1	1	1	← K →										
T REGISTER, P REGISTER, AND MULTIPLY INSTRUCTIONS																					
MNEMONIC	DESCRIPTION	NO. WORDS	INSTRUCTION BIT CODE																		
			15	14	13	12	11	10	9	8	7	6	5	4	3	2	1	0			
APAC	Add P register to accumulator	1	1	1	0	0	1	1	1	0	0	0	0	1	0	1	0	1			
LPH†	Load high P register	1	0	1	0	1	0	0	1	1	← M →		← D →								
LT	Load T register	1	0	0	1	1	1	1	0	0	← M →		← D →								
LTA	Load T register and accumulator previous product	1	0	0	1	1	1	1	0	1	← M →		← D →								
LTD	Load T register, accumulate previous product, and move data	1	0	0	1	1	1	1	1	1	← M →		← D →								
LTP†	Load T register and store P register in accumulator	1	0	0	1	1	1	1	1	0	← M →		← D →								
LTS†	Load T register and subtract previous product	1	0	1	0	1	1	0	1	1	← M →		← D →								
MAC†	Multiply and accumulate	2	0	1	0	1	1	1	0	1	← M →		← D →								
MACD†	Multiply and accumulate with data move	2	0	1	0	1	1	1	0	0	← M →		← D →								
MPY	Multiply (with T register, store product in P register)	1	0	0	1	1	1	0	0	0	← M →		← D →								
MPYA	Multiply and accumulate previous product	1	0	0	1	1	1	0	1	0	← M →		← D →								
MPYK	Multiply immediate	1	1	0	1	← K →															
MPYS	Multiply and subtract previous product	1	0	0	1	1	1	0	1	1	← M →		← D →								
MPYU	Multiply unsigned	1	1	1	0	0	1	1	1	1	← M →		← D →								
PAC	Load accumulator with P register	1	1	1	0	0	1	1	1	0	0	0	0	0	1	0	1	0			
SPAC	Subtract P register from accumulator	1	1	1	0	0	1	1	1	0	0	0	0	0	1	0	1	1			
SPH	Store high P register	1	0	1	1	1	1	1	0	1	← M →		← D →								
SPL	Store low P register	1	0	1	1	1	1	1	0	0	← M →		← D →								
SPM†	Set P register output shift mode	1	1	1	0	0	1	1	1	0	0	0	0	0	0	1	0	← PM →			
SQRA†	Square and accumulate	1	0	0	1	1	1	0	0	1	← M →		← D →								
SQRS†	Square and subtract previous product	1	0	1	0	1	1	0	1	0	← M →		← D →								

† These instructions are not included in the SMJ32010 instruction set.

SMJ320C26 DIGITAL SIGNAL PROCESSOR

SGUS 016A – AUGUST 1990 – REVISED AUGUST 2001

instruction set (continued)

Table 2. Instruction Set Summary (continued)

BRANCH/CALL INSTRUCTIONS																			
MNEMONIC	DESCRIPTION	NO. WORDS	INSTRUCTION BIT CODE																
			15	14	13	12	11	10	9	8	7	6	5	4	3	2	1	0	
B	Branch unconditionally	2	1	1	1	1	1	1	1	1	1	1	1	1	1	1	1	1	1
BACC†	Branch to address specified by accumulator	1	1	1	0	0	1	1	1	0	0	0	1	0	0	1	0	1	0
BANZ	Branch on auxiliary register not zero	2	1	1	1	1	1	0	1	1	1	1	1	1	1	1	1	1	1
BBNZ†	Branch if TC bit ≠ 0	2	1	1	1	1	1	0	0	1	1	1	1	1	1	1	1	1	1
BBZ†	Branch if TC bit = 0	2	1	1	1	1	1	0	0	0	1	1	1	1	1	1	1	1	1
BC	Branch on carry	2	0	1	0	1	1	1	1	0	1	1	1	1	1	1	1	1	1
BGEZ	Branch if accumulator ≥ 0	2	1	1	1	1	0	1	0	0	1	1	1	1	1	1	1	1	1
BGZ	Branch if accumulator > 0	2	1	1	1	1	0	0	0	1	1	1	1	1	1	1	1	1	1
BIOZ	Branch on I/O status = 0	2	1	1	1	1	1	0	1	0	1	1	1	1	1	1	1	1	1
BLEZ	Branch if accumulator ≤ 0	2	1	1	1	1	0	0	1	0	1	1	1	1	1	1	1	1	1
BLZ	Branch if accumulator < 0	2	1	1	1	1	0	0	1	1	1	1	1	1	1	1	1	1	1
BNC	Branch on no carry	2	0	1	0	1	1	1	1	1	1	1	1	1	1	1	1	1	1
BNV†	Branch if no overflow	2	1	1	1	1	0	1	1	1	1	1	1	1	1	1	1	1	1
BNZ	Branch if accumulator ≠ 0	2	1	1	1	1	0	1	0	1	1	1	1	1	1	1	1	1	1
BV	Branch on overflow	2	1	1	1	1	0	0	0	0	1	1	1	1	1	1	1	1	1
BZ	Branch if accumulator = 0	2	1	1	1	1	0	1	1	0	1	1	1	1	1	1	1	1	1
CALA	Call subroutine indirect	1	1	1	0	0	1	1	1	0	0	0	1	0	0	1	0	0	0
CALL	Call subroutine	2	1	1	1	1	1	1	1	0	1	1	1	1	1	1	1	1	1
RET	Return from subroutine	1	1	1	0	0	1	1	1	0	0	0	1	0	0	1	1	0	0

I/O AND DATA MEMORY OPERATIONS																				
MNEMONIC	DESCRIPTION	NO. WORDS	INSTRUCTION BIT CODE																	
			15	14	13	12	11	10	9	8	7	6	5	4	3	2	1	0		
BLKD	Block move from data memory to data memory	2	1	1	1	1	1	1	0	1	M	←	←	←	←	←	←	←	←	←
BLKP†	Block move from program memory to data memory	2	1	1	1	1	1	1	0	0	M	←	←	←	←	←	←	←	←	←
DMOV	Data move in data memory	1	0	1	0	1	0	1	1	0	M	←	←	←	←	←	←	←	←	←
FORT†	Format serial port registers	1	1	1	0	0	1	1	1	0	0	FO	0	0	1	1	1	1	1	1
IN	Input data from port	1	1	0	0	0	←	←	←	←	←	←	←	←	←	←	←	←	←	
OUT	Output data to port	1	1	1	1	0	←	←	←	←	←	←	←	←	←	←	←	←	←	
RFSM	Reset serial port frame synchronization mode	1	1	1	0	0	1	1	1	0	0	0	1	1	0	1	1	0	0	
RTXM†	Reset serial port transmit mode	1	1	1	0	0	1	1	1	0	0	0	1	0	0	0	0	0	0	
RXF†	Reset external flag	1	1	1	0	0	1	1	1	0	0	0	0	0	1	1	0	0	0	
SFSM	Set serial port frame synchronization mode	1	1	1	0	0	1	1	1	0	0	0	1	1	0	1	1	1	1	
STXM†	Set serial port transmit mode	1	1	1	0	0	1	1	1	0	0	0	1	0	0	0	0	1	1	
SXF†	Set external flag	1	1	1	0	0	1	1	1	0	0	0	0	0	1	1	0	1	1	
TBLR	Table read	1	0	1	0	1	1	0	0	0	M	←	←	←	←	←	←	←	←	
TBLW	Table write	1	0	1	0	1	1	0	0	1	M	←	←	←	←	←	←	←	←	

† These instructions are not included in the SMJ32010 instruction set.



instruction set (continued)

Table 2. Instruction Set Summary (concluded)

		CONTROL INSTRUCTIONS																
MNEMONIC	DESCRIPTION	NO. WORDS	INSTRUCTION BIT CODE															
			15	14	13	12	11	10	9	8	7	6	5	4	3	2	1	0
BIT†	Test bit	1	1	0	0	1	← D →	M	← D →									
BITT†	Test bit specified by T register	1	0	1	0	1	0	1	1	1	M	← D →						
CONF‡	Configure RAM blocks as Data or program	1	1	1	0	0	1	1	1	0	0	0	1	1	1	1	← CNF →	
DINT	Disable interrupt	1	1	1	0	0	1	1	1	0	0	0	0	0	0	0	0	1
EINT	Enable interrupt	1	1	1	0	0	1	1	1	0	0	0	0	0	0	0	0	0
IDLE†	Idle until interrupt	1	1	1	0	0	1	1	1	0	0	0	0	1	1	1	1	1
LST	Load status register ST0	1	0	1	0	1	0	0	0	0	M	← D →						
LST1†	Load status register ST1	1	0	1	0	1	0	0	0	1	M	← D →						
NOP	No operation	1	0	1	0	1	0	1	0	1	0	0	0	0	0	0	0	0
POP	Pop top of stack to low accumulator	1	1	1	0	0	1	1	1	0	0	0	0	1	1	1	0	1
POPD†	Pop top of stack to data memory	1	0	1	1	1	1	0	1	0	M	← D →						
PSHD†	Push data memory value onto stack	1	0	1	0	1	0	1	0	0	M	← D →						
PUSH	Push low accumulator onto stack	1	1	1	0	0	1	1	1	0	0	0	0	1	1	1	0	0
RC	Reset carry bit	1	1	1	0	0	1	1	1	0	0	0	1	1	0	0	0	0
RHM	Reset hold mode	1	1	1	0	0	1	1	1	0	0	0	1	1	1	0	0	0
ROVM	Reset overflow mode	1	1	1	0	0	1	1	1	0	0	0	0	0	0	0	1	0
RPT†	Repeat instruction as specified by data memory value	1	0	1	0	0	1	0	1	1	M	← D →						
RPTK†	Repeat instruction as specified by immediate value	1	1	1	0	0	1	0	1	1	← K →							
RSXM†	Reset sign-extension mode	1	1	1	0	0	1	1	1	0	0	0	0	0	0	1	1	0
RTC	Reset test/control flag	1	1	1	0	0	1	1	1	0	0	0	1	1	0	0	1	0
SC	Set carry bit	1	1	1	0	0	1	1	1	0	0	0	1	1	0	0	0	1
SHM	Set hold mode	1	1	1	0	0	1	1	1	0	0	0	1	1	1	0	0	1
SOVM	Set overflow mode	1	1	1	0	0	1	1	1	0	0	0	0	0	0	0	1	1
SST	Store status register ST0	1	0	1	1	1	1	0	0	0	M	← D →						
SST1†	Store status register ST1	1	0	1	1	1	1	0	0	1	M	← D →						
SSXM†	Set sign-extension mode	1	1	1	0	0	1	1	1	0	0	0	0	0	0	1	1	1
STC	Set test/control flag	1	1	1	0	0	1	1	1	0	0	0	1	1	0	0	1	1
TRAP†	Software interrupt	1	1	1	0	0	1	1	1	0	0	0	0	1	1	1	1	0

† These instructions are not included in the SMJ32010 instruction set.
‡ This instruction replaces CNFD and CNFP in the SMJ320C25 instruction set.

SMJ320C26

DIGITAL SIGNAL PROCESSOR

SGUS 016A – AUGUST 1990 – REVISED AUGUST 2001

development support

Together, Texas Instruments and its authorized third-party suppliers offer an extensive line of development support products to assist the user in all aspects of TMS320 second-generation-based design and development. These products range from development and application software to complete hardware development and evaluation systems. Table 3 lists the development support products for the second-generation TMS320 devices.

System development may begin with the use of the simulator, Software Development System (SWDS), or emulator (XDS) along with an assembler/linker. These tools give the TMS320 user various means of evaluation, from software simulation of the second-generation TMS320s (simulator) to full-speed in-circuit emulation with hardware and software breakpoint trace and timing capabilities (XDS).

Software and hardware can be developed simultaneously by using the macro assembler/linker, C compiler, and simulator for software development, the XDS for hardware development, and the Software Development System for both software development and limited hardware development.

Many third-party vendors offer additional development support for the second-generation TMS320s, including assembler/linkers, simulators, high-level languages, applications software, algorithm development tools, applications boards, software development boards, and in-circuit emulators. Refer to the *TMS320 Family Development Support Reference Guide* (SPRU011A) for further information about TMS320 development support products offered by both Texas Instruments and its third-party suppliers.

Additional support for the TMS320 products consists of an extensive library of product and applications documentation. Three-day DSP design workshops are offered by the TI Regional Technology Centers (RTCs). These workshops provide insight into the architecture and the instruction set of the second-generation TMS320s as well as hands-on training with the TMS320 development tools. When technical questions arise regarding the TMS320 family, contact the Texas Instruments TMS320 Hotline at (713) 274–2320. Or, keep informed on the latest TI and third-party development support tools by accessing the DSP Bulletin Board Service (BBS) at (713) 274–2323. The BBS serves 2400-, 1200-, and 300-bps modems. Also, TMS320 application source code may be downloaded from the BBS.

Table 3 gives a complete list of SMJ320C26 software and hardware development tools.



development support (continued)

Table 3. Software and Hardware Support

MACRO ASSEMBLER/LINKER		
HOST COMPUTER	OPERATING SYSTEMS	PART NUMBER
DEC VAX	VMS	TMDS3242250-08
IBM PC	MS/PS DOS	TMDS3242850-02
VAX	ULTRIX	TMDS3242260-08
SUN 3	UNIX	TMDS3242550-08
C COMPILER AND MACRO ASSEMBLER/LINKER		
HOST COMPUTER	OPERATING SYSTEMS	PART NUMBER
DEC VAX	VMS	TMDS3242255-08
IBM PC	MS/PC DOS	TMDS3242855-02
VAX	ULTRIX	TMDS3242265-08
SUN 3	UNIX	TMDS3242555-08
SIMULATOR		
HOST COMPUTER	OPERATING SYSTEMS	PART NUMBER
DEC VAX	VMS	TMDS3242251-08
IBM PC	MS/PC DOS	TMDS3242851-02
EMULATOR		
MODEL	POWER SUPPLY	PART NUMBER
XDS/22	INCLUDED	TMDS3262292
SOFTWARE DEVELOPMENT SYSTEM ON PC		
HOST COMPUTER	OPERATING SYSTEMS	PART NUMBER
IBM PC	MS/PC DOS	TMDX3268828
IBM PC	MS/PC DOS	TMDX3268821†

† Includes assembler/linker

SMJ320C26 DIGITAL SIGNAL PROCESSOR

SGUS 016A – AUGUST 1990 – REVISED AUGUST 2001

absolute maximum ratings over specified temperature range (unless otherwise noted)†

Supply voltage range, $V_{CC}‡$	– 0.3 V to 7 V
Input voltage range	– 0.3 V to 7 V
Output voltage range	– 0.3 V to 7 V
Continuous power dissipation	1.0 W
Storage temperature range	– 55°C to 150°C

† Stresses beyond those listed under “absolute maximum ratings” may cause permanent damage to the device. This is a stress rating only, and functional operation of the device at these or any other conditions beyond those indicated in the “recommended operating conditions” section of this specification is not implied. Exposure to absolute-maximum-rated conditions for extended periods may affect device reliability.

‡ All voltages are with respect to V_{SS} .



This device contains circuits to protect its inputs and outputs against damage due to high static voltages or electrostatic fields. These circuits have been qualified to protect this device against electrostatic discharges (ESD) of up to 2 kV according to MIL-STD-883C, Method 3015; however, it is advised that precautions be taken to avoid application of any voltage higher than maximum-rated voltages to these high-impedance circuits. During storage or handling, the device leads should be shorted together or the device should be placed in conductive foam. In a circuit, unused inputs should always be connected to an appropriated logic voltage level, preferably either V_{CC} or ground. Specific guidelines for handling devices of this type are contained in the publication *Guidelines for Handling Electrostatic-Discharge-Sensitive (ESDS) Devices and Assemblies* available from Texas Instruments.

recommended operating conditions

		MIN	NOM	MAX	UNIT
V_{CC}	Supply voltage	4.5	5	5.5	V
V_{SS}	Supply voltage		0		V
V_{IH}	High-level input voltage	D15–D0, FSX	2.2		V
		CLKIN, CLKR, CLKX	3.50		
		All others	3.00		
V_{IL}	Low-level input voltage	D15–D0, FSX, CLKIN, CLKR, CLKX		0.8	μ A
		All others		0.7	
I_{OH}	High-level output current			300	μ A
I_{OL}	Low-level output current			2	mA
T_A	Minimum operating free-air temperature	–55			°C
T_C	Maximum operating case temperature			125	°C

electrical characteristics over specified free-air temperature range (unless otherwise noted)

PARAMETER		TEST CONDITIONS	MIN	TYP§	MAX	UNIT
V_{OH}	High-level output voltage	$V_{CC} = \text{MIN}, I_{OH} = \text{MAX}$	2.4	3		V
V_{OL}	Low-level output voltage	$V_{CC} = \text{MIN}, I_{OL} = \text{MAX}$		0.3	0.6	V
I_{OZ}	High-impedance-state output leakage current	$V_{CC} = \text{MAX}$			± 20	μ A
I_I	Input current	$V_I = V_{SS} \text{ to } V_{CC}$			± 10	μ A
I_{CC}	Supply current	Normal			185	mA
		Idle/HOLD			100	
C_I	Input capacitance			15		pF
C_O	Output capacitance			15		pF

§ All typical values are at $V_{CC} = 5 \text{ V}, T_A = 25^\circ\text{C}$.



CLOCK CHARACTERISTICS AND TIMING

The SMJ320C26 can use either its internal oscillator or an external frequency source for a clock.

internal clock option

The internal oscillator is enabled by connecting a crystal across X1 and X2/CLKIN (see Figure 2). The frequency of CLKOUT1 is one-fourth the crystal fundamental frequency. The crystal should be either fundamental or overtone mode, and parallel resonant, with an effective series resistance of 30 Ω , a power dissipation of 1 mW, and be specified at a load capacitance of 20 pF. Note that overtone crystals require an additional tuned LC circuit (see the application report, *Hardware Interfacing to the TMS320C25*).

PARAMETER	TEST CONDITIONS	MIN	TYP	MAX	UNIT
f_x Input clock frequency [†]	$T_A = -55^\circ\text{C MIN}$	6.7		40.0	MHz
C1, C2	$T_C = 125^\circ\text{C MAX}$		10		pF

[†] This parameter is not production tested.

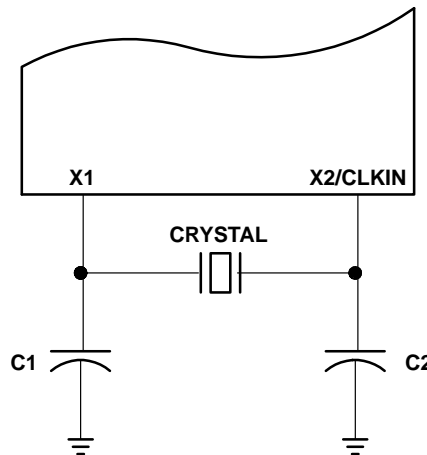


Figure 1. Internal Clock Option

external clock option

An external frequency source can be used by injecting the frequency directly into X2/CLKIN with X1 left unconnected. The external frequency injected must conform to the specifications listed in the table below.

switching characteristics over recommended operating conditions (see Note 1)

PARAMETER	MIN	TYP [†]	MAX	UNIT
$t_{c(C)}$ CLKOUT1/CLKOUT2 cycle time	100		600	ns
$t_{d(C1H-C)}$ CLKIN high to CLKOUT1/CLKOUT2/STRB high/low	5		32	ns
$t_f(C)$ CLKOUT1/CLKOUT2/STRB fall time			5	ns
$t_r(C)$ CLKOUT1/CLKOUT2/STRB rise time			5	ns
$t_w(CL)$ CLKOUT1/CLKOUT2 low pulse duration	2Q-8	2Q	2Q+8	ns
$t_w(CH)$ CLKOUT1/CLKOUT2 high pulse duration	2Q-8	2Q	2Q+8	ns
$t_d(C1-C2)$ CLKOUT1 high to CLKOUT2 low, CLKOUT2 high to CLKOUT1 high, etc.	Q-6	Q	Q+6	ns

[†] This parameter is not production tested.

NOTE 1: $Q = 1/4t_{c(C)}$

SMJ320C26 DIGITAL SIGNAL PROCESSOR

SGUS 016A – AUGUST 1990 – REVISED AUGUST 2001

timing requirements over recommended operating conditions (see Note 1)

		MIN	MAX	UNIT
$t_{c(CI)}$	CLKIN cycle time	25	150	ns
$t_{w(CIL)}$	CLKIN low pulse duration, $t_{c(CI)} = 25$ ns (see Note 2)	10	15	ns
$t_{w(CIH)}$	CLKIN high pulse duration, $t_{c(CI)} = 25$ ns (see Note 2)	10	15	ns
$t_{su(S)}$	\overline{SYNC} setup time before CLKIN low	5	Q-5	ns
$t_{h(S)}$	\overline{SYNC} hold time from CLKIN low	8		ns

- NOTES: 1. $Q = 1/4t_{c(CI)}$
 2. CLKIN duty cycle $[t_{r(CI)} + t_{w(CIH)}]/t_{c(CI)}$ must be within 40-60%. CLKIN rise and fall times must be less than 5 ns.

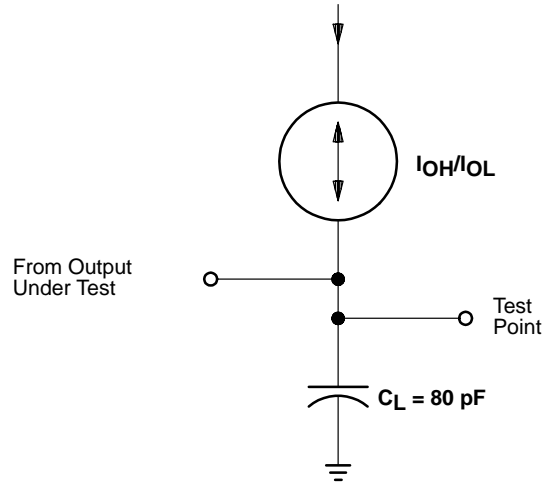
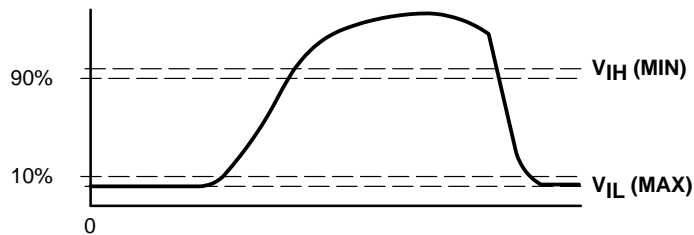
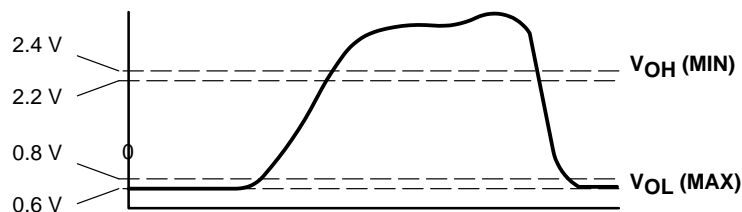


Figure 2. Test Load Circuit



(a) Input



(b) Outputs

Figure 3. Voltage Reference Levels

MEMORY AND PERIPHERAL INTERFACE TIMING

switching characteristics over recommended operating conditions (see Note 1)

PARAMETER	MIN	TYP	MAX	UNIT
$t_d(C1-S)$ \overline{STRB} from CLKOUT1 (if \overline{STRB} is present)	Q-6	Q	Q+6	ns
$t_d(C2-S)$ CLKOUT2 to \overline{STRB} (if \overline{STRB} is present)	-6	0	6	ns
$t_{su}(A)$ Address setup time before \overline{STRB} low (see Note 3)	Q-12			ns
$t_h(A)$ Address hold time after \overline{STRB} high (see Note 3)	Q-8			ns
$t_w(SL)$ \overline{STRB} low pulse duration (no wait states, see Note 4)	2Q-5	2Q	2Q+5	ns
$t_w(SH)$ \overline{STRB} high pulse duration (between consecutive cycles, see Note 4)		2Q		ns
$t_{su}(D)W$ Data write setup time before \overline{STRB} high (no wait states)	2Q-20			ns
$t_h(D)W$ Data write hold time from \overline{STRB} high	Q-10	Q		ns
$t_{en}(D)$ Data bus starts being driven after \overline{STRB} low (write cycle)	0†			ns
$t_{dis}(D)$ Data bus three-state after \overline{STRB} high (write cycle)		Q	Q+15†	ns
$t_d(MSC)$ \overline{MSC} valid from CLKOUT1	-10†	0	10	ns

† This parameter is not production tested.

timing requirements over recommended operating conditions (see Note 1)

	MIN	MAX	UNIT
$t_a(A)$ Read data access time from address time (read cycle) (see Notes 3 and 5)		3Q-40	ns
$t_{su}(D)R$ Data read setup time before \overline{STRB} high	23		ns
$t_h(D)R$ Data read hold time from \overline{STRB} high	0		ns
$t_d(SL-R)$ READY valid after \overline{STRB} low (no wait states)		Q-22	ns
$t_d(C2H-R)$ READY valid after CLKOUT2 high		Q - 22†	ns
$t_h(SL-R)$ READY hold time after \overline{STRB} low (no wait states)	Q+3		ns
$t_h(C2H-R)$ READY hold after CLKOUT2 high	Q + 3†		ns
$t_d(M-R)$ READY valid after \overline{MSC} valid		2Q - 25†	ns
$t_h(M-R)$ READY hold time after \overline{MSC} valid	0†		ns

† This parameter is not production tested.

\overline{RS} , \overline{INT} , \overline{BIO} , AND XF TIMING

switching characteristics over recommended operating conditions (see Note 1)

PARAMETER	MIN	TYP	MAX	UNIT
$t_d(RS)$ CLKOUT1 low to reset state entered			22†	ns
$t_d(IACK)$ CLKOUT1 to \overline{IACK} valid	-8†	0	8	ns
$t_d(XF)$ XF valid before falling edge of \overline{STRB}	Q-12			ns

SMJ320C26

DIGITAL SIGNAL PROCESSOR

SGUS 016A – AUGUST 1990 – REVISED AUGUST 2001

timing requirements over recommended operating conditions (see Note 1)

		MIN	MAX	UNIT
$t_{su}(IN)$	$\overline{INT}/\overline{BIO}/\overline{RS}$ setup before CLKOUT1 high (see Note 6)	32		ns
$t_h(IN)$	$\overline{INT}/\overline{BIO}/\overline{RS}$ hold after CLKOUT1 high (see Note 6)	0		ns
$t_w(IN)$	$\overline{NT}/\overline{BIO}$ low pulse duration		$t_c(C)$	ns
$t_w(RS)$	\overline{RS} low pulse duration		$3t_c(C)$	ns

- NOTES:
- $Q = 1/4t_c(C)$
 - A15–A0, \overline{PS} , \overline{DS} , \overline{IS} , R/\overline{W} , and \overline{BR} timings are all included in timings referenced as “address.”
 - Delays between CLKOUT1/CLKOUT2 edges and \overline{STRB} edges track each other, resulting in $t_w(SL)$ and $t_w(SH)$ being $2Q$ with no wait states.
 - Read data access time is defined as $t_a(A) = t_{su}(A) + t_w(SL) - t_{su}(D)R$.
 - \overline{RS} , \overline{INT} , and \overline{BIO} are asynchronous inputs and can occur at any time during a clock cycle. However, if the specified setup time is met, the exact sequence shown in the timing diagram will occur. $\overline{INT}/\overline{BIO}$ fall time must be less than 8 ns.



HOLD TIMING

switching characteristics over recommended operating conditions (see Note 1)

PARAMETER	MIN	TYP	MAX	UNIT
$t_d(\text{C1L-AL})$ $\overline{\text{HOLDA}}$ low after CLKOUT1 low	-1 [†]		10	ns
$t_{dis}(\text{AL-A})$ $\overline{\text{HOLDA}}$ low to address three-state		0		ns
$t_{dis}(\text{C1L-A})$ Address three-state after CLKOUT1 low ($\overline{\text{HOLD}}$ mode) (see Note 7)			20 [†]	ns
$t_d(\text{HH-AH})$ $\overline{\text{HOLD}}$ high to $\overline{\text{HOLDA}}$ high			25	ns
$t_{en}(\text{A-C1L})$ Address driven before CLKOUT1 low ($\overline{\text{HOLD}}$ mode) (see Note 7)			8 [†]	ns

[†] This parameter is not production tested.

timing requirements over recommended operating conditions (see Note 1)

	MIN	MAX	UNIT
$t_d(\text{C2H-H})$ $\overline{\text{HOLD}}$ valid after CLKOUT2 high		Q-24	ns

NOTES: 1. $Q = 1/4t_{c(C)}$

7. $\overline{\text{A15-A0}}$, $\overline{\text{PS}}$, $\overline{\text{DS}}$, $\overline{\text{IS}}$, $\overline{\text{STRB}}$, and $\overline{\text{R/W}}$ timings are all included in timings referenced as "address."

SMJ320C26

DIGITAL SIGNAL PROCESSOR

SGUS 016A – AUGUST 1990 – REVISED AUGUST 2001

SERIAL PORT TIMING

switching characteristics over recommended operating conditions (see Note 1)

PARAMETER	MIN	MAX	UNIT
$t_d(\text{CH-DX})$ DX valid after CLKX rising edge (see Note 8)		80	ns
$t_d(\text{FL-DX})$ DX valid after FSX falling edge (TXM = 0) (see Note 8)		45	ns
$t_d(\text{CH-FS})$ FSX valid after CLKX rising edge (TXM = 1)		45	ns

timing requirements over recommended operating conditions (see Note 1)

	MIN	MAX	UNIT
f_{sx} Serial port frequency	1.25	5,000	kHz
$t_c(\text{SCK})$ Serial port clock (CLKX/CLKR) cycle time	200	800,000	ns
$t_w(\text{SCK})$ Serial port clock (CLKX/CLKR) low pulse duration (see Note 9)	80		ns
$t_w(\text{SCK})$ Serial port clock (CLKX/CLKR) high pulse duration (see Note 9)	80		ns
$t_{su}(\text{FS})$ FSX/FSR setup time before CLKX/CLKR falling edge (TXM = 0)	18		ns
$t_h(\text{FS})$ FSX/FSR hold time after CLKX/CLKR falling edge (TXM = 0)	20		ns
$t_{su}(\text{DR})$ DR setup time before CLKR falling edge	10		ns
$t_h(\text{DR})$ DR hold time after CLKR falling edge	20		ns

- NOTES: 1. $Q = 1/4t_c(C)$
 8. The last occurrence of FSX falling and CLKX rising.
 9. The duty cycle of the serial port clock must be within 40–60%. Serial port clock (CLKX/CLKR) rise and fall times must be less than 25 ns.



PARAMETER MEASUREMENT INFORMATION

Timing measurements are referenced to and from a low voltage of 0.8 volts and a high voltage of 2.2 volts unless otherwise noted.

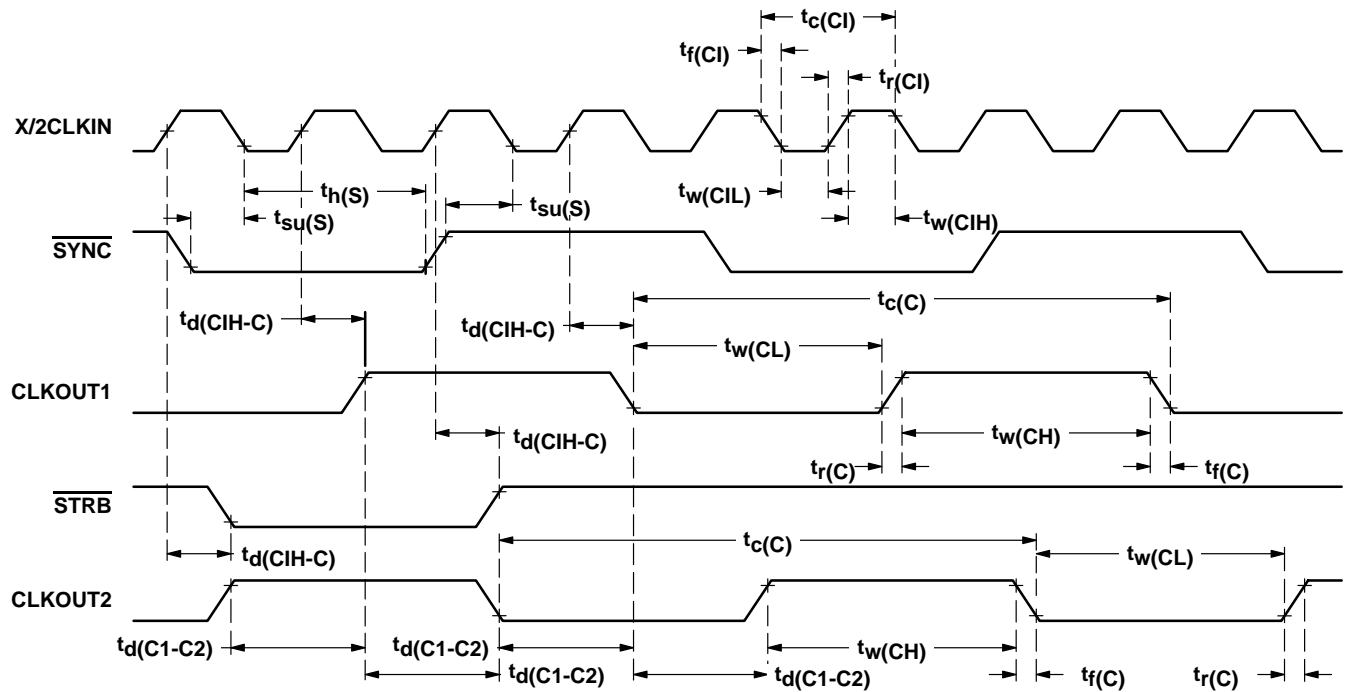


Figure 4. Clock Timing

SMJ320C26 DIGITAL SIGNAL PROCESSOR

SGUS 016A – AUGUST 1990 – REVISED AUGUST 2001

PARAMETER MEASUREMENT INFORMATION

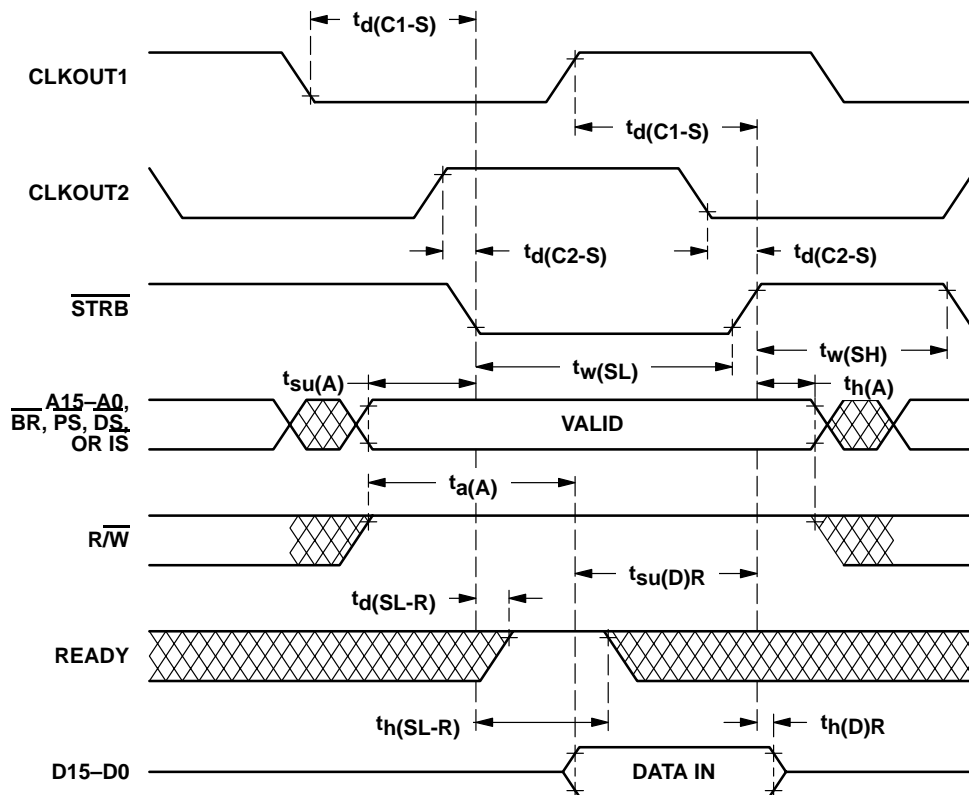


Figure 5. Memory Read Timing

PARAMETER MEASUREMENT INFORMATION

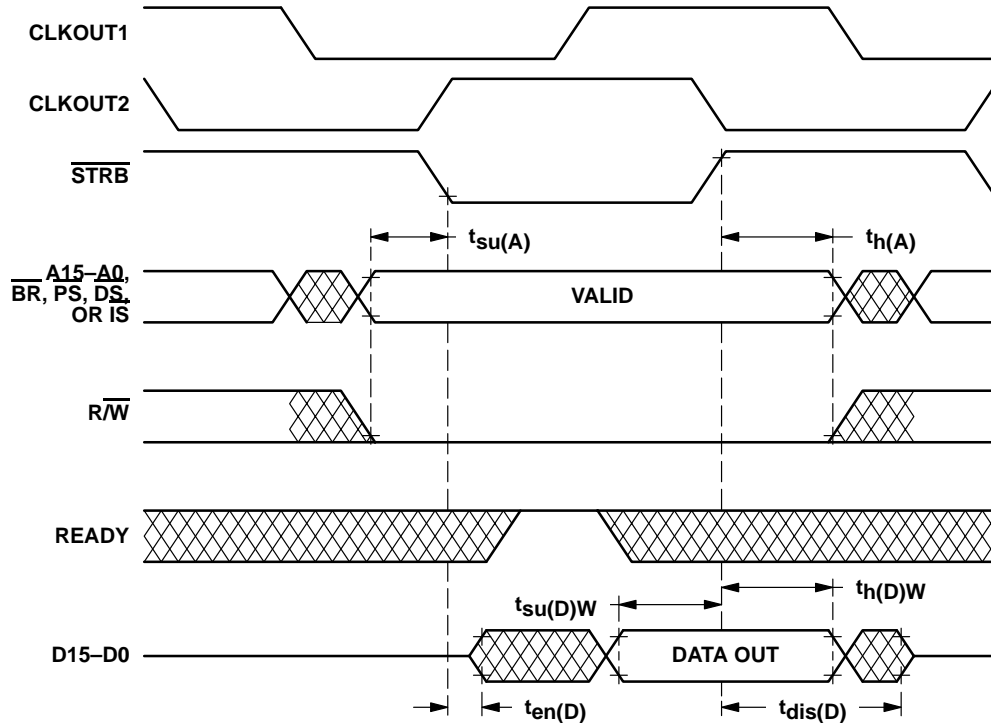


Figure 6. Memory Write Timing

SMJ320C26 DIGITAL SIGNAL PROCESSOR

SGUS 016A – AUGUST 1990 – REVISED AUGUST 2001

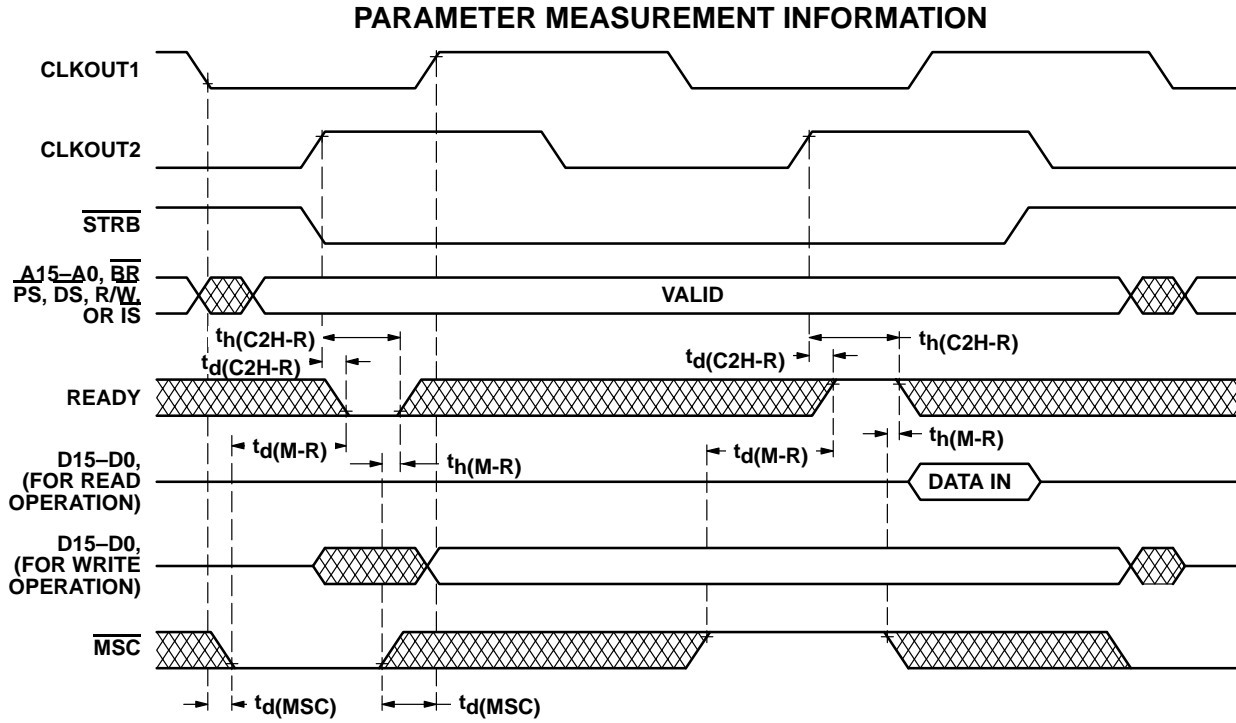
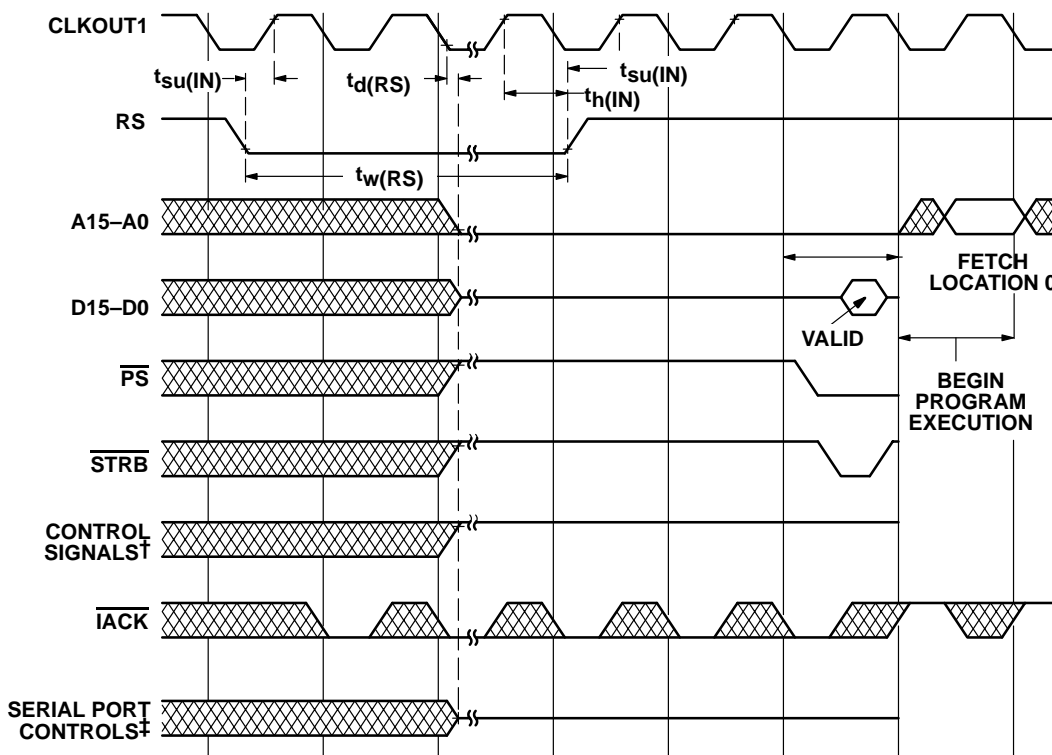


Figure 7. One Wait-State Memory Access Timing

PARAMETER MEASUREMENT INFORMATION



† Control signals are \overline{DS} , \overline{IS} , $R\overline{W}$, and $X\overline{F}$.

‡ Serial port controls are \overline{DX} and \overline{FSX} .

Figure 8. Reset Timing

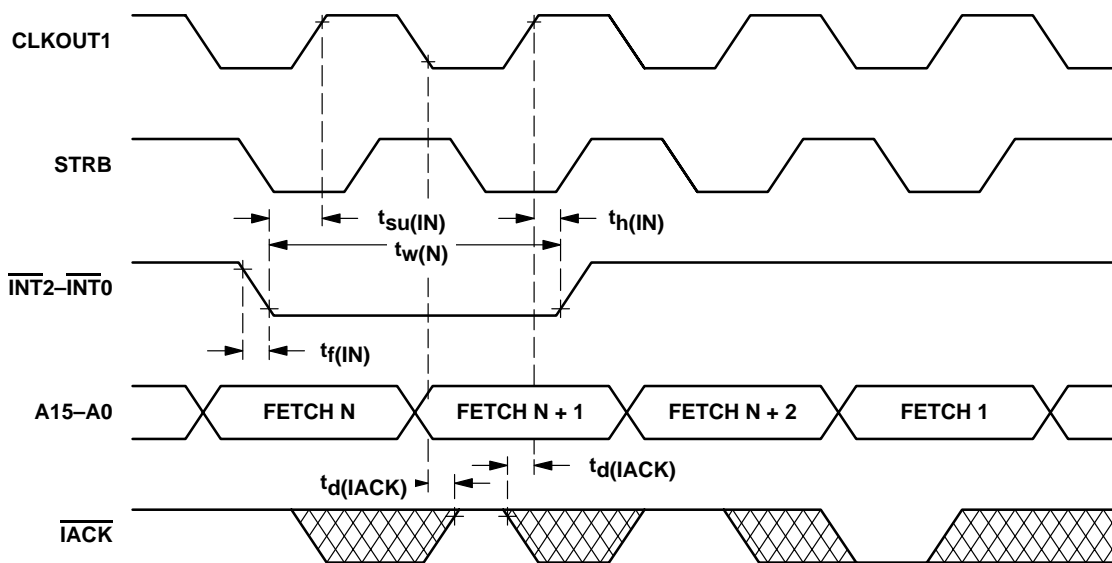


Figure 9. Interrupt Timing

SMJ320C26 DIGITAL SIGNAL PROCESSOR

SGUS 016A – AUGUST 1990 – REVISED AUGUST 2001

PARAMETER MEASUREMENT INFORMATION

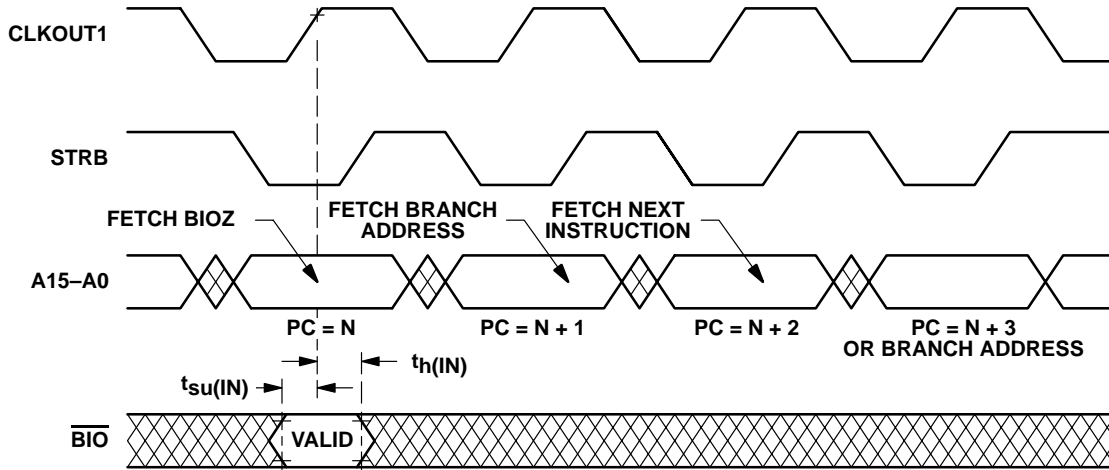


Figure 10. \overline{BIO} Timing

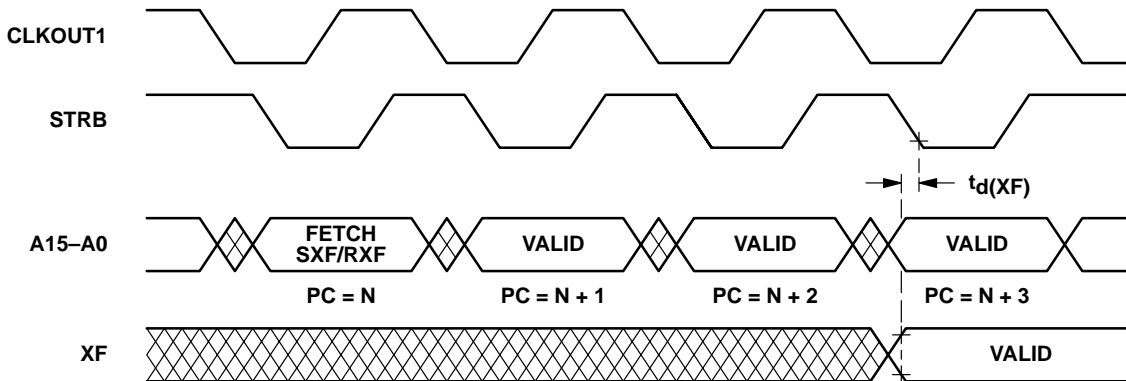
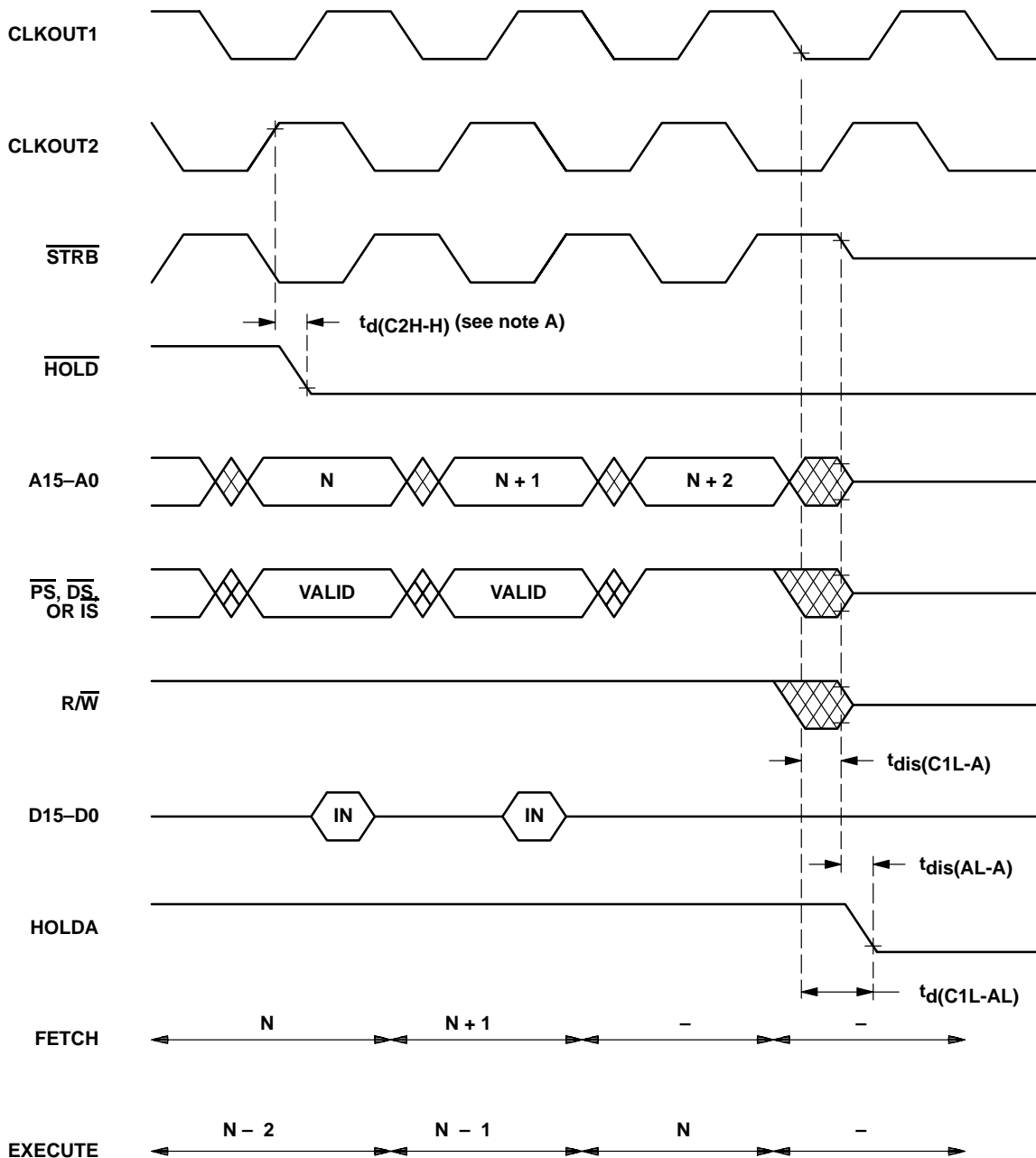


Figure 11. External Flag Timing

PARAMETER MEASUREMENT INFORMATION



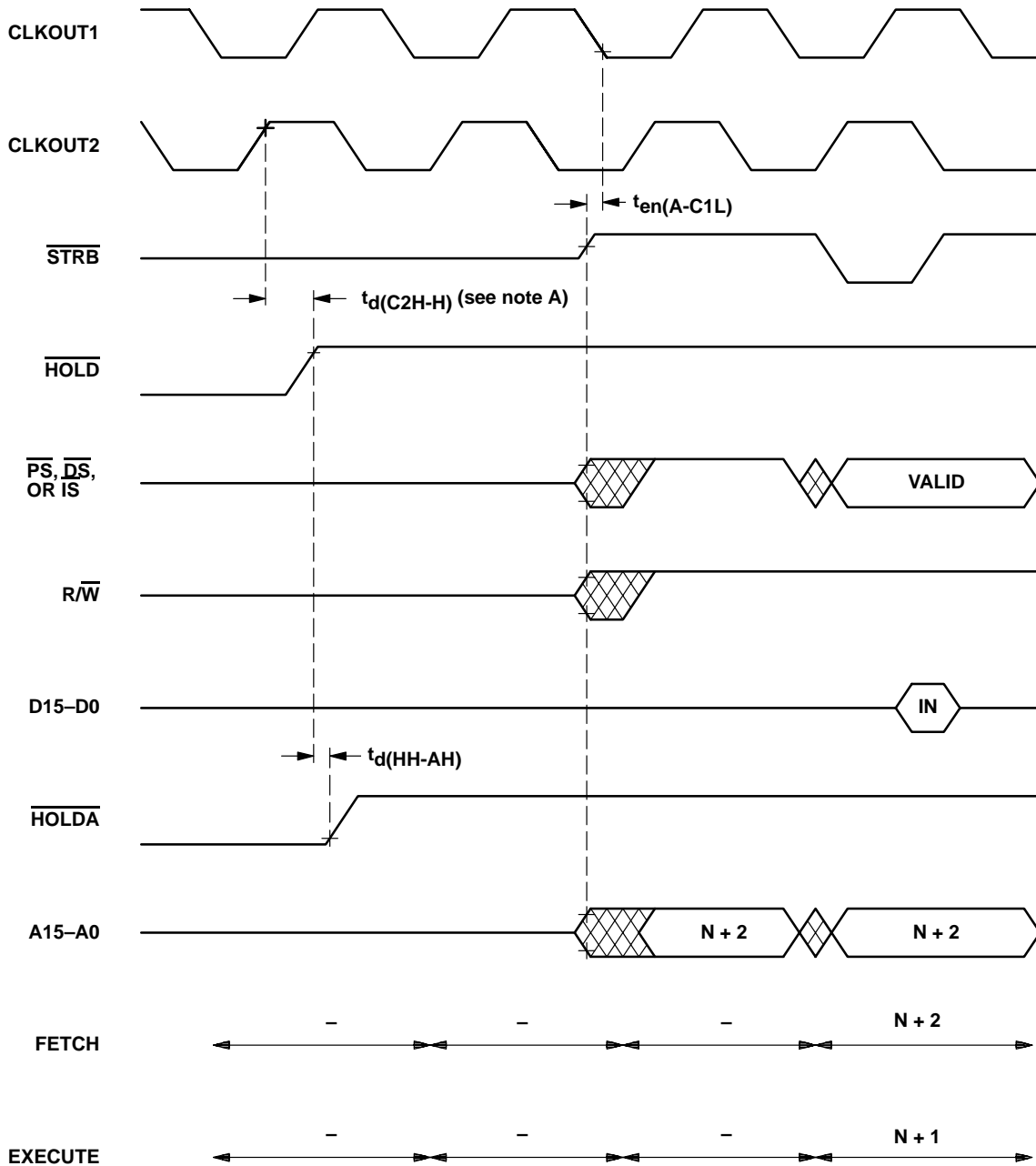
NOTE A: \overline{HOLD} is an asynchronous input that can occur at any time during a clock cycle. If the specified timing is met, the exact sequence shown will occur; otherwise, a delay of one CLKOUT2 cycle will occur.

Figure 12. \overline{HOLD} Timing (Part A)

SMJ320C26 DIGITAL SIGNAL PROCESSOR

SGUS 016A – AUGUST 1990 – REVISED AUGUST 2001

PARAMETER MEASUREMENT INFORMATION



NOTE A: \overline{HOLD} is an asynchronous input that can occur at any time during a clock cycle. If the specified timing is met, the exact sequence shown will occur; otherwise, a delay of one CLKOUT2 cycle will occur.

Figure 13. \overline{HOLD} Timing (Part B)

PARAMETER MEASUREMENT INFORMATION

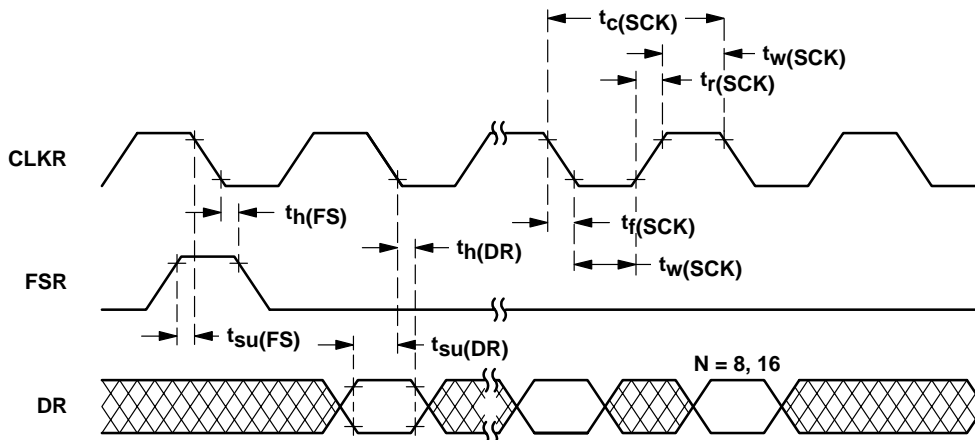


Figure 14. Serial Port Receive Timing

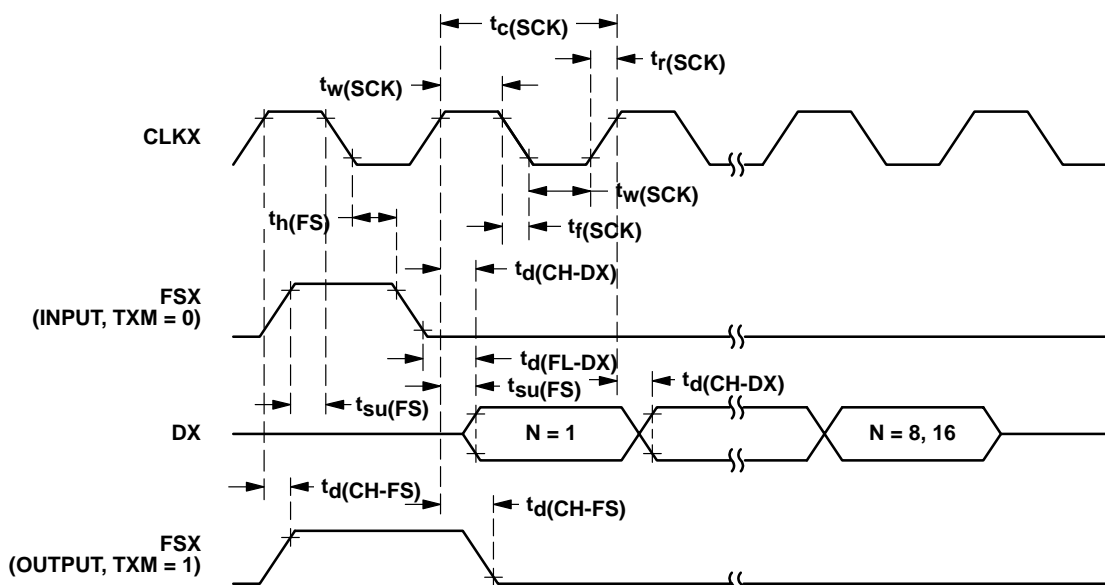


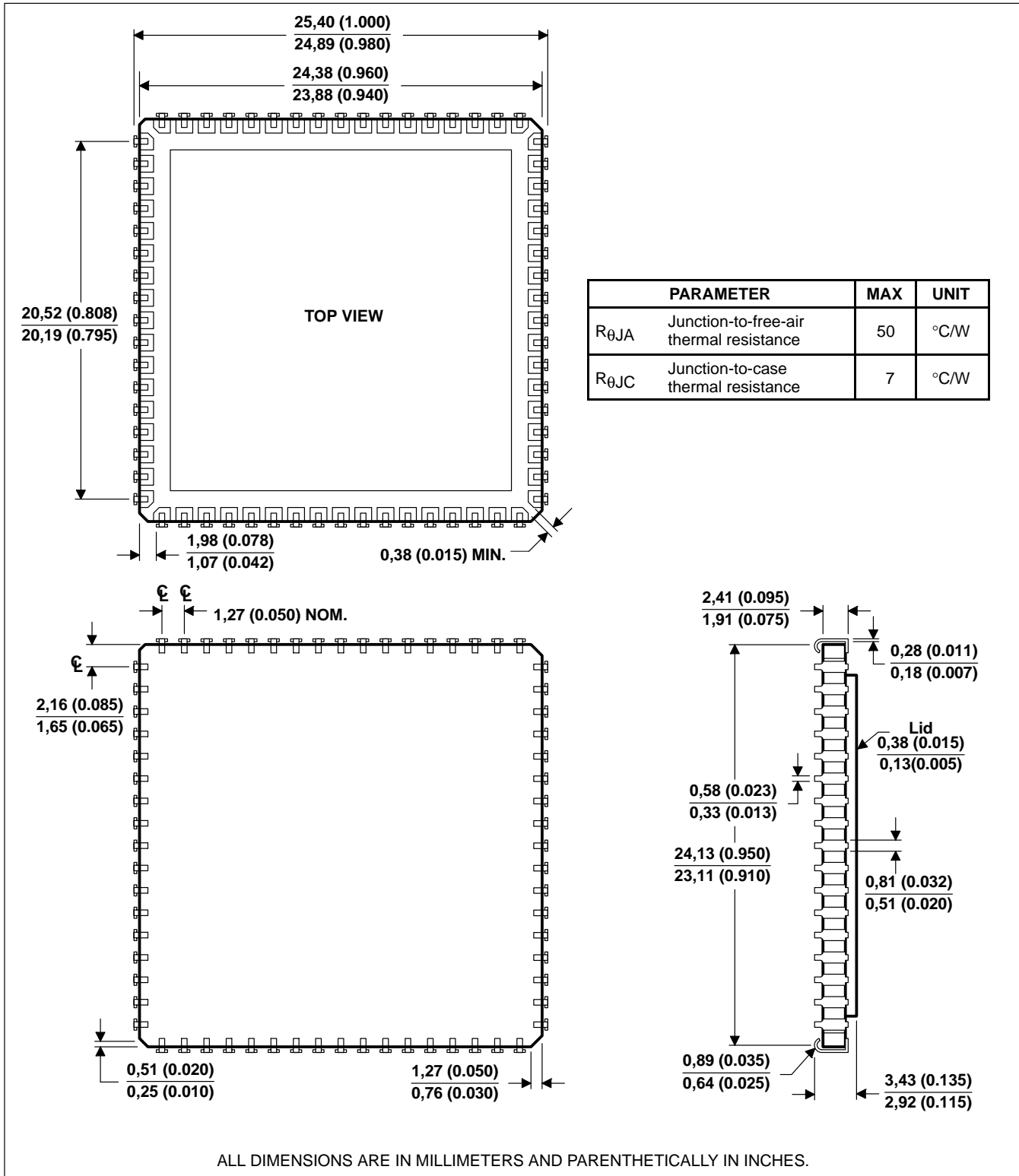
Figure 15. Serial Port Transmit Timing

SMJ320C26 DIGITAL SIGNAL PROCESSOR

SGUS 016A – AUGUST 1990 – REVISED AUGUST 2001

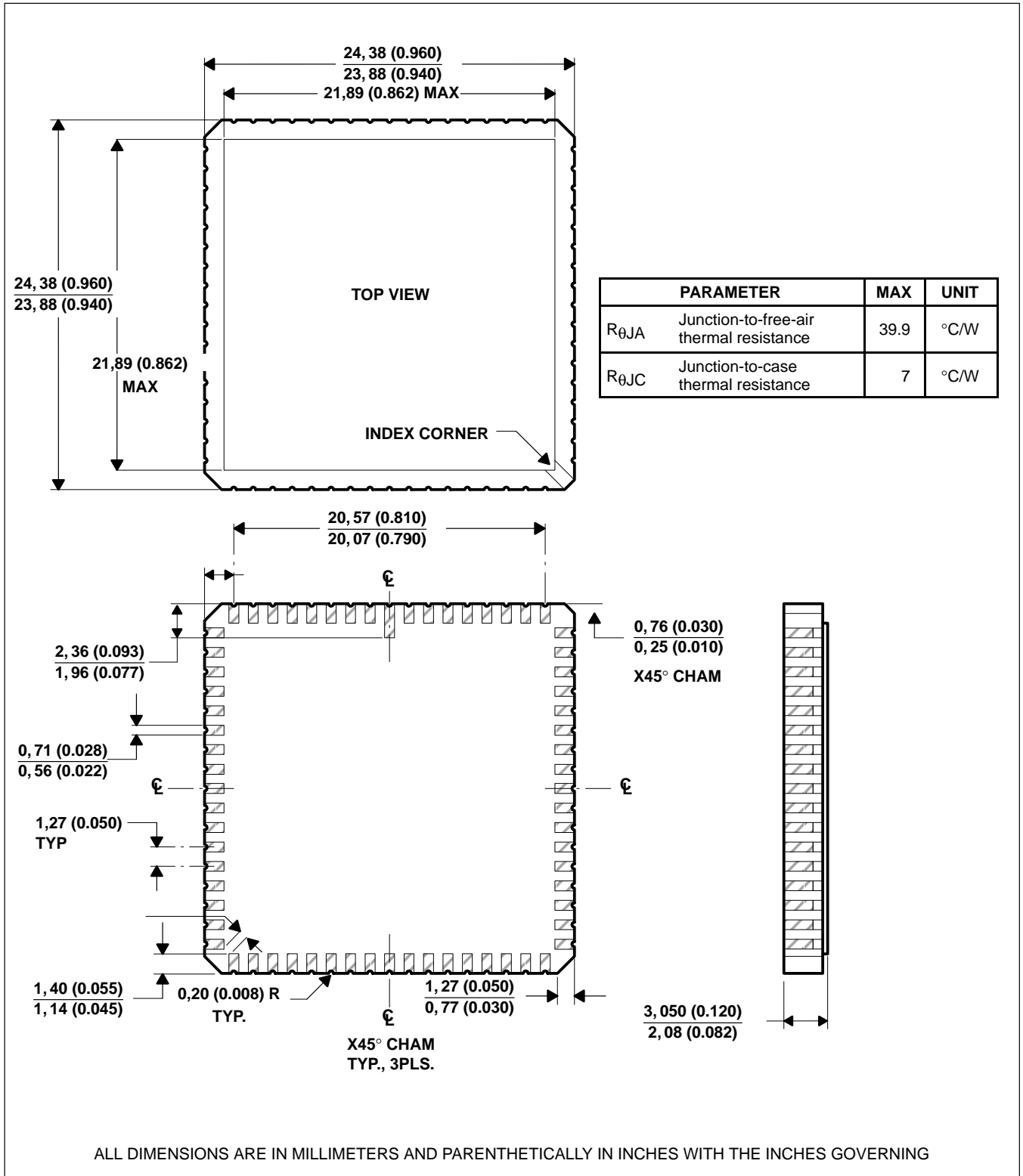
MECHANICAL DATA

FJ package leaded chip carrier package



MECHANICAL DATA

FD ceramic leadless (pad) chip carrier package

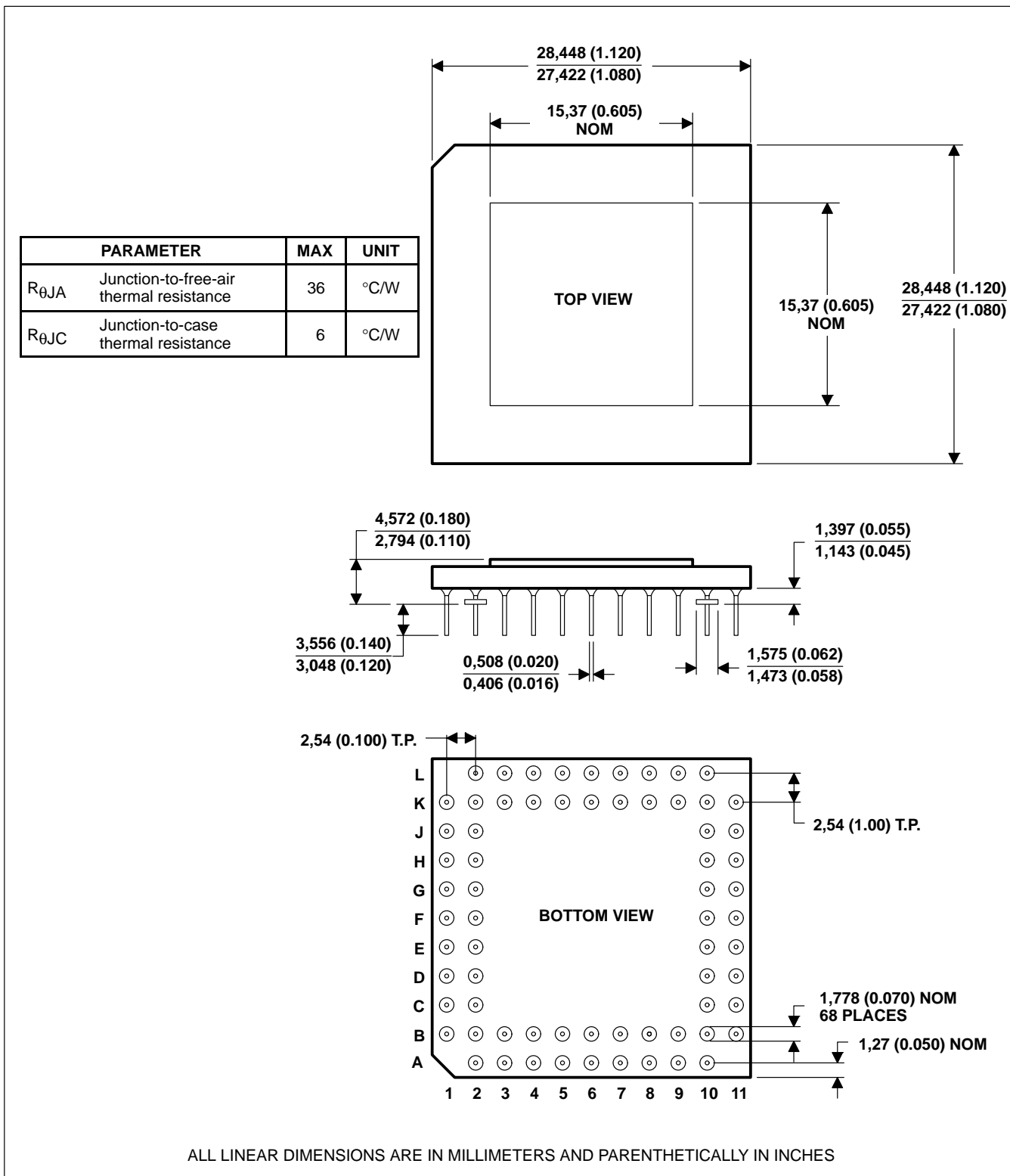


SMJ320C26 DIGITAL SIGNAL PROCESSOR

SGUS 016A – AUGUST 1990 – REVISED AUGUST 2001

MECHANICAL DATA

68-pin GB grid array ceramic package



PACKAGING INFORMATION

Orderable Device	Status ⁽¹⁾	Package Type	Package Drawing	Pins	Package Qty	Eco Plan ⁽²⁾	Lead/Ball Finish	MSL Peak Temp ⁽³⁾
5962-8861903XA	NRND	CPGA	GB	68		TBD	Call TI	N / A for Pkg Type
5962-8861903YA	NRND	LCCC	FD	68		TBD	Call TI	N / A for Pkg Type
SM320C26BFJM	OBSOLETE	JLCC	FJ	68		TBD	Call TI	N / A for Pkg Type
SM320C26BGBM	OBSOLETE	CPGA	GB	68		TBD	Call TI	N / A for Pkg Type
SMJ320C26BFDM	OBSOLETE	LCCC	FD	68		TBD	Call TI	N / A for Pkg Type
SMJ320C26BGBM	OBSOLETE	CPGA	GB	68		TBD	Call TI	N / A for Pkg Type

⁽¹⁾ The marketing status values are defined as follows:

ACTIVE: Product device recommended for new designs.

LIFEBUY: TI has announced that the device will be discontinued, and a lifetime-buy period is in effect.

NRND: Not recommended for new designs. Device is in production to support existing customers, but TI does not recommend using this part in a new design.

PREVIEW: Device has been announced but is not in production. Samples may or may not be available.

OBSOLETE: TI has discontinued the production of the device.

⁽²⁾ Eco Plan - The planned eco-friendly classification: Pb-Free (RoHS), Pb-Free (RoHS Exempt), or Green (RoHS & no Sb/Br) - please check <http://www.ti.com/productcontent> for the latest availability information and additional product content details.

TBD: The Pb-Free/Green conversion plan has not been defined.

Pb-Free (RoHS): TI's terms "Lead-Free" or "Pb-Free" mean semiconductor products that are compatible with the current RoHS requirements for all 6 substances, including the requirement that lead not exceed 0.1% by weight in homogeneous materials. Where designed to be soldered at high temperatures, TI Pb-Free products are suitable for use in specified lead-free processes.

Pb-Free (RoHS Exempt): This component has a RoHS exemption for either 1) lead-based flip-chip solder bumps used between the die and package, or 2) lead-based die adhesive used between the die and leadframe. The component is otherwise considered Pb-Free (RoHS compatible) as defined above.

Green (RoHS & no Sb/Br): TI defines "Green" to mean Pb-Free (RoHS compatible), and free of Bromine (Br) and Antimony (Sb) based flame retardants (Br or Sb do not exceed 0.1% by weight in homogeneous material)

⁽³⁾ MSL, Peak Temp. -- The Moisture Sensitivity Level rating according to the JEDEC industry standard classifications, and peak solder temperature.

Important Information and Disclaimer: The information provided on this page represents TI's knowledge and belief as of the date that it is provided. TI bases its knowledge and belief on information provided by third parties, and makes no representation or warranty as to the accuracy of such information. Efforts are underway to better integrate information from third parties. TI has taken and continues to take reasonable steps to provide representative and accurate information but may not have conducted destructive testing or chemical analysis on incoming materials and chemicals. TI and TI suppliers consider certain information to be proprietary, and thus CAS numbers and other limited information may not be available for release.

In no event shall TI's liability arising out of such information exceed the total purchase price of the TI part(s) at issue in this document sold by TI to Customer on an annual basis.

OTHER QUALIFIED VERSIONS OF SMJ320C26B :

- Catalog: [TMS320C26B](#)

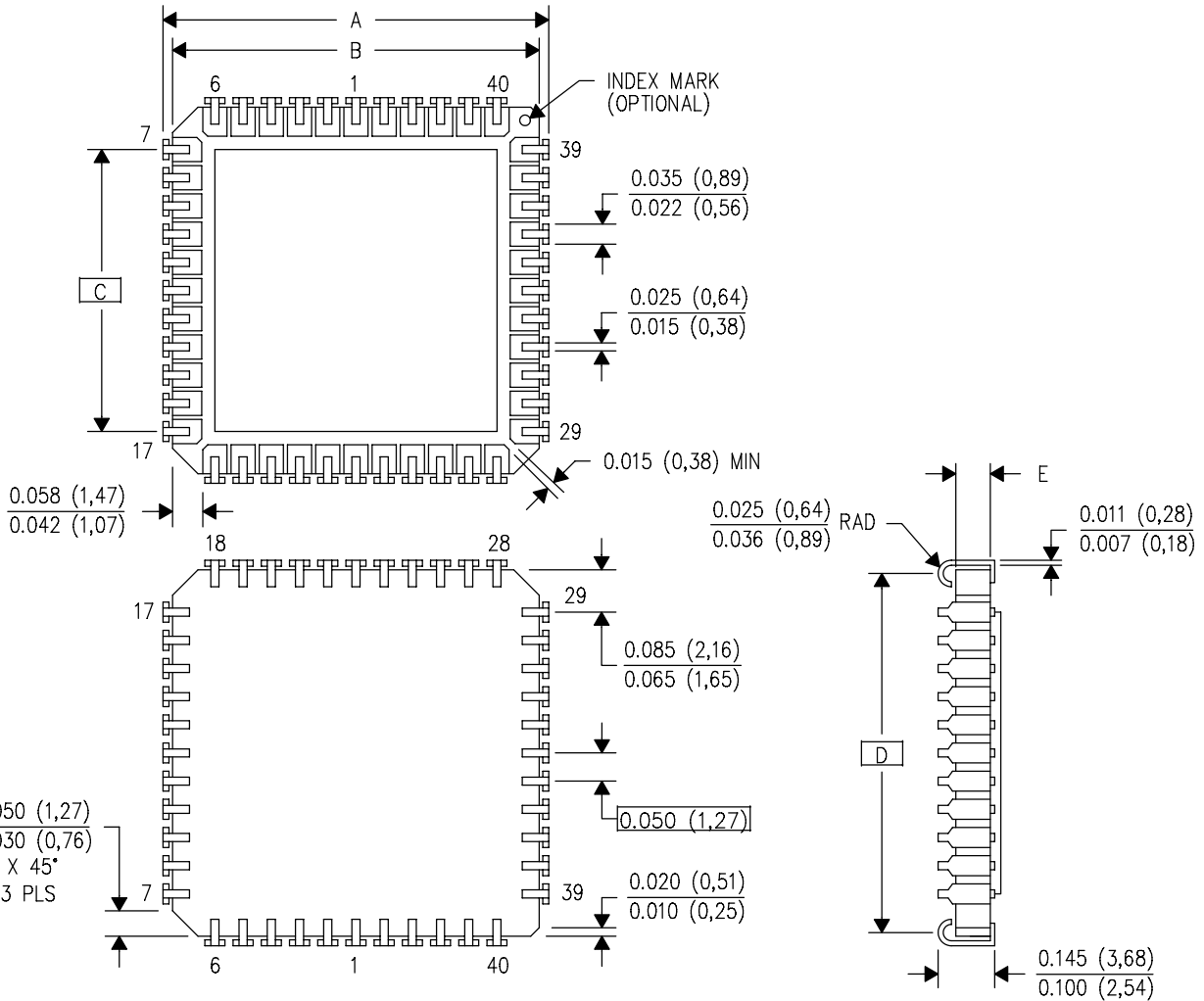
NOTE: Qualified Version Definitions:

- Catalog - TI's standard catalog product

FJ (S-CQCC-J**)

J-LEADED CERAMIC CHIP CARRIER

44 PINS SHOWN



DIM PINS **	A		B		C BSC	D BSC	E	
	MAX	MIN	MAX	MIN			MAX	MIN
44	0.700 (17,78)	0.680 (17,27)	0.659 (16,74)	0.641 (16,28)	0.500 (12,70)	0.630 (16,00)	0.080 (2,03)	0.058 (1,47)
68	1.000 (25,40)	0.980 (24,89)	0.960 (24,38)	0.940 (23,88)	0.800 (20,32)	0.930 (23,62)	0.095 (2,41)	0.072 (1,83)

4040139/D 04/03

- NOTES:
- A. All linear dimensions are in inches (millimeters).
 - B. This drawing is subject to change without notice.
 - C. Index mark may appear on top or bottom depending on package vendor.
 - D. This package is hermetically sealed with a metal lid.

IMPORTANT NOTICE

Texas Instruments Incorporated and its subsidiaries (TI) reserve the right to make corrections, modifications, enhancements, improvements, and other changes to its products and services at any time and to discontinue any product or service without notice. Customers should obtain the latest relevant information before placing orders and should verify that such information is current and complete. All products are sold subject to TI's terms and conditions of sale supplied at the time of order acknowledgment.

TI warrants performance of its hardware products to the specifications applicable at the time of sale in accordance with TI's standard warranty. Testing and other quality control techniques are used to the extent TI deems necessary to support this warranty. Except where mandated by government requirements, testing of all parameters of each product is not necessarily performed.

TI assumes no liability for applications assistance or customer product design. Customers are responsible for their products and applications using TI components. To minimize the risks associated with customer products and applications, customers should provide adequate design and operating safeguards.

TI does not warrant or represent that any license, either express or implied, is granted under any TI patent right, copyright, mask work right, or other TI intellectual property right relating to any combination, machine, or process in which TI products or services are used. Information published by TI regarding third-party products or services does not constitute a license from TI to use such products or services or a warranty or endorsement thereof. Use of such information may require a license from a third party under the patents or other intellectual property of the third party, or a license from TI under the patents or other intellectual property of TI.

Reproduction of TI information in TI data books or data sheets is permissible only if reproduction is without alteration and is accompanied by all associated warranties, conditions, limitations, and notices. Reproduction of this information with alteration is an unfair and deceptive business practice. TI is not responsible or liable for such altered documentation. Information of third parties may be subject to additional restrictions.

Resale of TI products or services with statements different from or beyond the parameters stated by TI for that product or service voids all express and any implied warranties for the associated TI product or service and is an unfair and deceptive business practice. TI is not responsible or liable for any such statements.

TI products are not authorized for use in safety-critical applications (such as life support) where a failure of the TI product would reasonably be expected to cause severe personal injury or death, unless officers of the parties have executed an agreement specifically governing such use. Buyers represent that they have all necessary expertise in the safety and regulatory ramifications of their applications, and acknowledge and agree that they are solely responsible for all legal, regulatory and safety-related requirements concerning their products and any use of TI products in such safety-critical applications, notwithstanding any applications-related information or support that may be provided by TI. Further, Buyers must fully indemnify TI and its representatives against any damages arising out of the use of TI products in such safety-critical applications.

TI products are neither designed nor intended for use in military/aerospace applications or environments unless the TI products are specifically designated by TI as military-grade or "enhanced plastic." Only products designated by TI as military-grade meet military specifications. Buyers acknowledge and agree that any such use of TI products which TI has not designated as military-grade is solely at the Buyer's risk, and that they are solely responsible for compliance with all legal and regulatory requirements in connection with such use.

TI products are neither designed nor intended for use in automotive applications or environments unless the specific TI products are designated by TI as compliant with ISO/TS 16949 requirements. Buyers acknowledge and agree that, if they use any non-designated products in automotive applications, TI will not be responsible for any failure to meet such requirements.

Following are URLs where you can obtain information on other Texas Instruments products and application solutions:

Products

Amplifiers	amplifier.ti.com
Data Converters	dataconverter.ti.com
DSP	dsp.ti.com
Clocks and Timers	www.ti.com/clocks
Interface	interface.ti.com
Logic	logic.ti.com
Power Mgmt	power.ti.com
Microcontrollers	microcontroller.ti.com
RFID	www.ti-rfid.com
RF/IF and ZigBee® Solutions	www.ti.com/lprf

Applications

Audio	www.ti.com/audio
Automotive	www.ti.com/automotive
Broadband	www.ti.com/broadband
Digital Control	www.ti.com/digitalcontrol
Medical	www.ti.com/medical
Military	www.ti.com/military
Optical Networking	www.ti.com/opticalnetwork
Security	www.ti.com/security
Telephony	www.ti.com/telephony
Video & Imaging	www.ti.com/video
Wireless	www.ti.com/wireless

Mailing Address: Texas Instruments, Post Office Box 655303, Dallas, Texas 75265
Copyright © 2008, Texas Instruments Incorporated