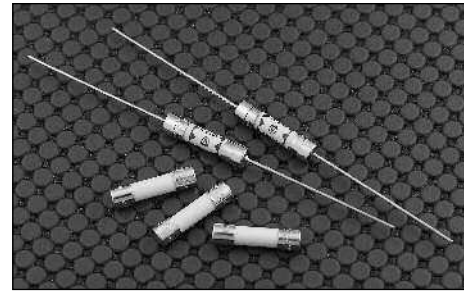


Description

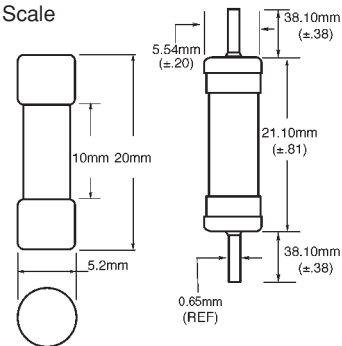
- Time delay, high breaking capacity
- Optional axial leads available
- 5mm x 20mm physical size
- Ceramic tube, nickel plated brass endcap construction
- Designed to IEC 60127-2 (1A-10A)
- RoHS Compliant version available (-R option)



| ELECTRICAL CHARACTERISTICS | | | | | | | | | | |
|----------------------------|--------|--------|--------|--------|---------|-------|-------|--------|-------|-----|
| In | 1.5 In | | 2.1 In | | 2.75 In | | 4 In | | 10 In | |
| | min | max | min | max | min | max | min | max | min | max |
| <1A | 60 min | 30 min | 250 ms | 80 sec | 50 ms | 5 sec | 5 ms | 55 ms | | |
| 1A-3.15A | 60 min | 30 min | 1 sec | 80 sec | 95 ms | 5 sec | 10 ms | 100 ms | | |
| 4A-10A | 60 min | 30 min | 1 sec | 80 sec | 150 ms | 5 sec | 20 ms | 100 ms | | |
| 12.5A | -- | 30 min | 1 sec | 80 sec | 150 ms | 5 sec | 20 ms | 100 ms | | |

Dimensions

Drawing Not to Scale



- Ratings above 6.3A have a 0.8mm diameter lead

Ordering

- Specify product code, option code and packaging code
- For -R option, drop mA or A from product code (i.e. S505-3-R)

Agency Information

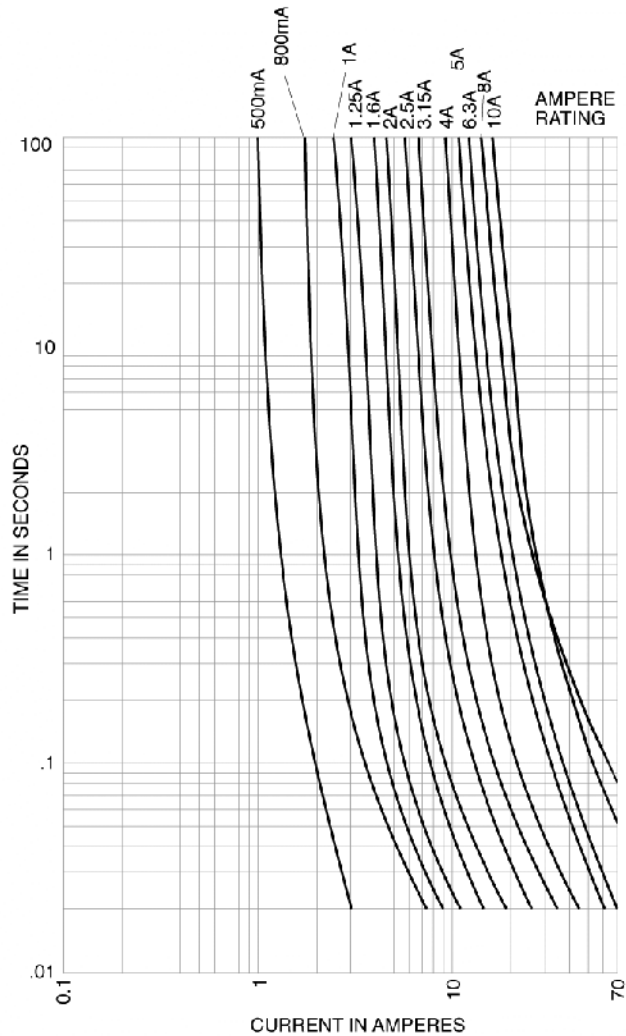
- UL Recognized Card: (1A-10A) Guide JDYX2, File E19180
- Semko Approval, 1A-10A
- VDE Approval, 1.25A-10A
- BSI Approval, 1.25A-10A
- IMQ Approval, 1.25A-10A
- MITI Approval, 1A-10A

SPECIFICATIONS

| Product Code | Voltage Rating AC | Interrupting Rating at Rated Voltage (50Hz) AC | Typical DC Cold Resistance (ohms)* | Typical Melting I ² t (A ² Sec) AC† | Typical Voltage Drop (mV)‡ |
|--------------|-------------------|--|------------------------------------|---|----------------------------|
| S505-500mA | 250V | 1500A | - | - | - |
| S505-800mA | 250V | 1500A | 0.243 | - | - |
| S505-1A | 250V | 1500A | 0.117 | 0.74 | 170 |
| S505-1.25A | 250V | 1500A | 0.093 | 1.6 | 150 |
| S505-1.6A | 250V | 1500A | 0.061 | 3.5 | 130 |
| S505-2A | 250V | 1500A | 0.041 | 7.6 | 110 |
| S505-2.5A | 250V | 1500A | 0.030 | 14 | 100 |
| S505-3.15A | 250V | 1500A | 0.022 | 27 | 90 |
| S505-4A | 250V | 1500A | 0.015 | 52 | 85 |
| S505-5A | 250V | 1500A | 0.011 | 98 | 80 |
| S505-6.3A | 250V | 1500A | 0.008 | 197 | 75 |
| S505-8A | 250V | 1500A | 0.007 | 311 | 75 |
| S505-10A | 250V | 1500A | 0.006 | 397 | 72 |

* DC Cold Resistance (Measured at <10% of rated current)
 † Typical Melting I²t (I²t was measured at listed interrupting rating and rated voltage)
 ‡ Typical Voltage Drop (Voltage drop was measured at 20°C ambient temperature at rated current)

TIME CURRENT CURVE
Time-Current Characteristics—Total Clear



| OPTION CODE | |
|-------------|--|
| Option Code | Description |
| V | Axial leads - copper tinned wire with nickel plated brass overcaps |
| -R | RoHS compliant version |

| PACKAGING CODE | |
|----------------|--|
| Packaging Code | Description |
| BK | 100 pieces of fuses packed into a cardboard carton |
| BK1 | 1,000 pieces of fuses packed into a poly bag |
| TR2 | 1,500 pieces of fuses packed into tape on a reel |

North America

Cooper Electronic Technologies
 3601 Quantum Boulevard
 Boynton Beach, FL 33426-8638
 Tel: 1-561-752-5000
 Fax: 1-561-742-0134
 Toll Free: 1-888-414-2645

Cooper Bussmann
 P.O. Box 14460
 St. Louis, MO 63178-4460
 Tel: 1-636-394-2877
 Fax: 1-800-544-2570

Europe

Cooper Electronic Technologies
 Cooper (UK) Limited
 Burton-on-the-Wolds
 Leicestershire • LE12 5TH UK
 Tel: +44 (0) 1509 882 737
 Fax: +44 (0) 1509 882 786

Asia Pacific

Cooper Electronic Technologies
 1 Jalan Kilang Timor
 #06-01 Pacific Tech Centre
 Singapore 159303
 Tel: +65 278 6151
 Fax: +65 270 4160