



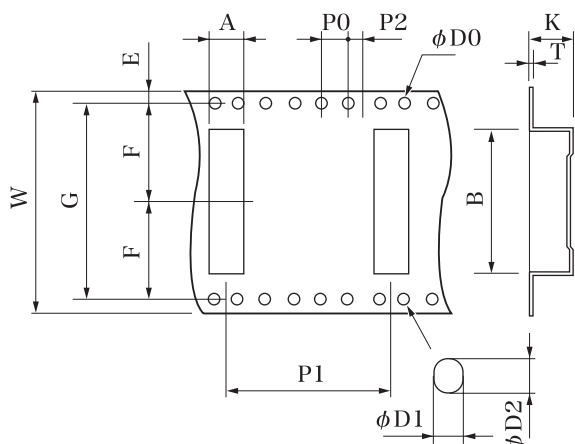


# Packing Specification

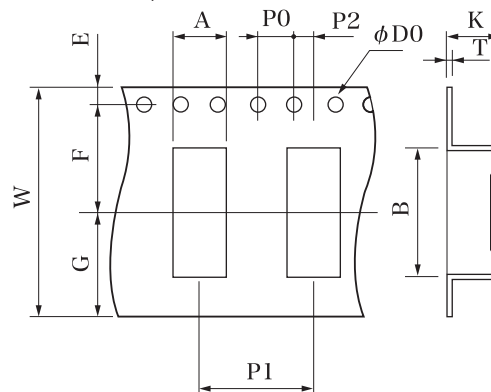
All dimensions are measured in inches (millimeters)

## Tape shape & dimensions

10 □ -1A TYPE



1D-14 □, 1D-12 □ TYPE

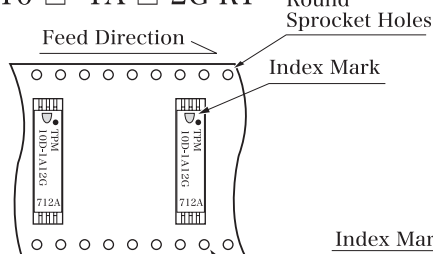


PKG Type	W	A	B	E	F	G	P <sub>0</sub>
10□-1A Type	1.26 <sup>+0.012</sup> (32.0)	0.2 <sup>+0.004</sup> (5.0)	0.82 <sup>+0.006</sup> (20.9)	0.07 <sup>+0.004</sup> (1.8)	0.56 <sup>+0.004</sup> (14.2)	1.118 <sup>+0.012</sup> (28.4)	0.157 <sup>+0.004</sup> (4.0)
1D-14J Type	0.94 <sup>+0.012</sup> (24.0)	0.2 <sup>+0.004</sup> (5.0)	0.43 <sup>+0.005</sup> (10.8)	0.069 <sup>+0.004</sup> (1.75)	0.45 <sup>+0.004</sup> (11.5)	0.42 (10.75)	0.157 <sup>+0.004</sup> (4.0)
1D-14G Type 1D-12G Type	0.94 <sup>+0.012</sup> (24.0)	0.2 <sup>+0.004</sup> (5.0)	0.52 <sup>+0.006</sup> (13.2)	0.069 <sup>+0.004</sup> (1.75)	0.45 <sup>+0.004</sup> (11.5)	0.42 (10.75)	0.157 <sup>+0.004</sup> (4.0)

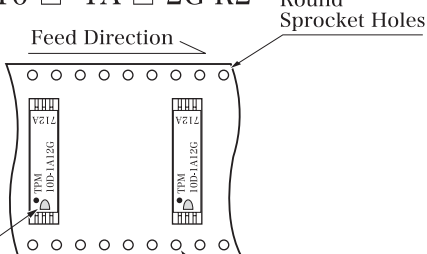
PKG Type	P <sub>1</sub>	P <sub>2</sub>	D <sub>0</sub>	D <sub>1</sub>	D <sub>2</sub>	K	T
10□-1A Type	0.94 <sup>+0.004</sup> (24.0)	0.08 <sup>+0.004</sup> (2.0)	0.059 <sup>+0.004</sup> (1.5)	0.06 (1.5)	0.07 (1.7)	0.22 <sup>+0.012</sup> (5.6)	0.016 (0.4)
1D-14J Type	0.47 <sup>+0.004</sup> (12.0)	0.08 <sup>+0.004</sup> (2.0)	0.059 <sup>+0.004</sup> (1.5)	—	—	0.216 <sup>+0.012</sup> (5.5)	0.016 (0.4)
1D-14G Type 1D-12G Type	0.47 <sup>+0.004</sup> (12.0)	0.08 <sup>+0.004</sup> (2.0)	0.059 <sup>+0.004</sup> (1.5)	—	—	0.21 <sup>+0.012</sup> (5.35)	0.016 (0.4)

## Device mounting directions

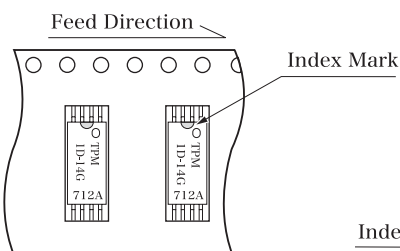
10 □ -1A □ 2G-R1



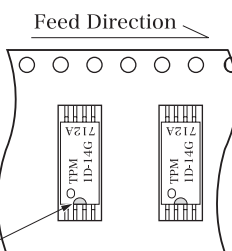
10 □ -1A □ 2G-R2



1D-14 □ -R1  
1D-12 □ -R1



1D-14 □ -R2  
1D-12 □ -R2

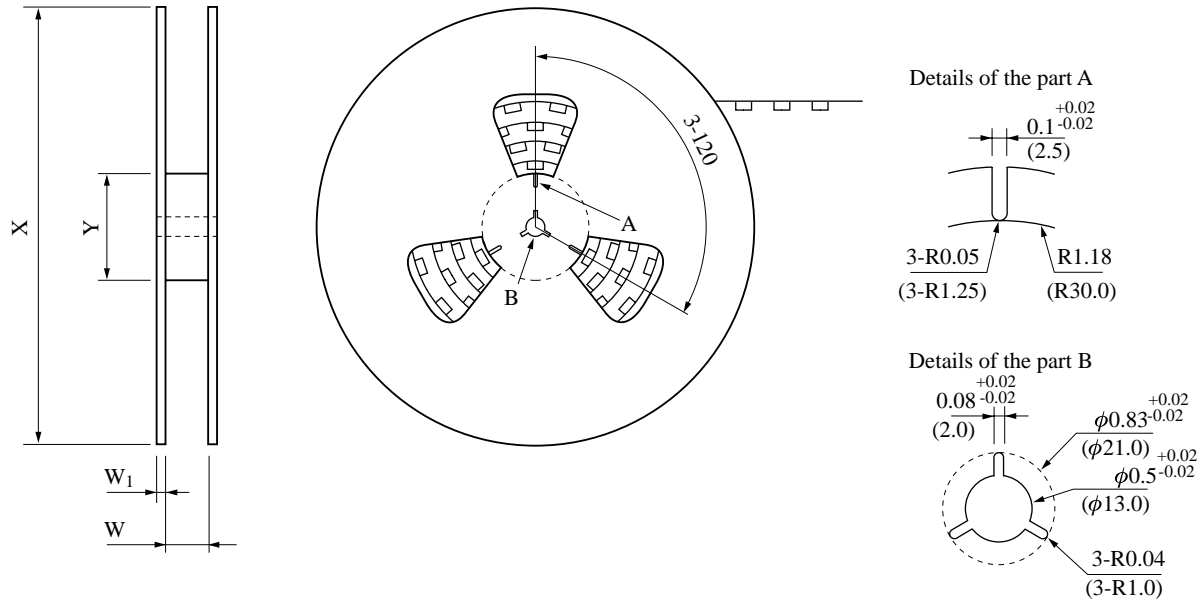


Two types of packaging (R1 & R2) are available. At the time of order, please specify the type you choose (R1 or R2), following the mention of the relay type. The packaging type (R1 or R2) is not to be imprinted on the product. Please be careful about the difference in arrangement direction between them.



**All dimensions are measured in inches (millimeters)**

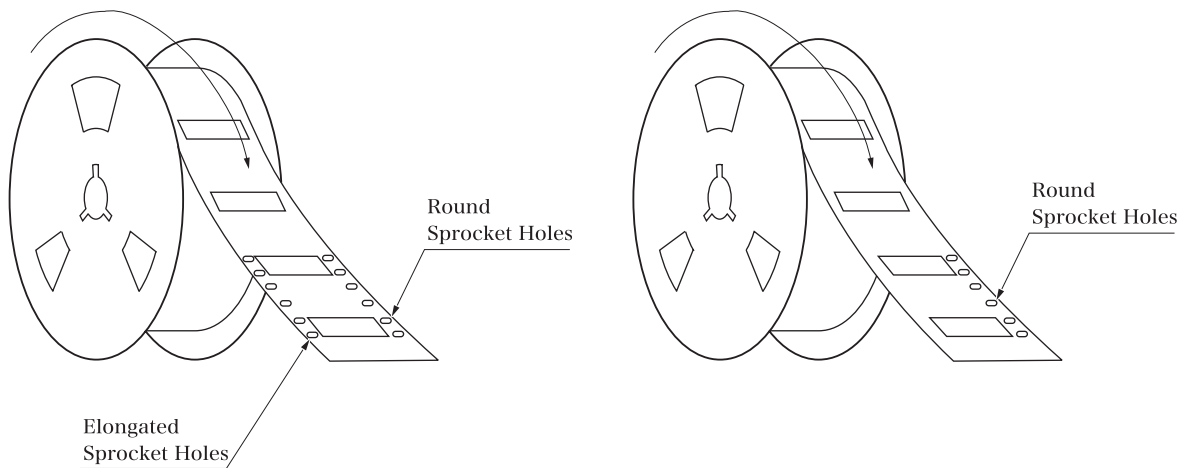
## Reel shape & dimensions



PKG Type	X	Y	W	W <sub>1</sub>	Quantity
10□-1A Type	12.6 <sup>+0.079</sup> (320)	3.15 <sup>+0.02</sup> (80)	1.28 <sup>+0.079</sup> <sub>0</sub> (32.5)	0.11 (2.8)	500
1D-14□ 1D-12□ Type	12.6 <sup>+0.079</sup> (320)	3.15 <sup>+0.02</sup> (80)	1.0 <sup>+0.035</sup> <sub>-0.043</sub> (25.4)	0.12 (3.0)	1000

(for 10 □ -1A type)

(for 1D -14 □, 1D-12 □ type)



Packaging conforms to EIA standard EIA-481-2 or EIA-481-3.

Please let our Sales Department know when the packing with tape-and-reel for 3D type and 17□ type will be needed.