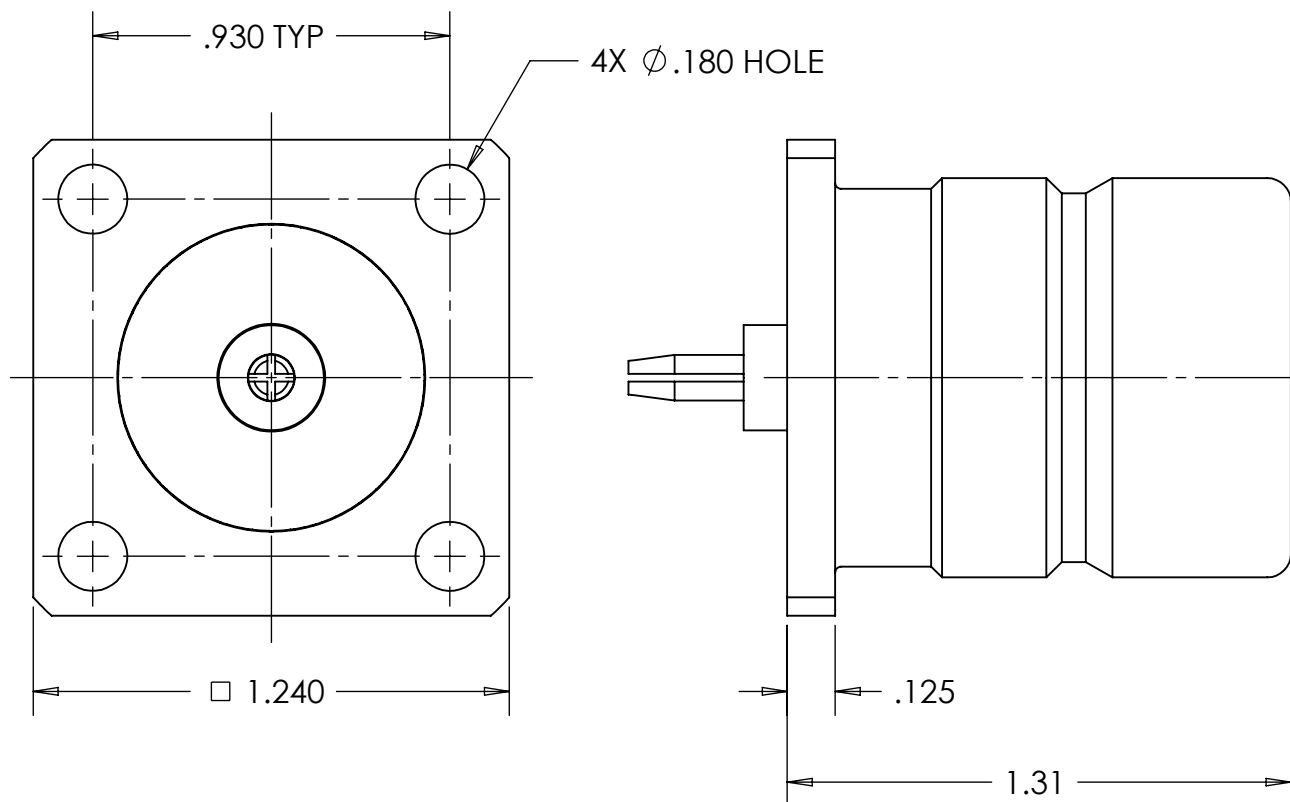
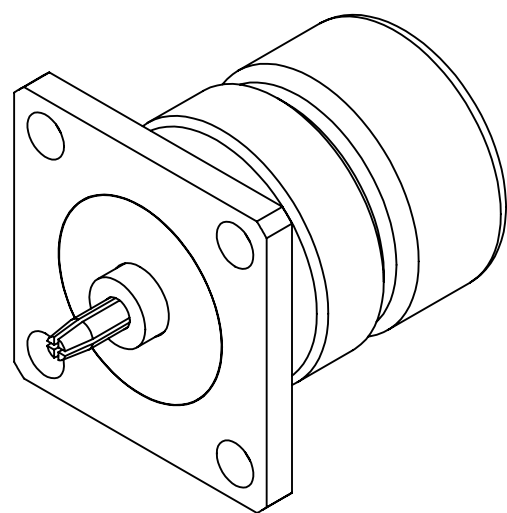


This document, including the design, configuration and mechanical features revealed herein are the sole, confidential and proprietary property of TRU Corporation. Reproduction or use thereof, in whole or part, is prohibited without the prior written consent of TRU Corporation.

REV.	DESCRIPTION	DATE	APPROVED
-	ORIGINAL ISSUE	6/26/07	WWW
A	CHANGED PER ECO-4326	03/29/13	AM



**ENGINEERING DATA:**


ELECTRICAL:  
IMPEDANCE: 50 OHMS NOMINAL

MECHANICAL:  
INTERFACE: SQS(f) PER TRU SPEC  
QC(m) PER TRU SPEC

MATERIAL:  
INSULATOR: PTFE (TEFLON) PER ASTM-D1710, I1A  
CONTACTS: BERYLLIUM COPPER C17300, TD04 (H) PER ASTM-B196  
BODY: BRASS C36000, H02 PER ASTM-B16

FINISH:  
CONTACTS: SILVER PLATED  
BODY: NICKEL PLATED

- NOTES:**
- UNLESS OTHERWISE SPECIFIED; ALL DIMENSIONS ARE REFERENCE ONLY.
  - PRODUCT COMPLIES WITH ROHS DIRECTIVE 2002/95/EC.

MATERIAL	DO NOT SCALE DRAWING	DRAWN Warren Whitten	DATE 6/25/07	 <b>TRU Corporation</b> 245 Lynnfield St, Peabody, MA 01960 <small>EXPERIENCE. TRU INNOVATION.</small>
	UNLESS OTHERWISE SPECIFIED: DIMENSIONS ARE IN INCHES	ENG APPR. AM	DATE 6/25/07	
COMMENTS:	TOLERANCES: FRACTIONS: ±1/64 .XX : ±.01 .XXX: ±.005 ANGLES: ±1/2° MACHINED SURFACES: 63/√	MFG APPR.	DATE	TITLE: CONNECTOR, COAXIAL, RF SQS(f) to QC(m) ADAPTER
		OTHER APPR.	DATE	
surface area: sq inch	weight: lbs	THIRD ANGLE PROJECTION		SIZE <b>B</b> DWG. NO. TRU-15020 REV <b>A</b>
				CAGE CODE: 92180 SCALE: 2:1 SHEET 1 OF 1