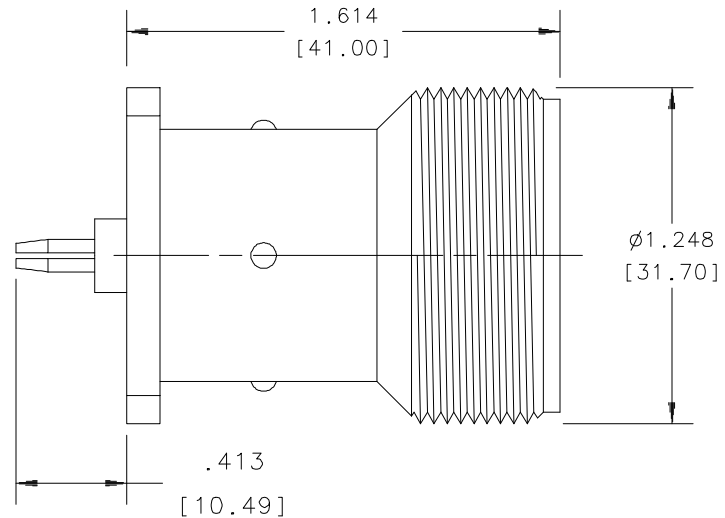
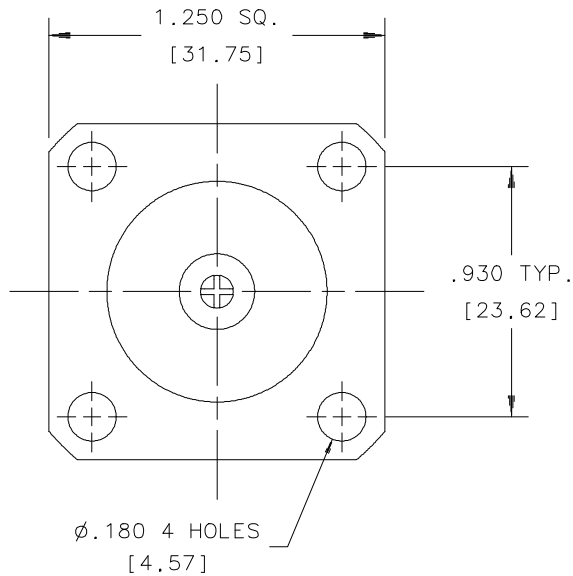
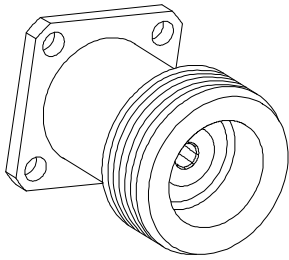


This document, including the design, configuration and mechanical features revealed herein are the sole, confidential and proprietary property of Tru-Connector Corporation. Reproduction or use thereof, in whole or part, is prohibited without the prior written consent of Tru-Connector Corporation.

REV	DESCRIPTION	DATE	APPROVAL
/	ORIGINAL ISSUE	8-27-97	RMK
A	CHANGED PER ECO 2233	4-16-03	



NOTES:

- CONTACT & INSULATOR ARE CAPTIVE BOTH RADIALLY & AXIALLY WITHIN CONNECTOR BODY.
- CONNECTOR SUPPLIED WITH PROTECTIVE CAP.

Material:

BODY - BRASS
 CONTACT - BERYLLIUM COPPER
 INSULATOR - TEFLON

FINISH:

BODY - NICKEL PLATED
 CONTACT - SILVER PLATED

UNLESS OTHERWISE SPECIFIED:

DIMENSIONS ARE IN INCHES
 CHAMFER FIRST THREAD 45°
 DIMENSIONS BEFORE PLATING

TOLERANCES:
 FRACTIONS: ±1/64
 .XX: ±.01
 .XXX: ±.005
 ANGLES: ±1/2°
 MACHINED SURFACES 63 ✓

THIRD ANGLE PROJECTION

DRAWN BY	WWW	DATE	8-27-97
ENG APPROVAL	RMK	DATE	8-27-97
MFG APPROVAL		DATE	
OTHER APPROVAL		DATE	

REFERENCE



TRU-CONNECTOR CORPORATION
 245 LYNNFIELD STREET
 PEABODY, MASSACHUSETTS

TITLE			
CONNECTOR, COAXIAL, RF SERIES: QC(m) - LC(f) ADAPTER, STRAIGHT			
SIZE	CAGE CODE	DWG NO.	REV
A	92180	TRU-4491	A
CAD FILE: SERIES QC/ADAPTER		SCALE 1.5 X	SHEET 1 of 1