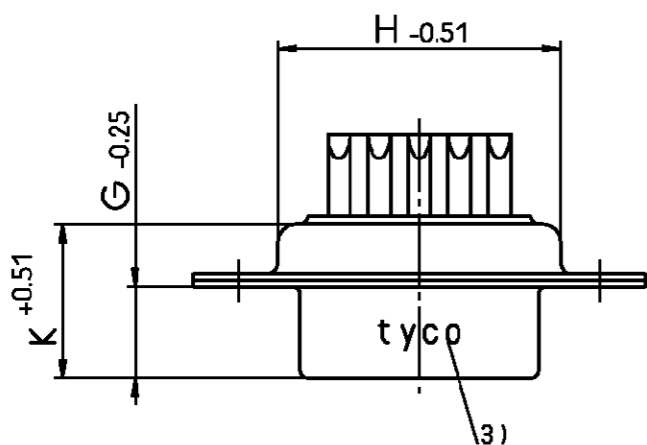
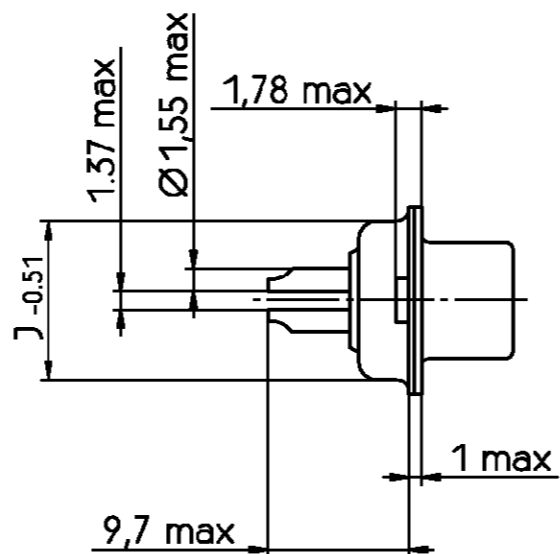
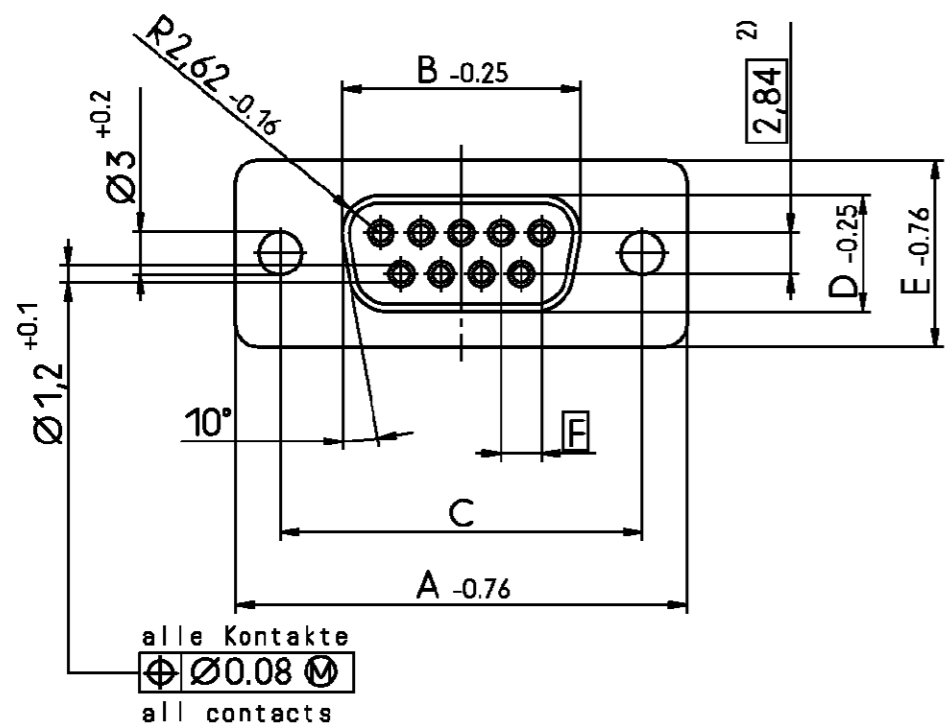


THIS INFORMATION IS CONFIDENTIAL AND PROPRIETARY TO TYCO ELECTRONICS CORPORATION AND ITS WORLDWIDE SUBSIDIARIES AND AFFILIATES. IT MAY NOT BE DISCLOSED TO ANYONE, OTHER THAN TYCO ELECTRONICS PERSONNEL, WITHOUT WRITTEN AUTHORIZATION FROM TYCO ELECTRONICS CORPORATION, HARRISBURG PENNSYLVANIA USA

PROPRIETARY:

Standardausführung: V42254-A1115-B***
standard version: V42254-A1117-B***



Sachnr. order code V42254-A111*-	Polzahl no. of contacts	dimension Maß	A	B	C	D	E	F	G	H	J	K
B*09	09		31.19	16.46	25.0 ± 0.12 -0.13	8.02	12.93	2.74	6.3	19.53	10.97	10.64
B*15	15		39.52	24.79	33.3 ± 0.15 -0.1	8.02	12.93	2.74	6.3	27.76	10.97	10.64
B*25	25		53.42	38.5	47.04 ± 0.13 -0.13	8.02	12.93	2.76	6.3	41.53	10.97	10.64
B*37	37		69.7	54.96	63.5 ± 0.13 -0.13	8.02	12.93	2.76	6.3	57.96	10.97	10.64
B*50	50 ²⁾		67.31	52.55	61.1 ± 0.14 -0.11	10.87	15.75	2.76	6.3	55.58	13.82	10.64

Anforderungsstufe¹⁾
 performance level

dargestellt wird die 9-polige Ausführung
 drawn is the 9-contacts version

- 1) nach DIN 41652 T.2 und T.4
- 2) Bemerkung: 50-polig: dreireihig
- 3) Beschriftung nicht bei V42254-A1117-B***
und V42254-A1118-B***

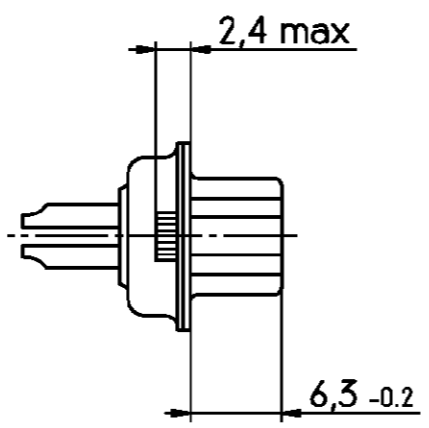
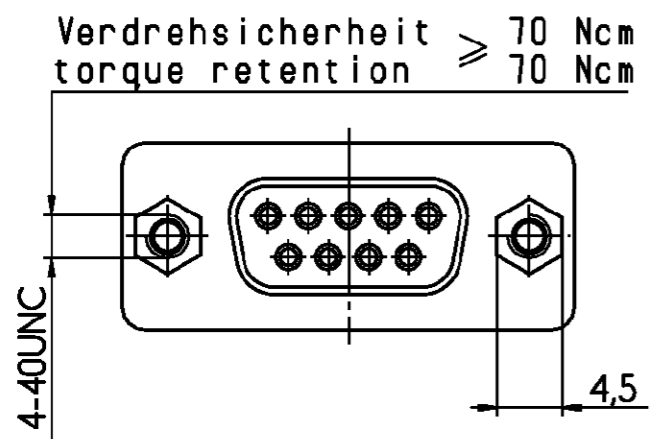
- 1) according to DIN 41652 p.2 and p.4
- 2) remark: 50-contacts version: 3 contact rows
- 3) no marking for V42254-A1117-B***
and V42254-A1118-B***

tyco		TYCO ELECTRONICS CORPORATION		SCALE 2:1		WEIGHT	
Electronics		OOSTKAMP - BELGIUM		DIMENSIONS IN MM		MATERIAL	
DATE 28.02.90		NAME Embo		PART NAME			
DEP. PD Com		TOLERANCE UNLESS SPECIFIED OTHERWISE		D-Sub soldering lugs female connector Sub-D Lötösen Buchsenleiste			
A	WO01/7016	22 NOV 00	KV	PART NO.			
02	WO 99/4529	06.07.99	RSt	V42254-A1***-B***-*-7427			
01		04.04.91	RSt	SHT. 1+			
52		02.04.91	RSt	OF 4			
51		28.02.90	E				
REV.	CHANGE ORDER	DATE	APP.	Customer drawing number: C 1-1393483-9			

THIS INFORMATION IS CONFIDENTIAL AND PROPRIETARY TO TYCO ELECTRONICS CORPORATION AND ITS WORLDWIDE SUBSIDIARIES AND AFFILIATES. IT MAY NOT BE DISCLOSED TO ANYONE, OTHER THAN TYCO ELECTRONICS PERSONNEL, WITHOUT WRITTEN AUTHORIZATION FROM TYCO ELECTRONICS CORPORATION, HARRISBURG PENNSYLVANIA USA

PROPRIETARY:

mit Gewindebolzen: V42254-A1116-B***
 with stud bolt screwlock: V42254-A1118-B***

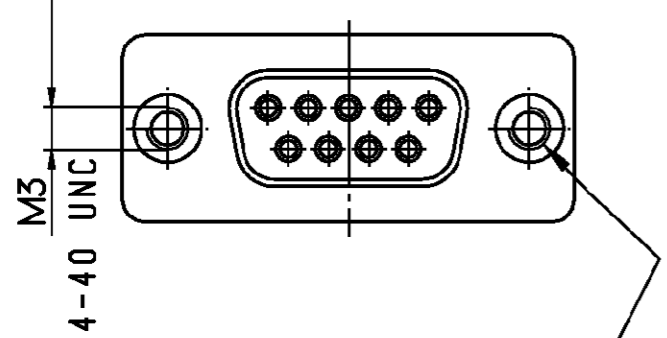


mit Gewindeeinsätze:
 with thread:

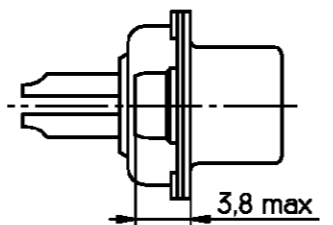
M3: V42254-A1114-B***

4-40UNC: V42254-A1112-B***

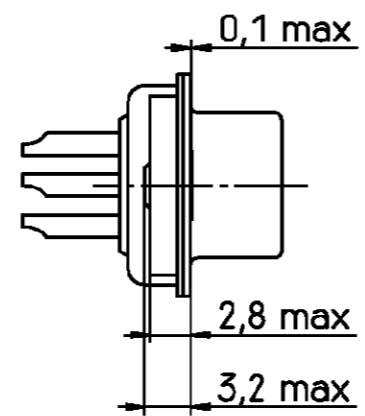
Verdrehsicherheit ≥ 80 Ncm
torque retention ≥ 80 Ncm



mit Stop-Mutter (für 9-, 15-, 25- u. 37-pol Ausführung):
 with self-locking nut (for 9-, 15-, 25- and 37-contacts version):



mit Gewindeeinsatz (nur für 50-pol. Ausführung):
 with thread insert (only for 50-contacts version):



Gewinde thread	Farbe des Klemnteils colour of locking ring
M3	Schwarz // black
UNC4-40	Blau // blue

dargestellt wird die 9-polige Ausführung
 drawn is the 9-contacts version

tyco TYCO ELECTRONICS CORPORATION		SCALE 2:1		WEIGHT	
OOSTKAMP - BELGIUM		DIMENSIONS IN MM		MATERIAL	
DATE 28.02.90		PART NAME		D-Sub soldering lugs	
NAME Embo		PART NO.		Sub-D Lötösen	
DEP. PD Com		Customer drawing number: C 1-1393483-9		Sub-D Lötösen	
TOLERANCE UNLESS SPECIFIED OTHERWISE		REV. CHANGE ORDER		SHT. 2+	
DATE 28.02.90		APP.		OF 4	

PROPRIETARY: THIS INFORMATION IS CONFIDENTIAL AND PROPRIETARY TO TYCO ELECTRONICS CORPORATION AND ITS WORLDWIDE SUBSIDIARIES AND AFFILIATES. IT MAY NOT BE DISCLOSED TO ANYONE, OTHER THAN TYCO ELECTRONICS PERSONNEL, WITHOUT WRITTEN AUTHORIZATION FROM TYCO ELECTRONICS CORPORATION, HARRISBURG PENNSYLVANIA USA

V 4 2 2 5 4 - A 1 * * * - B * * *

Anschlußausführung // connection type
 1 Lötöse // soldering lugs



Anschlußoberfläche / Raster // connection surface / center spacing
 1 verzinkt / 2.76 x 2.84 // tinned / 2.76 x 2.84

Steckverbinderunterscheidung // connector type				
	verzinkt tinned	mit tyco Beschriftung auf Blechteil with tyco marking on the shell	mit Gewinde- einsatz with thread	mit Gewinde- bolzen with stud bolt screwlock
2	Ja // yes	Ja // yes	Ja // yes 4-40UNC	nein // no
4	Ja // yes	Ja // yes	Ja // yes M3	nein // no
5	Ja // yes	Ja // yes	nein // no	nein // no
6	OBSOLETE Ja // yes	Ja // yes	nein // no	Ja // yes 4-40UNC
7	OBSOLETE Ja // yes	nein // no	nein // no	nein // no
8	OBSOLETE Ja // yes	nein // no	nein // no	Ja // yes 4-40UNC

Polzahl - Gehäusegröße // no. of contacts / size	
09	9-polig - Gehäusegröße 1 // 9-contacts / size 1
15	15-polig - Gehäusegröße 2 // 15-contacts / size 2
25	25-polig - Gehäusegröße 3 // 25-contacts / size 3
37	37-polig - Gehäusegröße 4 // 37-contacts / size 4
50	50-polig - Gehäusegröße 5 // 50-contacts / size 5

Kontaktfläche / Kontaktart // contact surface / contact type	
1	Anforderungsstufe 1 / gerollte Kontakte // performance level I / rolled contacts
2	Anforderungsstufe 2 / gerollte Kontakte // performance level II / rolled contacts

Steckerart // connector type
 B Buchsenleiste // female connector

APPLICABLE SPEC.:				FINISH		
 TYCO ELECTRONICS CORPORATION OOSTKAMP - BELGIUM				DIMENSIONS APPLY		PLATING
				SCALE	WEIGHT	
 DIMENSIONS IN MM				MATERIAL		
DATE 28.02.90 NAME Embo DEP. PD Com EC				PART NAME D-Sub soldering lugs female connector Sub-D Lötösen Buchsenleiste		
A WO01/7016 22 NOV 00 KV 02 WO99/4529 06.07.99 RSt 01 04.04.91 RSt				PART NO. V42254-A1***-B***-*-7427		SHT. 3+
REV. CHANGE ORDER DATE APP.				Customer drawing number: C 1-1393483-9 OF 4		

Active part numbers. Contact Tyco Electronics for other configuration availability

Old Part Number	Tyco Part Number
V42254-A1112-B209	1-1393483-9
V42254-A1112-B215	2-1393483-0
V42254-A1112-B225	2-1393483-1
V42254-A1112-B237	2-1393483-2
V42254-A1112-B250	1393740-3
V42254-A1114-B209	2-1393483-6
V42254-A1114-B215	2-1393483-7
V42254-A1114-B225	2-1393483-8
V42254-A1114-B250	1393740-5
V42254-A1115-B109	3-1393483-6
V42254-A1115-B125	3-1393483-7
V42254-A1115-B209	3-1393483-8
V42254-A1115-B215	3-1393483-9
V42254-A1115-B225	4-1393483-0
V42254-A1115-B237	4-1393483-1
V42254-A1115-B250	1393740-7

THIS INFORMATION IS CONFIDENTIAL AND PROPRIETARY TO TYCO ELECTRONICS CORPORATION AND ITS WORLDWIDE SUBSIDIARIES AND AFFILIATES. IT MAY NOT BE DISCLOSED TO ANYONE OTHER THAN TYCO ELECTRONICS PERSONNEL, WITHOUT WRITTEN AUTHORIZATION FROM TYCO ELECTRONICS CORPORATION, HARRISBURG, PENNSYLVANIA USA.

tyco Electronics		TYCO ELECTRONICS CORPORATION Oostkamp - Belgium		SCALE	WEIGHT
		LOC GW		MATERIAL	
DATE 28.02.90		DIMENSIONS IN MM		PART NAME	
NAME Embo				D-Sub soldering lugs female connector	
DEP. PD Com				Sub-D Lötösen Buchsenleiste	
TOLERANCE UNLESS SPECIFIED OTHERWISE				PART NO.	
22 NOV 00 KV				V42254-A1***-B***-*-7427	
REV. CHANGE ORDER	DATE	APP.	Customer drawing number: C 1-1393483-9	SHT.	4
1			2	3	4

PROPRIETARY: