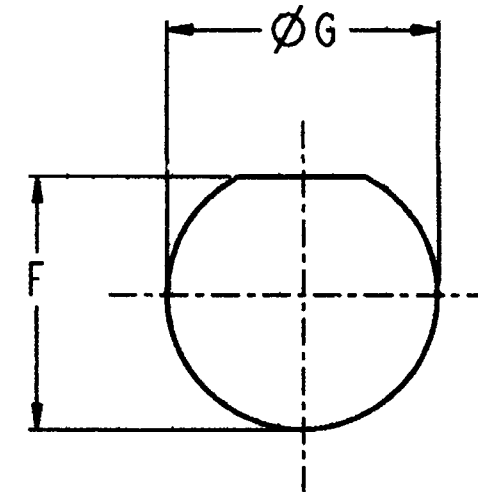
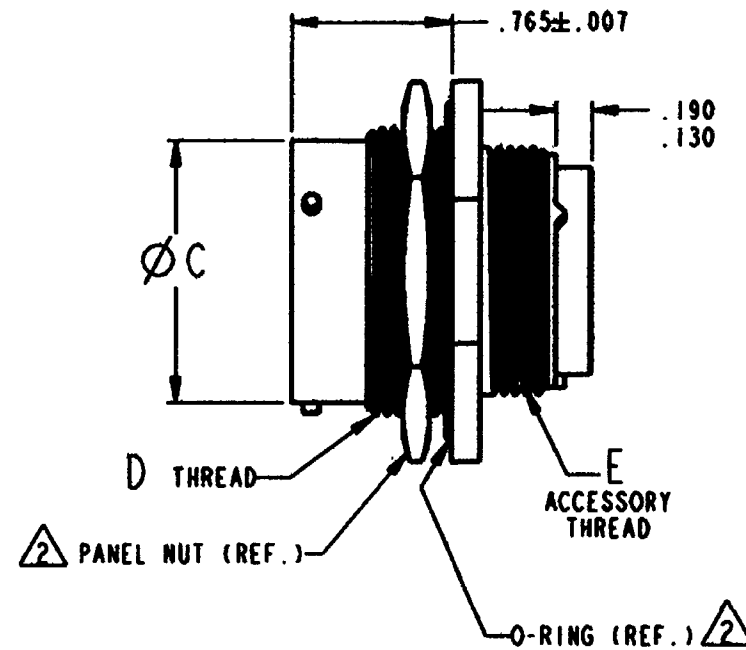
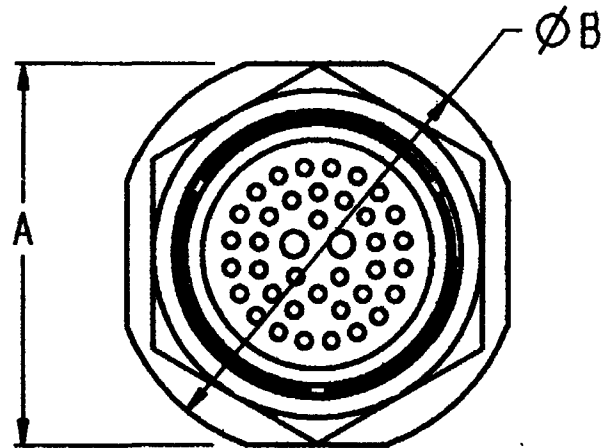


PROPERTY OF DEUTSCH E.C.D.

This drawing contains proprietary information that shall not be disclosed, duplicated, nor used in whole or in part for any purpose other than to evaluate this drawing.

D WT04*-**-**P/S*

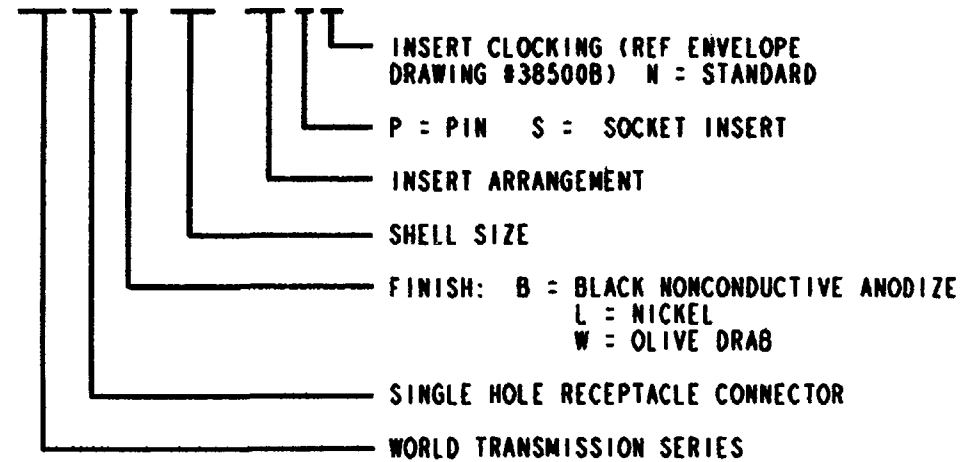
REVISIONS			
REV	DESCRIPTION	DATE	APPROVED
C	REVISED & REDRAWN PER E.O. D1295	3/19/04	T.H.
D	REVISED PER E.O. P20299	8-1-09	RDR



RECOMMENDED
PANEL CUTOUT
PANEL THICKNESS = .062-.187

PART NUMBER BREAKDOWN EXAMPLE:

WT04B-24-31SN



PART NUMBER	SHELL SIZE	A ±.000 -.025	B ±.000 -.010	C ±.001 -.005	D THREAD	E THREAD	F ±.005	G ±.005
WT04*-20-****	20	1.828	1.954	1.250	1.375-18 UNEF	1.188-18 UNEF	1.322	1.385
WT04*-24-****	24	2.078	2.203	1.500	1.625-18 UNEF	1.438-18 UNEF	1.572	1.635

3. AVAILABLE INSERT ARRANGEMENTS ARE ILLUSTRATED ON DEUTSCH INFORMATION DRAWING #0925-204-0000.

CONNECTOR IS SHIPPED LESS PANEL NUT, O-RING, BACKSHELL, CONTACTS, SEALING PLUGS, AND INSERTION/REMOVAL TOOL.

1. DIMENSIONS ARE IN INCHES UNLESS OTHERWISE SPECIFIED.

SIGNATURE & DATE	
DR	R. GROSS 11-4-94
CHK	
PC	<i>[Signature]</i>
APPD	<i>[Signature]</i>
SCALE	NONE

CONNECTOR RECEPTACLE
SINGLE HOLE MOUNTING
BAYONET COUPLING
WORLD TERMINATION SERIES
ENVELOPE

CP	
DEUTSCH	
ENGINEERED CONNECTING DEVICES	
3723 W. Whittier Ave.	
Irvine, California	
A	WT04*-**-**P/S*
112	SHEET 1 OF 1